

# 3MP Fixed Dome Network Camera

IPC3613LR3-PF28(40)-F



## Key Features

### Optics

- Day/night functionality
- Smart IR, up to 30m (98ft) IR distance
- 2D/3D DNR (Digital Noise Reduction)

### Compression

- Ultra 265, H.265, H.264
- ROI (Region of Interest)

### Network

- ONVIF Conformance

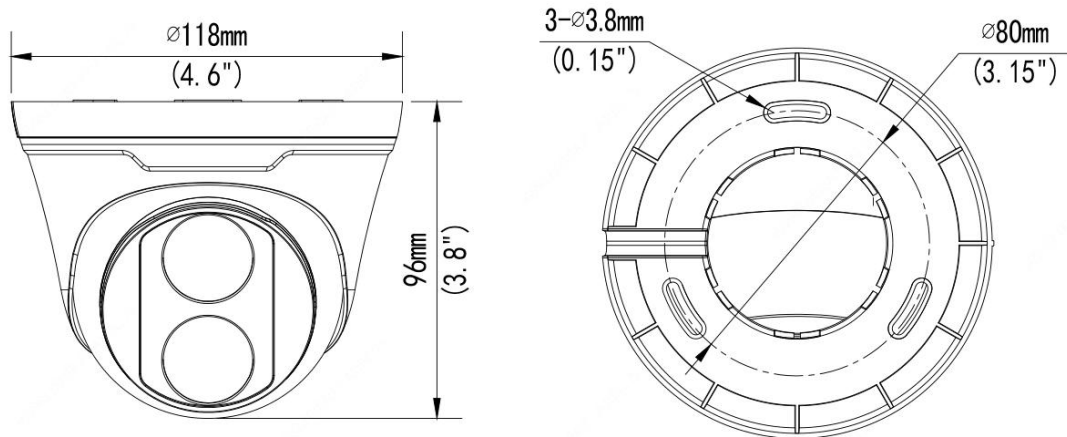
### Structure

- Wide temperature range: -30°C ~ 60°C (-22°F ~ 140°F)
- Wide voltage range of  $\pm 25\%$
- IP67
- 3-Axis

## Specifications

	IPC3613LR3-PF28-F	IPC3613LR3-PF40-F			
<b>Camera</b>					
Sensor	1/2.7", 3.0 megapixel, progressive scan, CMOS				
Lens	2.8mm@F2.0		4.0mm@F2.0		
DORI Distance	Lens (mm)	Detect (m)	Observe (m)	Recognize (m)	Identify (m)
	2.8	50.4	20.2	10.1	5.0
	4.0	72	28.8	14.4	7.2
Angle of view (H)	113.1°		86.9°		
Angle of View (V)	60.6°		44.5°		
Angle of View (O)	139.1°		106.9°		
Shutter	Auto/Manual, 1 ~ 1/100000s				
Adjustment angle	Pan: 0° ~ 360°		Tilt: 0° ~ 80°		Rotate: 0° ~ 360°
Min. Illumination	Colour: 0.01Lux (F2.0, AGC ON) 0Lux with IR				
Day/Night	IR-cut filter with auto switch (ICR)				
Digital noise reduction	2D/3D DNR				
S/N	>52dB				
IR Range	Up to 30m (98ft) IR range				
WDR	DWDR				
<b>Video</b>					
Video Compression	Ultra 265, H.265, H.264				
H.264 code profile	Baseline profile, Main Profile, High Profile				
Frame Rate	Main Stream: 3MP (2304*1296), Max 20fps; Sub Stream: 4CIF (704*576), Max 20fps Third Stream: CIF (352*288), Max 20fps				
HLC	Supported				
BLC	Supported				
OSD	Up to 8 OSDs				
Privacy Mask	Up to 4 areas				
ROI	Up to 8 areas				
Motion Detection	Up to 4 areas				
<b>Network</b>					
Protocols	IPv4, IGMP, ICMP, TCP, UDP, DHCP, RTP, RTSP, RTCP, DNS, DDNS, NTP, UPnP, HTTP				
Compatible Integration	ONVIF (Profile S, Profile T),API				
<b>Interface</b>					
Network	10/100M Base-TX Ethernet				
<b>General</b>					
Power	DC 12V±25%, PoE (IEEE 802.3af)				
	Power consumption: Max 4W				
Dimensions (Ø x H)	Ø118 x 96mm (Ø4.6" x 3.8")				
Weight	0.3kg (0.66lb)				
Working Environment	-30°C ~ 60°C (-22°F ~ 140°F), Humidity: ≤95% RH (non-condensing)				

## Dimensions



### Zhejiang Uniview Technologies Co., Ltd.

Building No.10, Wanlun Science Park, Jiangling Road 88, Binjiang District, Hangzhou, Zhejiang, China (310051)

Email: [overseasbusiness@uniview.com](mailto:overseasbusiness@uniview.com); [globalsupport@uniview.com](mailto:globalsupport@uniview.com)

<http://www.uniview.com>

©2019 Zhejiang Uniview Technologies Co., Ltd. All rights reserved.

\*Product specifications and availability are subject to change without notice.