

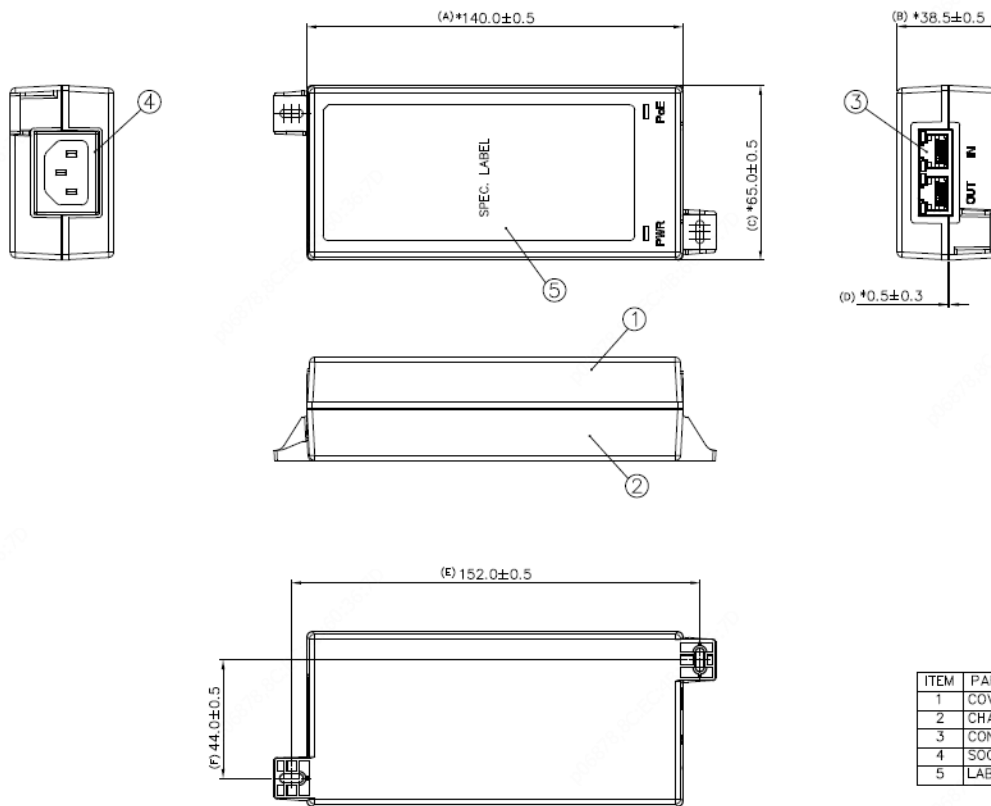
PWR-DC5612-P@NB 65W PSE



Specifications

PSE	PWR-DC5612-P@NB
INPUT	AC 100-240V~ 50/60Hz 2AMax
OUTPUT	DC 56V/1.16A
Protection/Environmental	
Protection	Output over current protection: 2A Short circuit protection (Yes)
	Surge protection power input port meets EN 61000-4-5 L-N ±6KV L,N-PE ±6KV Pluses Per polarity: 5 each, Angel: random, Generator impedance: 2ohm, Criterion B
Enviromental	
Storage Temperature	-25°C~65°C(-13°F~149°F)
Operating Temperature	-20°C~60°C(-4°F~140°F)
Working humidity	5% to 90%, non-condensing.
Physical Properties	
Weight	275g(0.61lb)
Dimension(LxWxH)	140mmx65mmx38mm(5.46"x2.54"x1.48")
Installation mode	Plane installation
Color	Black
Input plug	3-pin plug
Power Out Pin	Endspan 1.2(+),3.6(-)Midspan 4.5(+),7.8(-)
Output plug	RJ45
Safety Standards	
Certification	UL, CE, CCC, IEC/UL/EN 60950 and 62368.

Dimensions



ITEM	PART NAME	COLOR
1	COVER	BLACK
2	CHASSIS	BLACK
3	CONNECTOR(RJ45)	NATURAL
4	SOCKET	BLACK
5	LABEL	BLACK

Zhejiang Uniview Technologies Co.,Ltd.

South Tower, Building 10, Wanlun Science Park, 88 Jiangling Road, Hangzhou, P.R.China 310051

Email: overseasbusiness@uniview.com; globalsupport@uniview.com

<http://www.uniview.com>

©2020 Zhejiang Uniview Technologies Co.,Ltd. All rights reserved.

*Product specifications and availability are subject to change without notice.