



Network Speed Dome & PTZ Camera

Quick Start Guide






Foreword

General

This manual introduces the installation and operations of network camera. Read carefully before using the device, and keep the manual safe for future reference.

Safety Instructions

The following signal words might appear in the manual.

Signal Words	Meaning
 WARNING	Indicates a medium or low potential hazard which, if not avoided, could result in slight or moderate injury.
 CAUTION	Indicates a potential risk which, if not avoided, could result in property damage, data loss, reductions in performance, or unpredictable result.
 NOTE	Provides additional information as a supplement to the text.

Revision History

Version	Revision Content	Release Time
V1.0.0	First release.	December 2023

Privacy Protection Notice

As the device user or data controller, you might collect the personal data of others such as their face, audio, fingerprints, and license plate number. You need to be in compliance with your local privacy protection laws and regulations to protect the legitimate rights and interests of other people by implementing measures which include but are not limited: Providing clear and visible identification to inform people of the existence of the surveillance area and provide required contact information.

About the Manual

- The manual is for reference only. Slight differences might be found between the manual and the product.
- We are not liable for losses incurred due to operating of the product in ways that are not in compliance with the manual.
- The manual will be updated according to the latest laws and regulations of related jurisdictions. For detailed information, see the paper User Manual, use our CD-ROM, scan the QR code or visit our official website. The manual is for reference only. Slight differences might be found between the electronic version and the paper version.
- All the designs and software are subject to change without prior written notice. Product updates might result in some differences appearing between the actual product and the manual. Please contact customer service for the latest program and supplementary documentation.

- There might be deviations in the description of the technical data, functions and operations, or errors in the print. If there is any doubt or dispute, we reserve the right of final explanation.
- Upgrade the reader software or try other mainstream reader software if the manual (in PDF format) cannot be opened.
- All trademarks, registered trademarks and the company names in the manual are the properties of their respective owners.
- Please visit our website, contact the supplier or customer service if any problems occur while using the device.
- If there is any uncertainty or controversy, we reserve the right of final explanation.

Important Safeguards and Warnings

The manual will help you to use the camera properly. Read the manual carefully before using the camera, and keep it well for future reference.

Transportation Requirements



Do not place heavy stress on the camera, violently vibrate or immerse it in liquid during transportation.

Storage Requirements



Do not place heavy stress on the camera, violently vibrate or immerse it in liquid during storage.

Installation Requirements



- Do not place the camera in humid, dusty, extremely hot or cold sites with corrosive gas, strong electromagnetic radiation or unstable illumination.
- Do not place heavy stress on the camera, violently vibrate or immerse it in liquid during storage.

Operating Requirements



Battery Pack Precautions

Preventive measures (including but not limited to):

- Do not transport, store or use the batteries in high altitudes with low pressure and environments with extremely high and low temperatures.
- Do not dispose the batteries in fire or a hot oven, or mechanically crush or cut the batteries to avoid an explosion.
- Do not leave the batteries in environments with extremely high temperatures to avoid explosions and leakage of flammable liquid or gas.
- Do not subject the batteries to extremely low air pressure to avoid explosions and the leakage of flammable liquid or gas.



- Use the device under allowed humidity and temperature conditions. The operating temperature of the camera ranges from 0°C to 50°C.
- Do not aim the camera at strong light sources (such as lamplight, and sunlight) when focusing it.

- Do not let any liquid flow into the device to avoid damage to internal components.

Maintenance Requirements



Replacing unwanted batteries with the wrong type of new batteries might result in explosion.

Preventive measures (including but not limited to):

- Replace unwanted batteries with new batteries of the same type and model to avoid the risk of fire and explosion.
- Dispose of the old batteries as instructed.



- Do not dismantle the device. It can only be repaired by qualified professionals.
- The dome cover is an optical component. When it is contaminated with dust, grease, or fingerprints, use degreasing cotton moistened with a little ether or a clean soft cloth dipped in water to gently wipe it clean. An air gun is useful for blowing dust away.

Table of Contents

Foreword.....	I
Important Safeguards and Warnings.....	III
1 Operating with DMSS.....	1
2 Installation.....	3
2.1 Packing List.....	3
2.2 Dimensions.....	4
2.3 Installation the Camera.....	4
2.3.1 Arouse Button and Reset Button.....	4
2.3.2 SIM Card and SD Card.....	5
2.3.3 Wall Mount.....	7
3 FAQ.....	10

1 Operating with DMSS

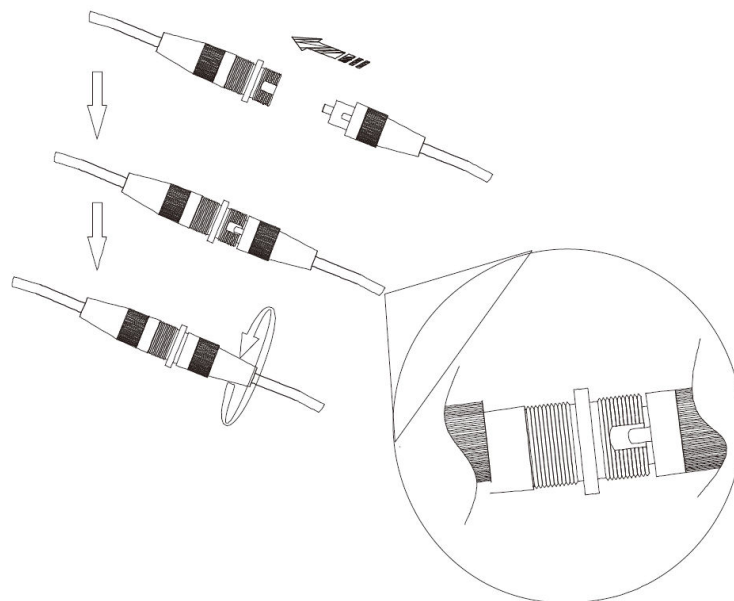
Procedure



- Make sure that there are no obstacles and electromagnetic interference between the device and the router for best possible wireless performance.
- Already created DMSS account.

Step 1 Connect cables between the camera and solar panel.

Figure 1-1 Connect cables

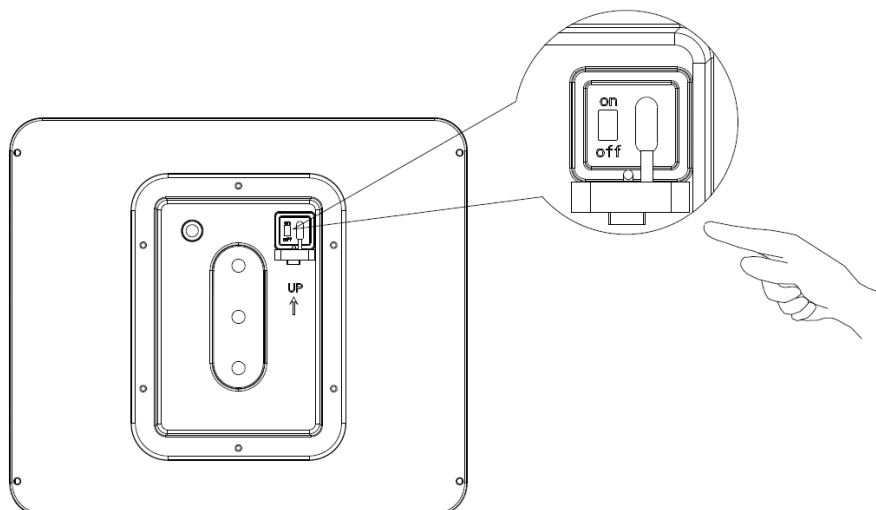


Step 2 Turn on the power switch on the back of the solar panel.



Please charge the camera for at least 4 hours before use.

Figure 1-2 Turn on the power switch

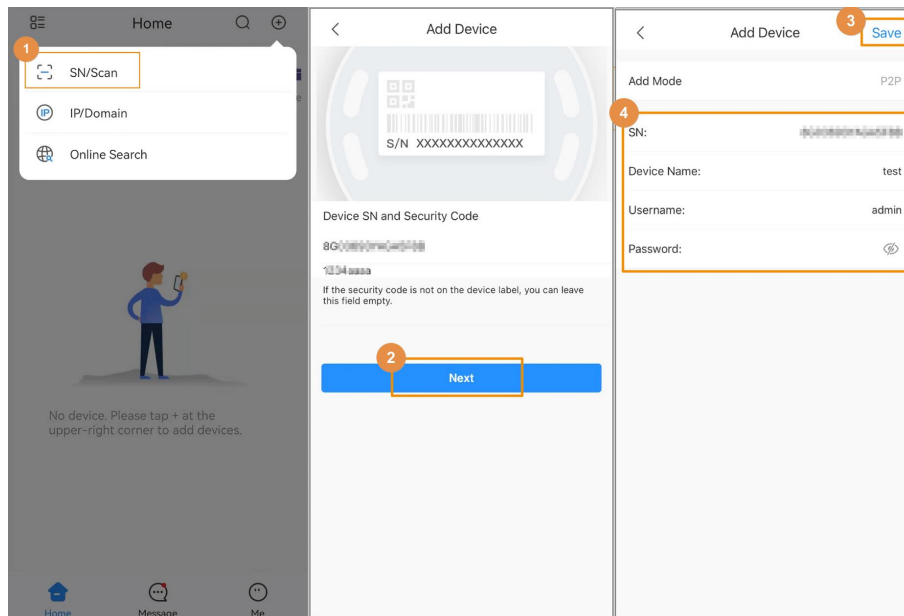


Step 3 Add the device.



Use a DMSS account to add the camera. Otherwise, some functions might not be available.

Figure 1-3 Add the device



1. Tap the + button on the upper-right corner of the DMSS home page to scan the QR code on the camera. If your DMSS fails to scan the QR code, tap **Manually enter SN** to manually enter the serial number of the camera.
2. Check the serial number and security code, and then click **Next**.
3. Create the device name, and then enter the password.



The password is the security code by default.

4. Click **Save**.

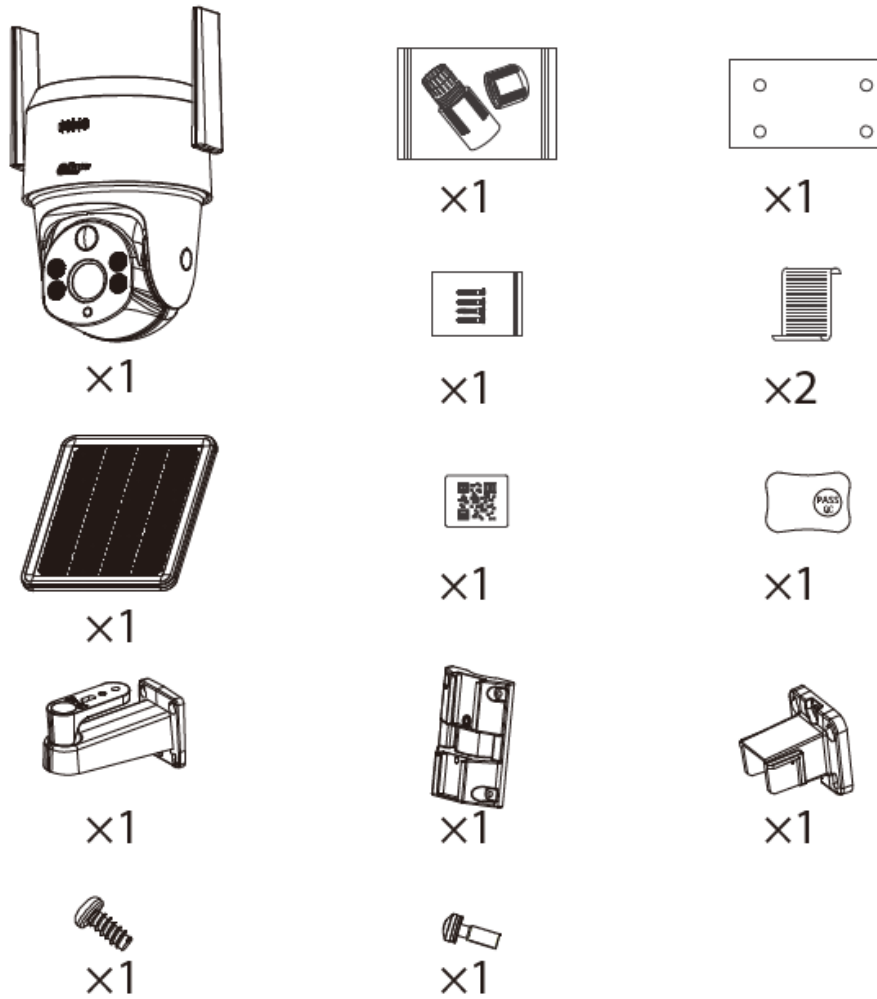
2 Installation

2.1 Packing List



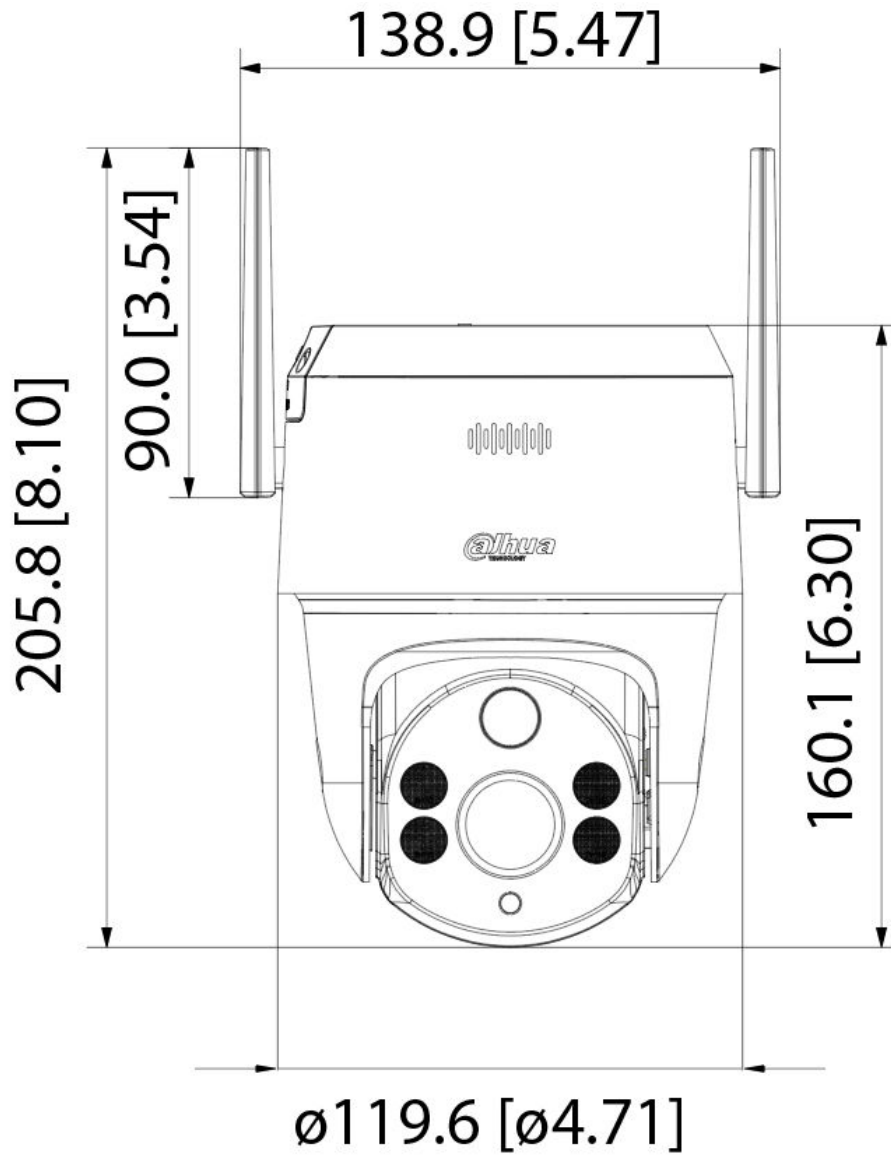
- Tools required for installation, such as the electric drill, are not included in the package.
- The operation manual and information on the tools are on the disk or the QR code.

Figure 2-1 Packing list



2.2 Dimensions

Figure 2-2 Dimensions (mm [inch])



2.3 Installation the Camera

2.3.1 Arouse Button and Reset Button



Press the arouse button before pressing the reset button to restore the camera to its default state.

Figure 2-3 Arouse button

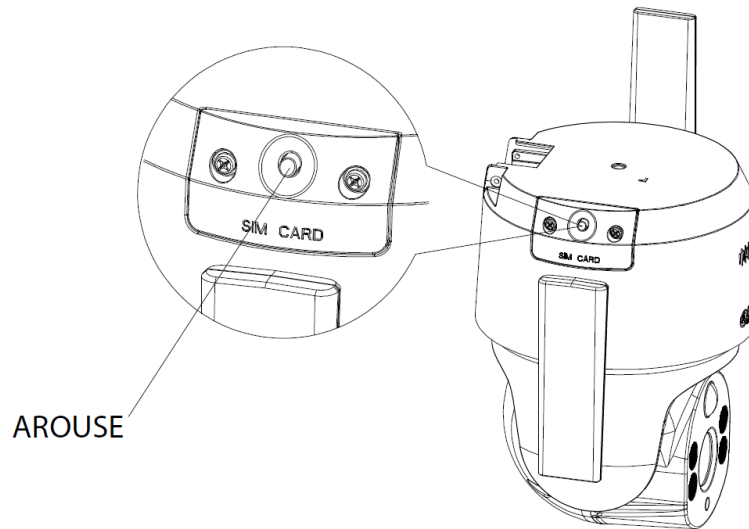
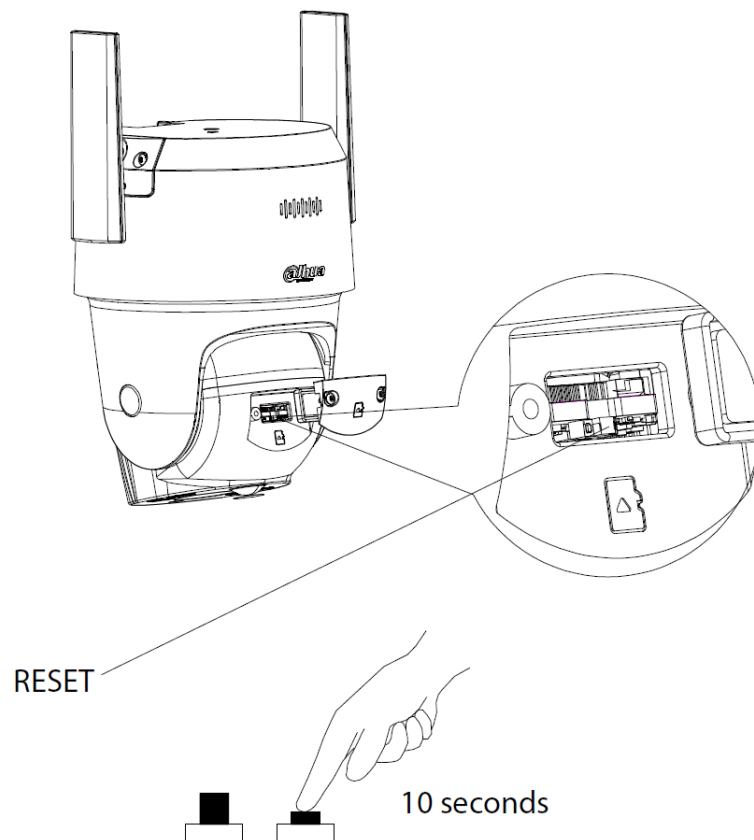


Figure 2-4 Reset button



2.3.2 SIM Card and SD Card



- Do not insert or unplug the SD card and SIM card, or frequently cut off power, to avoid damaging them.
- Cut off the power before installing or removing the SD card and SIM card.

Figure 2-5 SIM card

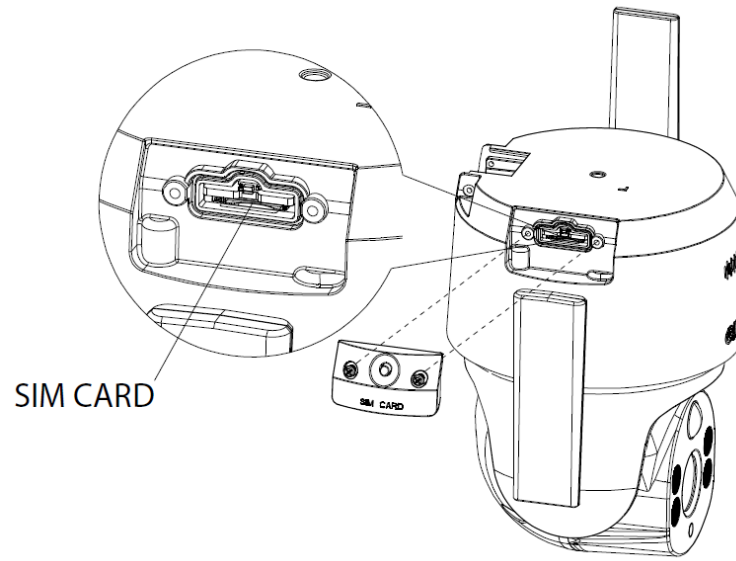
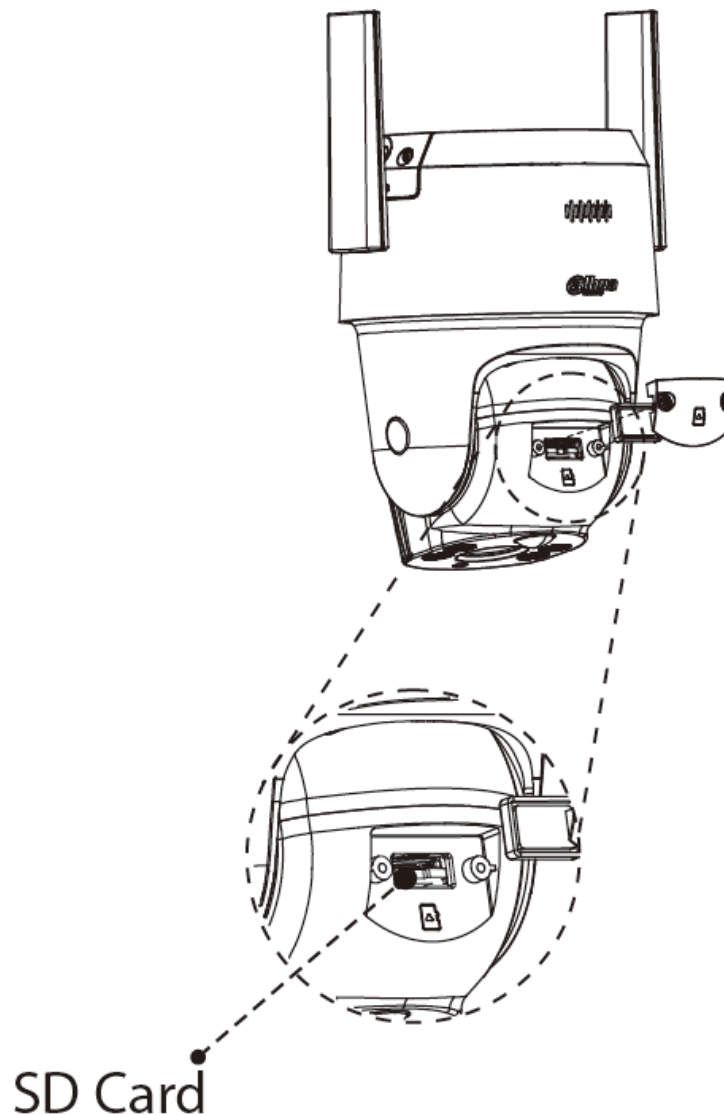


Figure 2-6 SD card




2.3.3 Wall Mount

Supports wall mount and pole mount. You can select a suitable installation method according to the actual environment. The following takes wall mount as an example.

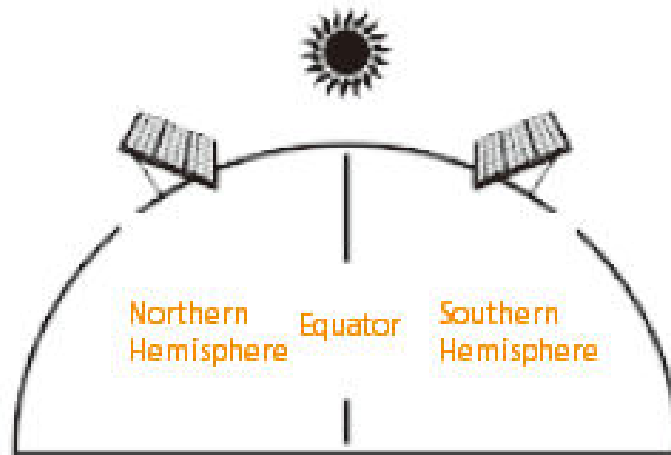
Prerequisites

Before installing the camera, install the solar panel at a proper position.

- The solar panel should be installed in an environment with sufficient sunlight throughout the year, no obstructions around, minimal strong magnetic and electrical interference, and high signal strength.
- Log in to the device webpage through a browser, click , and then select **Network** > **Cellular Network** to view the signal strength in the **Network Signal** section.
 - ◇ Excellent installation point: RSRP > -85 dB
 - ◇ Good installation point: RSRP = -85 dB to -95 dB
 - ◇ Middle installation point: RSRP = -95 dB to -105 dB

- ◇ Bad installation point: RSRP = -105 dB to -115 dB
- ◇ Terrible installation point: RSRP < -115 dB
- The installation orientation of the solar panel is due south in the northern hemisphere and due north in the southern hemisphere. The optimal installation angle for the solar panel should be the local latitude plus 0-5°, and the recommended installation angle for areas near the equator is 10°.

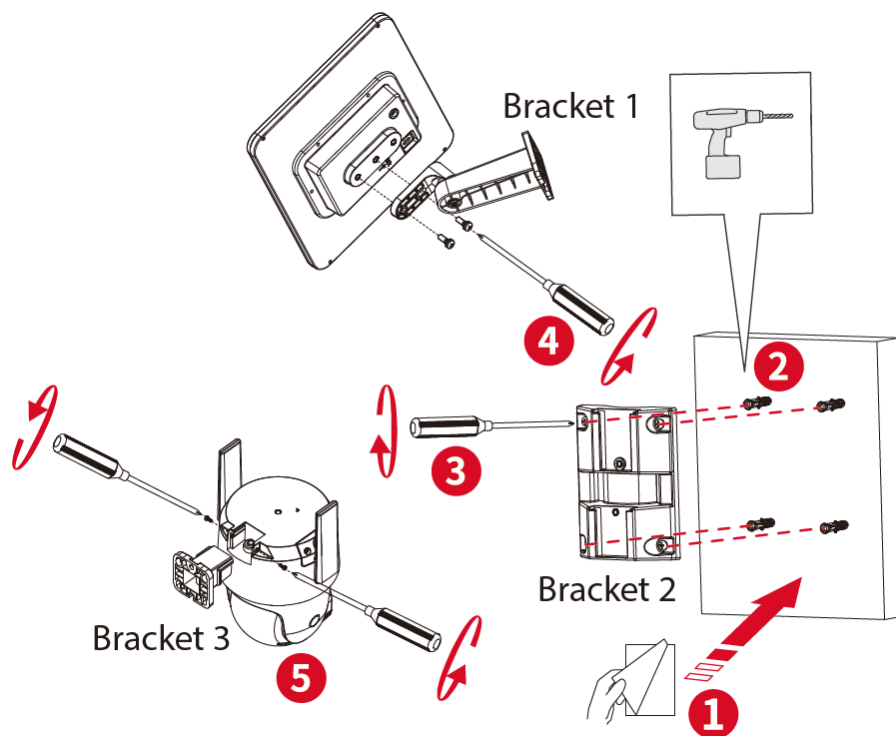
Figure 2-7 Installation orientation



Procedure

- Step 1 Stick the positioning map to an appropriate installation surface.

Figure 2-8 Wall mount (1)



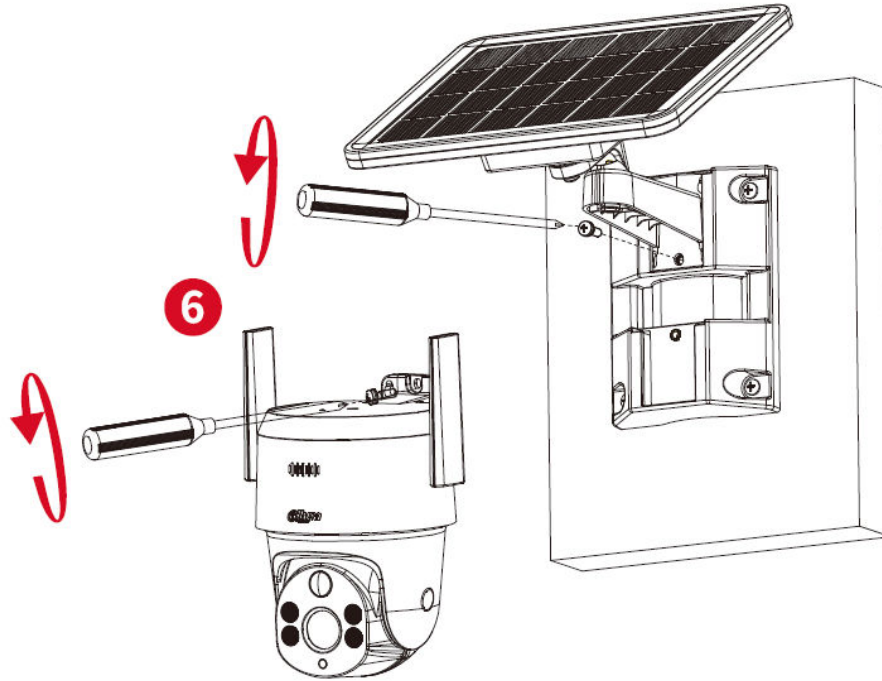
- Step 2 Drill holes according to the position of the positioning map, and then embed expansion bolts into the holes.
- Step 3 Align screws on the bracket 2 with the expansion bolts, and then use a screwdriver to tighten the screws to attach the bracket 2 to the installation surface.

- Step 4 Use M5 screws to attach the bracket 1 to the solar panel.
- Step 5 Use ST2.5 screws to attach the bracket 3 to the camera.
- Step 6 Use M5 screws to attach the pre-installed camera and solar panel to the bracket 2.



- Ensure all screws are securely locked.
- Charge the camera for at least 4 hours before using it.

Figure 2-9 Wall mount (2)



3 FAQ

1. The camera is unable to be charged.

Perform solar charging and discharging or Type C charging within an ambient temperature range of 0-50 °C. When solar panel is charged at an ambient temperature of 15 °C, for every one degree increase, the charging efficiency will decrease by 0.28%. Assuming that it takes 5 hours to fully charge a battery on a sunny day, with a charging current of 1 A, it will take 2 sunny days to fully charge a 10 Ah battery.

2. The camera cannot be operated or started up.

Ensure that the camera can self-check normally after being powered on, otherwise press and hold on the reset button for 10 seconds, wait for the camera to restart and reconfigure.

3. Where are recordings are stored?

The recordings are stored in a SD card. The camera does not support cloud storage.

4. How to store the recordings when the storage space of the SD card is insufficient.

The system will automatically overwrite previous recordings. Save important recordings in a timely manner.

5. The camera cannot enter the sleep mode.

Go to **System** > **Power Consumption Mode**, and then select the power consumption mode as **Sleep Mode**.

6. The camera is unable to connect to the Internet after recharging due to traffic arrears.

The camera needs to be powered off and restarted to reconnected to the network.

7. PIR alarm cannot be triggered.

This function is affected by environmental factors, and the detection rate may fluctuate.

ENABLING A SAFER SOCIETY AND SMARTER LIVING

ZHEJIANG DAHUA VISION TECHNOLOGY CO., LTD.

Address: No. 1399, Binxing Road, Binjiang District, Hangzhou, P. R. China | Website: www.dahuasecurity.com | Postcode: 310053

Email: dhoverseas@dhvisiontech.com | Tel: +86-571-87688888 28933188