

ZYXEL

Desktop Switch Series

Quick Start Guide

ENGLISH | DEUTSCH | FRANÇAIS | ITALIANO
ESPAÑOL

ZYXEL

Your Networking Ally

Warranty Card

Thank you for purchasing a Zyxel product. Zyxel has a reputation for delivering high quality, high performance products and services to our customers. We recommend that you now visit the Zyxel website and register your product online. This will mean you can receive the latest firmware, drivers and product related information. If you still have further questions or enquiries related to the product, please contact our subsidiaries worldwide. Please note that warranty terms may vary by region. Full detailed information is available on our website, here: http://www.zyxel.com/support/warranty_information.shtml

Purchase Information

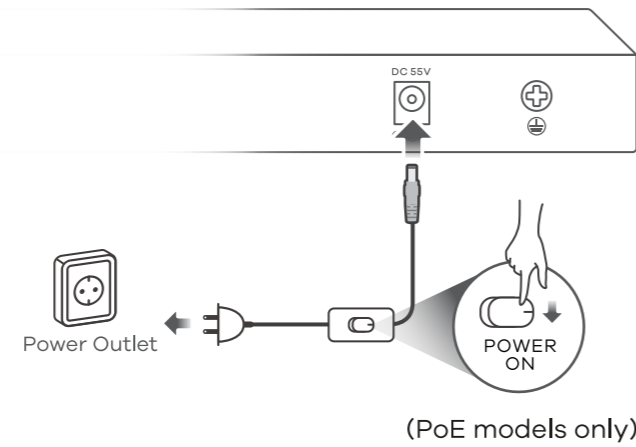
Zyxel Product Name:

Hardware Serial Number:

Date of Purchase:

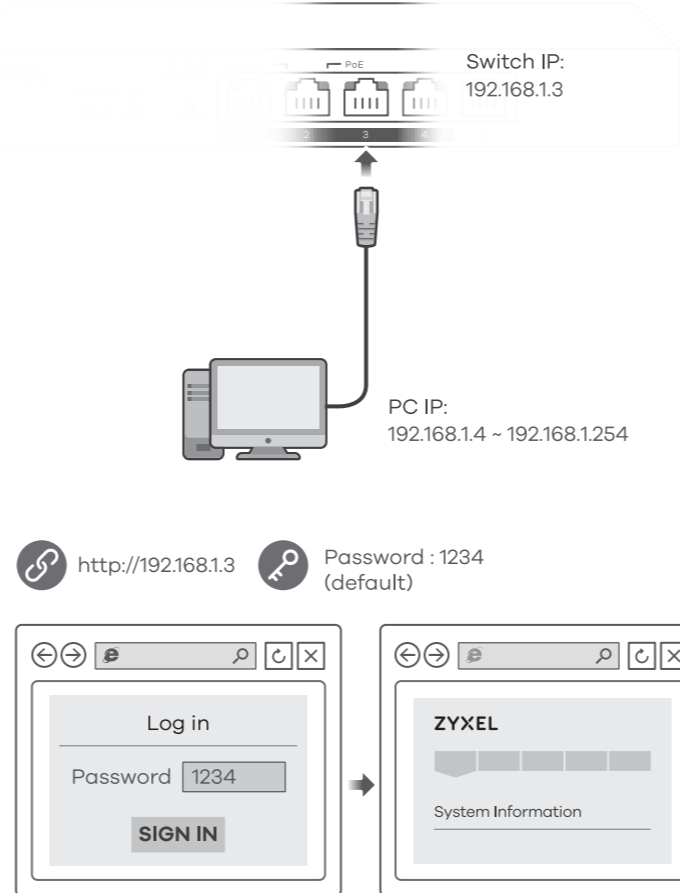
(In certain countries, the warranty will be validated with seller's signature and stamp):

1 Hardware Installation



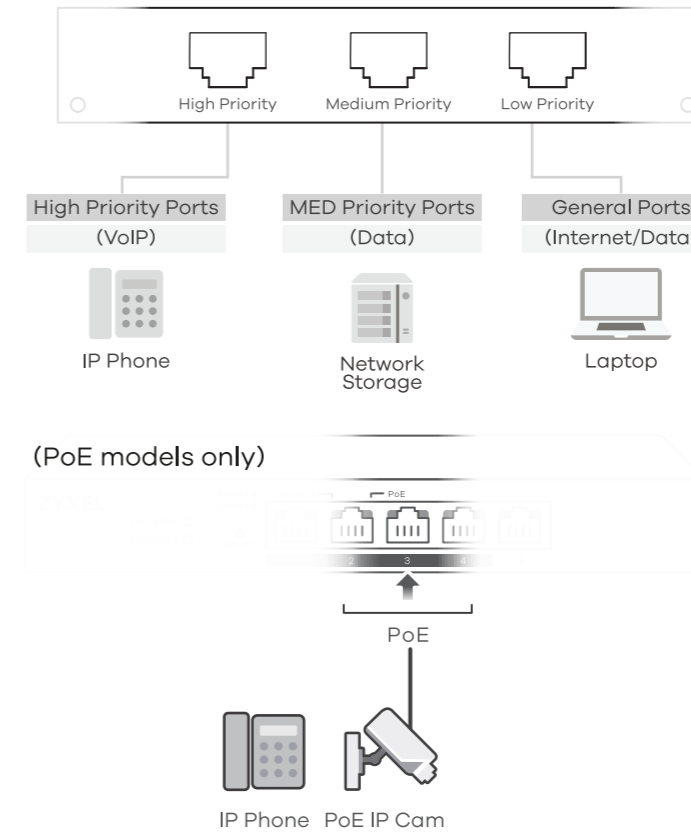
2 Manage Your Device

(For Web Managed Models Only)



Connect to Your Device

(For Unmanaged Non-PoE Models Only)
Priority Port (Port based QoS) Application



* Non-PoE devices can connect to the PoE ports, but PoE power is not supplied to them.

LEDs

PWR	Green	<ul style="list-style-type: none">● On - Power on⚡ Blinking - Starting up
LINK/ACT	Amber	<ul style="list-style-type: none">■ On - 10/100 Mbps connection ready⚡ Blinking - Data transmitting
	Green	<ul style="list-style-type: none">■ On - 1000 Mbps connection ready⚡ Blinking - Data transmitting
PoE (PoE models only)	Green	<ul style="list-style-type: none">■ On - PoE enabled■ Off - PoE disabled or not supplied
PoE MAX (PoE models only)	Amber	<ul style="list-style-type: none">● On - More than 50W supplied and approaching maximum● Off - Less than 50W supplied

- EN** Connect to an appropriate power source. Set the power switch to the ON position. Connect to a modem or router that has internet access.
- DE** An eine geeignete Stromquelle anschließen. Stellen Sie den Ein/Aus-Schalter in die Position ON. An ein Modem oder einen Router mit Internetanschluss anschließen.
- FR** Connectez-vous à une source d'alimentation appropriée. Mettez l'interrupteur d'alimentation sur la position ON (Marche). Connectez-vous à un modem ou un routeur ayant accès à Internet.
- IT** Collegare ad una fonte di alimentazione appropriata. Impostare l'interruttore di alimentazione nella posizione ON. Connettersi a un modem o router con accesso Internet.
- ES** Conecte a una fuente de corriente apropiada. Coloque el interruptor de corriente en la posición de encendido. Conectar a un módem o router con acceso a Internet.

- EN** Connect your computer to the Switch using an Ethernet cable. Your computer must have an IP address in the same subnet as the Switch. Launch your web browser and go to <http://192.168.1.3>. Enter 1234 as the password. Click **SIGN IN**.
- DE** Verwenden Sie ein Ethernet-Kabel, um den Computer mit dem Switch zu verbinden. Ihr Computer muss eine IP-Adresse im gleichen Subnetz wie der Switch selbst haben. Starten Sie Ihre Web Browser und gehen Sie auf <http://192.168.1.3>. Geben Sie admin als den Anwendernamen und 1234 als das Passwort ein. Klicken Sie auf **SIGN IN**.
- FR** Connectez votre ordinateur au commutateur à l'aide d'un câble Ethernet. Votre ordinateur doit disposer d'une adresse IP dans le même sous-réseau que le commutateur. Lancez votre navigateur web et allez à <http://192.168.1.3>. Entrez admin comme nom d'utilisateur et 1234 comme mot de passe. Cliquez sur **SIGN IN**.
- IT** Collegare il computer allo Switch utilizzando un cavo Ethernet. Il computer deve avere un indirizzo IP nella stessa sottorete dello switch. Avviare il browser e inserire l'indirizzo <http://192.168.1.3>. Immettere admin come nome utente e 1234 come password. Fare clic su **SIGN IN**.
- ES** Conecte su ordenador al conmutador usando un cable Ethernet. Su ordenador debe tener una dirección IP en la misma subred que el conmutador. Abra el navegador web y vaya a <http://192.168.1.3>. Escriba el nombre de usuario admin y la contraseña 1234. Haga clic en **SIGN IN**.

Troubleshooting

(For Web Managed Models Only)

I cannot see or access the Login screen in the Web Configurator.

- Make sure you are using the correct IP address. (The default IP address is 192.168.1.3.)
- Make sure your computer is in the same subnet as the Switch. If you haven't changed the default IP address, your computer IP address should be in the 192.168.1.4 ~ 192.168.1.254 range.
- Make sure you have entered the **Password** correctly. If you have changed the **Password** and have forgotten it, you'll have to **RESET** the Switch to its factory default. (The default **Password** is 1234.)

A loop is detected.

- A loop may happen in the following example situations:
 - The Switch is connected to another device in a loop state.
 - The Switch is connected to another device with two cables.
- Loop Prevention** is enabled by default. If a loop happens, the Switch will block the port in a loop state. If a loop happens on two ports, the Switch will block the higher-numbered port. For example, if a loop happens on ports 4 and 5, the Switch will block port 5, and its LED will be off. To restore a port in a loop state, disconnect it, check the network connections, and reconnect it.
- You can log into the Web Configurator. Go to **System** in the Web Configurator to check your port status.

The PoE LED is off/PoE power is not supplied. (PoE models only)

- Make sure the Ethernet cable is securely connected to the Switch, and you're using the correct type of Ethernet cable (Category 5e, 6UTP/STP, or better Ethernet cable).
- Go to **System** in the Web Configurator to check the amount of PoE power available. The maximum PoE power is 60W, and the maximum per port is 30W. If the total power required by the PoE-enabled devices exceeds the maximum PoE power, the last PoE-enabled device connected to the Switch won't be powered up (PoE power is allocated in the order the PoE-enabled devices were connected).

Support Information

USA

+1 800 255 4101
support@zyxel.com

EU

<https://support.zyxel.eu>

EU Importer

Zyxel Communications A/S
Gladsaxevej 378, 2. th. 2860 Søborg, Denmark
<https://www.zyxel.com/dk/da/>

US Importer

Zyxel Communications, Inc
1130 North Miller Street Anaheim, CA 92806-2001
<https://www.zyxel.com/us/en/>

Copyright ©2020 Zyxel Communications Corp. All Rights Reserved.



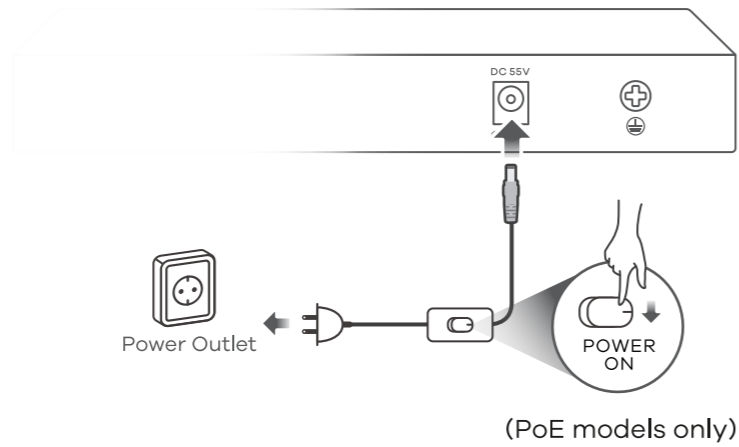
ZYXEL

Desktop Switch Series

Quick Start Guide

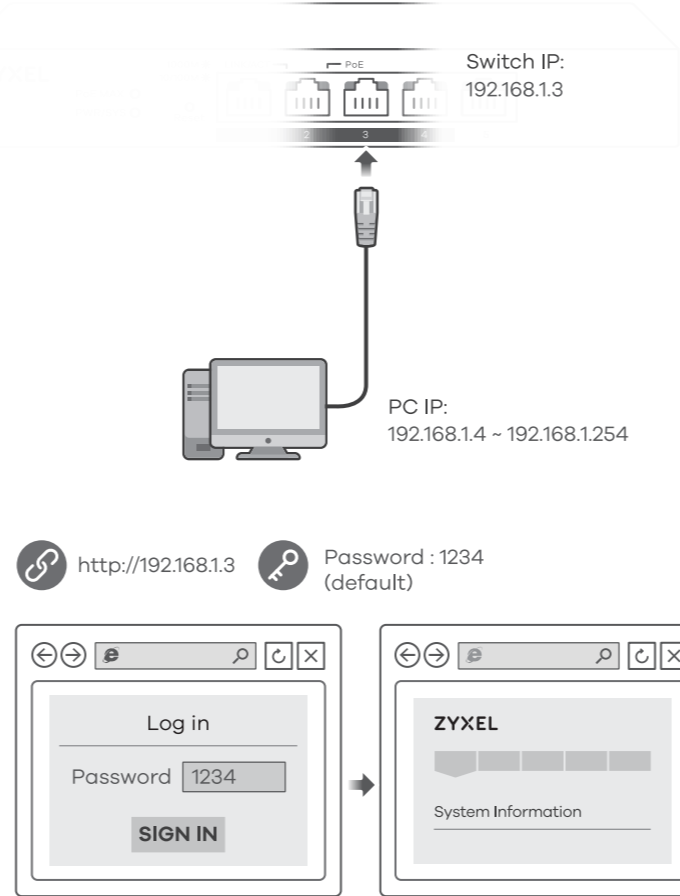
NEDERLANDS | DANSK | NORSK | SVENSKA
SUOMI

1 Hardware Installation



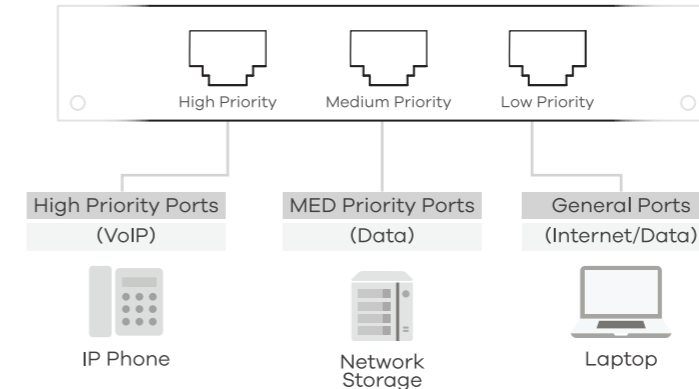
2 Manage Your Device

(For Web Managed Models Only)

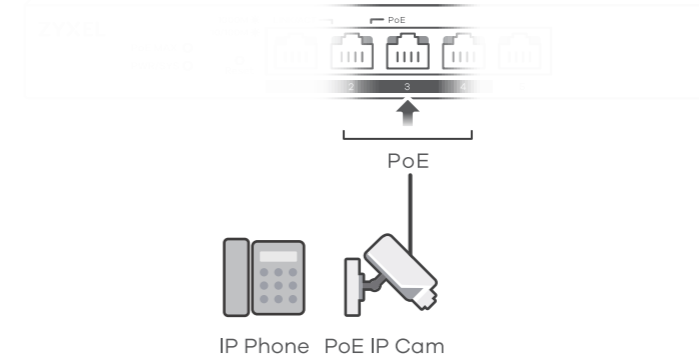


Connect to Your Device

(For Unmanaged Non-PoE Models Only)
Priority Port (Port based QoS) Application



(PoE models only)



* Non-PoE devices can connect to the PoE ports, but PoE power is not supplied to them.

LEDs

PWR	Green	<ul style="list-style-type: none">● On - Power on⚡ Blinking - Starting up
LINK/ACT	Amber	<ul style="list-style-type: none">■ On - 10/100 Mbps connection ready⚡ Blinking - Data transmitting
	Green	<ul style="list-style-type: none">■ On - 1000 Mbps connection ready⚡ Blinking - Data transmitting
PoE (PoE models only)	Green	<ul style="list-style-type: none">■ On - PoE enabled■ Off - PoE disabled or not supplied
PoE MAX (PoE models only)	Amber	<ul style="list-style-type: none">● On - More than 50W supplied and approaching maximum● Off - Less than 50W supplied

ZYXEL

Your Networking Ally



Warranty Card

Thank you for purchasing a Zyxel product. Zyxel has a reputation for delivering high quality, high performance products and services to our customers. We recommend that you now visit the Zyxel website and register your product online. This will mean you can receive the latest firmware, drivers and product related information. If you still have further questions or enquiries related to the product, please contact our subsidiaries worldwide. Please note that warranty terms may vary by region. Full detailed information is available on our website, here: http://www.zyxel.com/support/warranty_information.shtml

Purchase Information

Zyxel Product Name:

Hardware Serial Number:

Date of Purchase:

(In certain countries, the warranty will be validated with seller's signature and stamp):

- NL** Sluit aan op een geschikte stroombron. Zet de schakelaar op 'ON (AAN)'. Sluit aan op een modem of router met internetverbinding.
- DK** Tilslut til en relevant strømkilde. Sæt strømkontakten til ON-positionen. Tilslut til et modem eller router der har internetadgang.
- NO** Koble til en hensiktsmessig strømkilde. Sett strømbryteren i påslått posisjon. Koble til et modem eller en ruter som har Internett-tilgang.
- SE** Anslut till en lämplig strömkälla. Konfigurera strömbrytaren till påslagen position. Anslut till ett modem eller en router som har internetåtkomst.
- FI** Liitä laite yhteensopivaan virtalähteeseen. Aseta virtakytkin ON-asentoon. Liitä laite modeemiin tai reitittimeen, josta on Internet-yhteys.

- NL** Sluit uw computer aan op de Schakelaar met een Ethernet-kabel. Uw computer dient een IP-adres te hebben in hetzelfde subnet als de Schakelaar. Open uw webbrowser en ga naar <http://192.168.1.3>. Voer 1234 in als wachtwoord. Klik op **AANMELDEN**.
- DK** Tilslut din computer til switchen ved brug af et Ethernet-kabel. Din computer skal have en IP-adresse i det samme undernet som switchen. Start din webbrowser og gå til <http://192.168.1.3>. Indtast 1234 som adgangskode. Klik på **SIGN IN (Log på)**.
- NO** Koble datamaskinen til bryteren ved hjelp av en Ethernet-kabel. Datamaskinen må ha en IP-adresse i samme subnett som bryteren. Åpne nettleseren og gå til <http://192.168.1.3>. Angi 1234 som passord. Klikk på **LOGG PÅ**.
- SE** Anslut datorn till switchen med en Ethernet-kabel. Datorn måste ha en IP-adress i samma subnät som switchen. Starta din webbläsare och gå till sidan <http://192.168.1.3>. Skriv in 1234 som lösenord. Klicka på **LOGGA IN**.
- FI** Liitä tietokone kytkimeen Ethernet-kaapelilla. Tietokoneen IP-osoitteen on oltava samassa aliverkossa kytkimen IP-osoitteen kanssa. Avaa selain ja siirry osoitteeseen <https://192.168.1.3>. Kirjoita salasanaaksi 1234. Valitse **SIGN IN (KIRJAUDU)**.

Troubleshooting

(For Web Managed Models Only)

I cannot see or access the Login screen in the Web Configurator.

- Make sure you are using the correct IP address. (The default IP address is 192.168.1.3.)
- Make sure your computer is in the same subnet as the Switch. If you haven't changed the default IP address, your computer IP address should be in the 192.168.1.4 ~ 192.168.1.254 range.
- Make sure you have entered the **Password** correctly. If you have changed the **Password** and have forgotten it, you'll have to **RESET** the Switch to its factory default. (The default **Password** is 1234.)

A loop is detected.

- A loop may happen in the following example situations:
 - The Switch is connected to another device in a loop state.
 - The Switch is connected to another device with two cables.
- Loop Prevention** is enabled by default. If a loop happens, the Switch will block the port in a loop state. If a loop happens on two ports, the Switch will block the higher-numbered port. For example, if a loop happens on ports 4 and 5, the Switch will block port 5, and its LED will be off. To restore a port in a loop state, disconnect it, check the network connections, and reconnect it.
- You can log into the Web Configurator. Go to **System** in the Web Configurator to check your port status.

The PoE LED is off/PoE power is not supplied. (PoE models only)

- Make sure the Ethernet cable is securely connected to the Switch, and you're using the correct type of Ethernet cable (Category 5e, 6UTP/STP, or better Ethernet cable).
- Go to **System** in the Web Configurator to check the amount of PoE power available. The maximum PoE power is 60W, and the maximum per port is 30W. If the total power required by the PoE-enabled devices exceeds the maximum PoE power, the last PoE-enabled device connected to the Switch won't be powered up (PoE power is allocated in the order the PoE-enabled devices were connected).

Support Information

USA

+ 1 800 255 4101
support@zyxel.com

EU

<https://support.zyxel.eu>

EU Importer

Zyxel Communications A/S
Gladsaxevej 378, 2. th. 2860 Søborg, Denmark
<https://www.zyxel.com/dk/da/>

US Importer

Zyxel Communications, Inc
1130 North Miller Street Anaheim, CA 92806-2001
<https://www.zyxel.com/us/en/>

Copyright ©2020 Zyxel Communications Corp. All Rights Reserved.



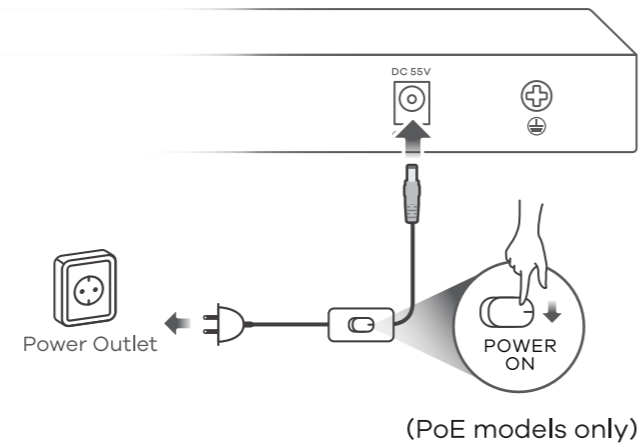
ZYXEL

Desktop Switch Series

Quick Start Guide

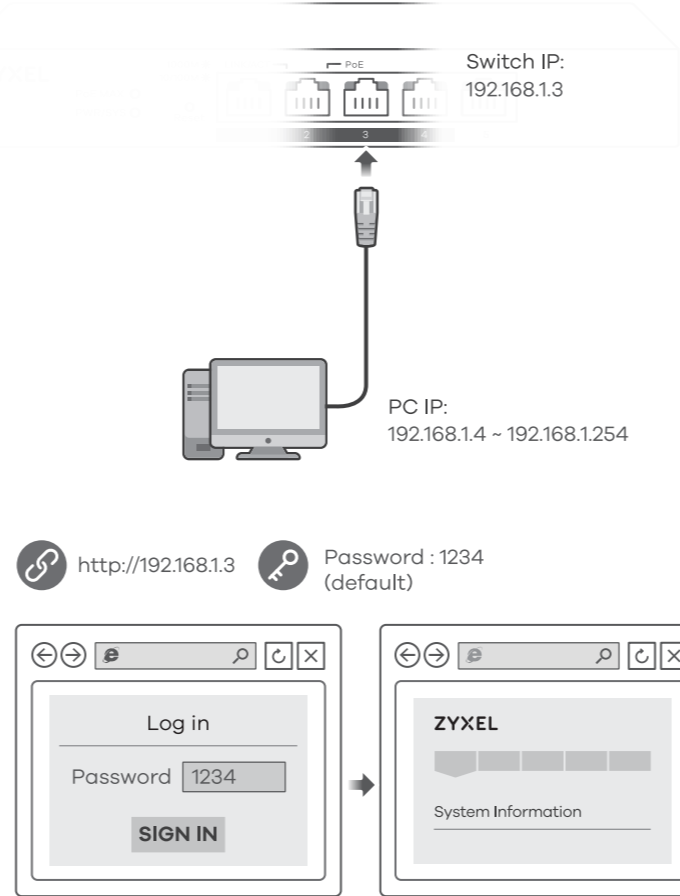
ČEŠTINA | SLOVENČINA | POLSKI | ROMÂNĂ
MAGYAR | РУССКИЙ

1 Hardware Installation



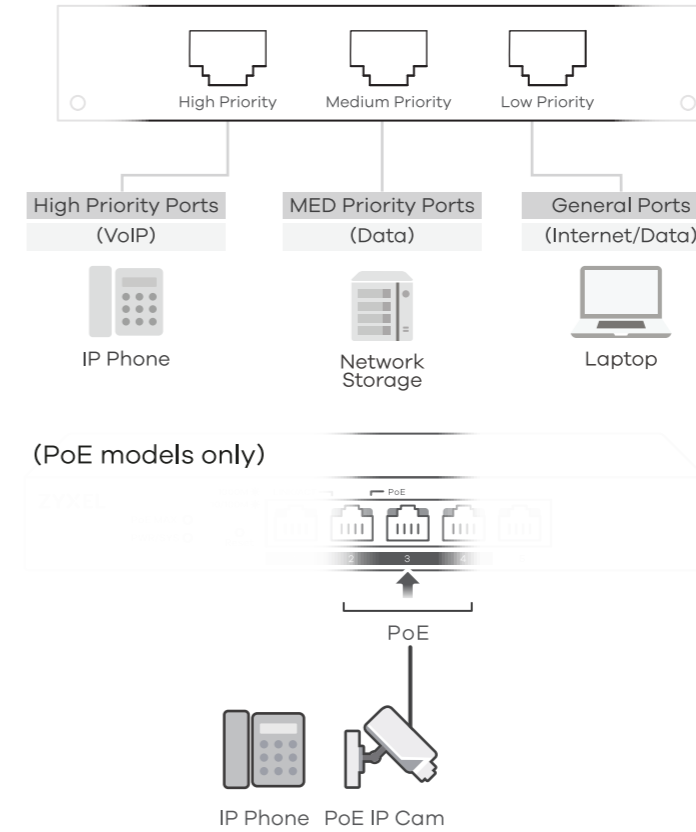
2 Manage Your Device

(For Web Managed Models Only)



Connect to Your Device

(For Unmanaged Non-PoE Models Only)
Priority Port (Port based QoS) Application



* Non-PoE devices can connect to the PoE ports, but PoE power is not supplied to them.

LEDs

PWR	Green	<ul style="list-style-type: none">● On - Power on⚡ Blinking - Starting up
LINK/ACT	Amber	<ul style="list-style-type: none">■ On - 10/100 Mbps connection ready⚡ Blinking - Data transmitting
	Green	<ul style="list-style-type: none">■ On - 1000 Mbps connection ready⚡ Blinking - Data transmitting
PoE (PoE models only)	Green	<ul style="list-style-type: none">■ On - PoE enabled■ Off - PoE disabled or not supplied
PoE MAX (PoE models only)	Amber	<ul style="list-style-type: none">● On - More than 50W supplied and approaching maximum● Off - Less than 50W supplied

ZYXEL

Your Networking Ally

Warranty Card



Thank you for purchasing a Zyxel product. Zyxel has a reputation for delivering high quality, high performance products and services to our customers. We recommend that you now visit the Zyxel website and register your product online. This will mean you can receive the latest firmware, drivers and product related information. If you still have further questions or enquiries related to the product, please contact our subsidiaries worldwide. Please note that warranty terms may vary by region. Full detailed information is available on our website, here: http://www.zyxel.com/support/warranty_information.shtml

Purchase Information

Zyxel Product Name:

Hardware Serial Number:

Date of Purchase:

(In certain countries, the warranty will be validated with seller's signature and stamp):

- CZ** Připojte do odpovídajícího zdroje energie. Zapněte síťový vypínač. Zapojte do modemu nebo směrovače s přístupem k internetu.
- SK** Pripojte k vhodnému zdroju napájania. Hlavný vypínač prepnite do polohy zapnutia. Pripojte k modemu alebo smerovaču s prístupom do internetu.
- PL** Podłącz do odpowiedniego źródła zasilania. Ustaw wyłącznik w położeniu włączenia. Podłącz do modemu lub routera z dostępem do Internetu.
- RO** Conectați la o sursă de alimentare corespunzătoare. Setați întrerupătorul general în poziția on (pornit). Conectați la un modem sau router care este prevăzut cu acces la internet.
- HU** Csatlakoztasson egy megfelelő áramforrást. A készülék főkapcsolóját állítsa bekapcsolt állapotba. Csatlakoztasson egy internetkapcsolattal rendelkező modemhez vagy útválasztóhoz.
- RU** Подключите коммутатор к надлежащему источнику питания. Установите переключатель питания в положение ON. Подключите коммутатор к модему или роутеру с доступом в интернет.

- CZ** Kabelem síť Ethernet připojte počítač nebo notebook k přepínači. Počítač musí mít stejnou IP adresu ve stejné podsíti jako přepínač. Spustte webový prohlížeč a přejděte na <http://192.168.1.3>. Jako heslo zadejte 1234. Klikněte na možnost **SIGN IN (Přihlásit se)**.
- SK** Pomocou kábla siete Ethernet pripojte svoj počítač k zariadeniu Switch. Adresa IP vášho počítača musí byť v rámci rovnakej podsiete ako je zariadenie Switch. Otvórzte prehľadarkę internetową i wpisz adresę <http://192.168.1.3>. Podaj hasło 1234. Kliknij **SIGN IN (zaloguj się)**.
- PL** Podłącz komputer lub notebook do przełącznika, korzystając z kabla sieciowego. Komputer musi mieć adres IP w tej samej podsieci, co przełącznik. Lansați navigatorul dvs. web și accesați <http://192.168.1.3>. Introduceți 1234 ca parolă. Dați clic pe **SIGN IN (AUTENTIFICARE)**.
- RO** Conectați-vă computerul la Comutator cu ajutorul unui cablu Ethernet. Computerul dvs. trebuie să aibă o adresă IP în aceeași subrețea ca și Comutatorul. Introduceți în câmpul de text adresă <http://192.168.1.3> în câmpul de text. Introduceți 1234 ca parolă. Apăsăți pe butonul **SIGN IN (bejelentkezés)**.
- HU** Csatlakoztassa számítógépét a switch-hez egy Ethernet kábellel. Számítógépének a switch hálójához tartozó IP címmel kell rendelkeznie. Spustte webový prohlížeč a přejděte na <http://192.168.1.3>. Jako heslo zadejte 1234. Klikněte na možnost **SIGN IN (Přihlásit se)**.
- RU** Подключите компьютер к коммутатору с помощью кабеля Ethernet. На компьютере должен быть установлен IP-адрес из той же подсети, что и на коммутаторе. Запустите веб-браузер и перейдите на <http://192.168.1.3>. Введите 1234 в строке пароля (Password). Нажмите кнопку **ВОЙТИ (SIGN IN)**.

Troubleshooting

(For Web Managed Models Only)

I cannot see or access the Login screen in the Web Configurator.

- Make sure you are using the correct IP address. (The default IP address is 192.168.1.3.)
- Make sure your computer is in the same subnet as the Switch. If you haven't changed the default IP address, your computer IP address should be in the 192.168.1.4 ~ 192.168.1.254 range.
- Make sure you have entered the **Password** correctly. If you have changed the **Password** and have forgotten it, you'll have to **RESET** the Switch to its factory default. (The default **Password** is 1234.)

A loop is detected.

- A loop may happen in the following example situations:
 - The Switch is connected to another device in a loop state.
 - The Switch is connected to another device with two cables.
- Loop Prevention** is enabled by default. If a loop happens, the Switch will block the port in a loop state. If a loop happens on two ports, the Switch will block the higher-numbered port. For example, if a loop happens on ports 4 and 5, the Switch will block port 5, and its LED will be off. To restore a port in a loop state, disconnect it, check the network connections, and reconnect it.
- You can log into the Web Configurator. Go to **System** in the Web Configurator to check your port status.

The PoE LED is off/PoE power is not supplied. (PoE models only)

- Make sure the Ethernet cable is securely connected to the Switch, and you're using the correct type of Ethernet cable (Category 5e, 6UTP/STP, or better Ethernet cable).
- Go to **System** in the Web Configurator to check the amount of PoE power available. The maximum PoE power is 60W, and the maximum per port is 30W. If the total power required by the PoE-enabled devices exceeds the maximum PoE power, the last PoE-enabled device connected to the Switch won't be powered up (PoE power is allocated in the order the PoE-enabled devices were connected).

Support Information

EU, Turkey and Russia

<https://support.zyxel.eu>

EU Importer

Zyxel Communications A/S
Gladsaxevej 378, 2. th. 2860 Søborg, Denmark
<https://www.zyxel.com/dk/da/>

US Importer

Zyxel Communications, Inc
1130 North Miller Street Anaheim, CA 92806-2001
<https://www.zyxel.com/us/en/>

Copyright ©2020 Zyxel Communications Corp. All Rights Reserved.



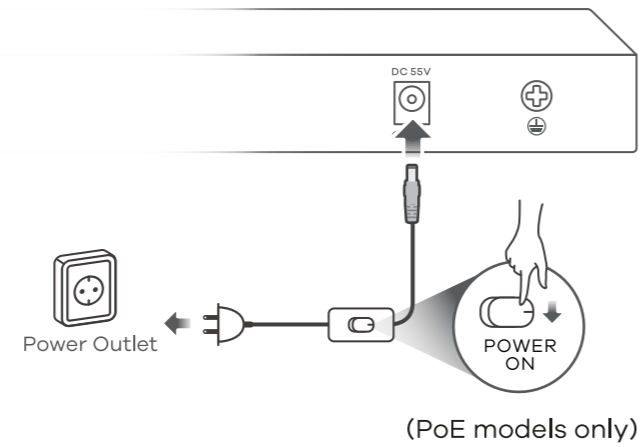
ZYXEL

Desktop Switch Series

Quick Start Guide

SLOVENŠČINA | БЪЛГАРСКИ | TÜRKÇE | УКРАЇНСЬКА
ภาษาไทย | 繁體中文

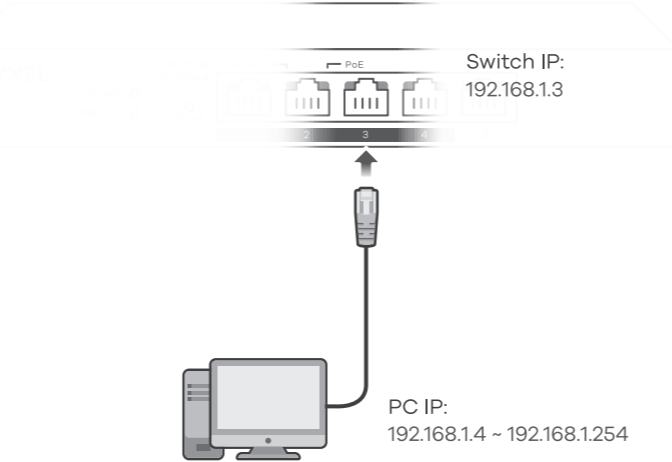
1 Hardware Installation



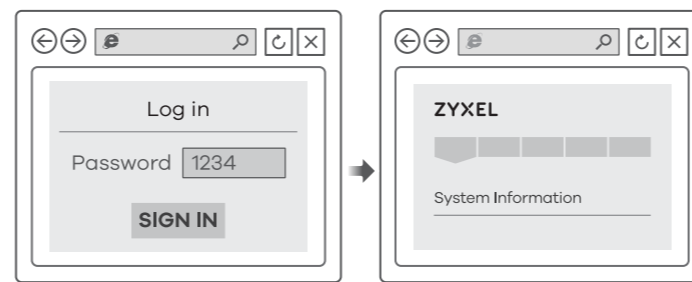
(PoE models only)

2 Manage Your Device

(For Web Managed Models Only)

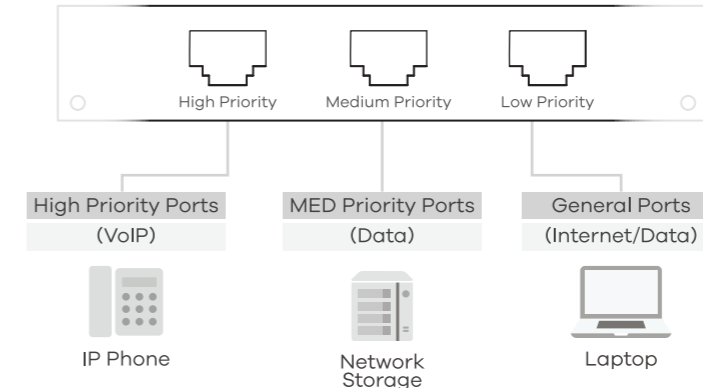


http://192.168.1.3 Password : 1234 (default)

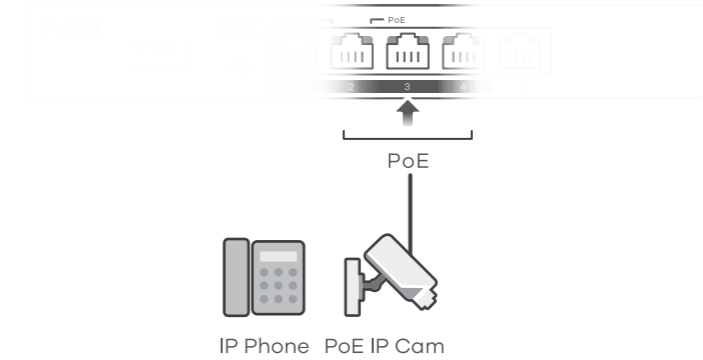


Connect to Your Device

(For Unmanaged Non-PoE Models Only)
Priority Port (Port based QoS) Application



(PoE models only)



* Non-PoE devices can connect to the PoE ports, but PoE power is not supplied to them.

LEDs

PWR	Green	<ul style="list-style-type: none">● On - Power on⚡ Blinking - Starting up
LINK/ACT	Amber	<ul style="list-style-type: none">■ On - 10/100 Mbps connection ready⚡ Blinking - Data transmitting
	Green	<ul style="list-style-type: none">■ On - 1000 Mbps connection ready⚡ Blinking - Data transmitting
PoE (PoE models only)	Green	<ul style="list-style-type: none">■ On - PoE enabled■ Off - PoE disabled or not supplied
PoE MAX (PoE models only)	Amber	<ul style="list-style-type: none">● On - More than 50W supplied and approaching maximum● Off - Less than 50W supplied

ZYXEL

Your Networking Ally



Warranty Card

Thank you for purchasing a Zyxel product. Zyxel has a reputation for delivering high quality, high performance products and services to our customers. We recommend that you now visit the Zyxel website and register your product online. This will mean you can receive the latest firmware, drivers and product related information. If you still have further questions or enquiries related to the product, please contact our subsidiaries worldwide. Please note that warranty terms may vary by region. Full detailed information is available on our website, here: http://www.zyxel.com/support/warranty_information.shtml

Purchase Information

Zyxel Product Name:

Hardware Serial Number:

Date of Purchase:

(In certain countries, the warranty will be validated with seller's signature and stamp):

- SL** Priključite v ustrezno električno vtičnico. Preklopite stikalo vkl./izk. na vklop ("ON"). Povežite na modem ali usmerjevalnik, ki ima internetni dostop.
- BG** Свържете към подходящо захранване. Натиснете превключвателя за захранване в положение вкл. Свържете към модел или рутер, който има интернет достъп.
- TR** Uygun bir güç kaynağına bağlayın. Güç anahtarını ON (AÇIK) konumuna ayarlayın. İnternet erişimi olan bir modeme veya yönlendiriciye bağlayın.
- UA** Підключіть комутатор до належного джерела живлення. Поверніть перемикач живлення в положення ON. Підключіть комутатор до модему або роутеру з доступом в інтернет.
- TH** เชื่อมต่อไปยังแหล่งจ่ายไฟที่เหมาะสม เปิดปุ่มพาวเวอร์ไปที่ตำแหน่งเปิด เชื่อมต่อกับโมเด็มหรือเราเตอร์ที่มีการเข้าถึงอินเทอร์เน็ต
- 繁中** 連接至適當的電源插座。按下電源鍵以開啟交換器。連接至可存取網際網路的數據機或路由器。

- SL** Z ethernetnim kablom povežite računalnik na Switch. Računalnik mora imeti naslov IP v istem podmrežju, kot ga ima Switch. Zaženite spletni brskalnik in odprite <http://192.168.1.3>. Vnesite geslo 1234. Kliknite **PRIJAVI**.
- BG** Свържете Вашия компютър към суича с помощта на Ethernet кабел. Вашият компютър трябва да има IP адрес в същата подмрежа като суича. Отворете браузъра и отидете на <https://192.168.1.3>. Въведете 1234 като парола. Щракнете **ВХОД**.
- TR** Bilgisayarınızı bir Ethernet kablosu kullanarak Anahtara bağlayın. Bilgisayarınız, Anahtarla aynı alt ağdaki bir IP adresine sahip olmalıdır. Web tarayıcınızı başlatıp <http://192.168.1.3> adresine gidin. Şifre olarak 1234 girin. **SIGN IN (OTURUM AÇ)** düğmesine tıklayın.
- UA** Підключіть комп'ютер до комутатора за допомогою кабелю Ethernet. На комп'ютері повинна бути встановлена IP-адреса з тієї ж підмережі, що і на комутаторі. Відкрийте веб-браузер і перейдіть на <http://192.168.1.3>. Введіть 1234 в рядку пароля (Password). Натисніть кнопку **УВІЙТИ (SIGN IN)**.
- TH** เชื่อมต่อคอมพิวเตอร์กับสวิตช์โดยใช้สายเคเบิลอีเธอร์เน็ต คอมพิวเตอร์ของคุณต้องมีที่อยู่ IP ในเครือข่ายย่อยเดียวกับสวิตช์ เปิดเว็บเบราว์เซอร์ของคุณและไปที่ <http://192.168.1.3> ป้อนรหัสผ่าน 1234 คลิก **SIGN IN (ลงชื่อเข้าใช้งาน)**
- 繁中** 用乙太網路線將電腦連接至交換器。您電腦的 IP 位址必須與交換器位在同一個子網域。啟動您的網頁瀏覽器，並前往 <http://192.168.1.3> 輸入密碼 1234 並登入。

Troubleshooting

(For Web Managed Models Only)

I cannot see or access the Login screen in the Web Configurator.

- Make sure you are using the correct IP address. (The default IP address is 192.168.1.3.)
- Make sure your computer is in the same subnet as the Switch. If you haven't changed the default IP address, your computer IP address should be in the 192.168.1.4 ~ 192.168.1.254 range.
- Make sure you have entered the **Password** correctly. If you have changed the **Password** and have forgotten it, you'll have to **RESET** the Switch to its factory default. (The default **Password** is 1234.)

A loop is detected.

- A loop may happen in the following example situations:
 - The Switch is connected to another device in a loop state.
 - The Switch is connected to another device with two cables.
- Loop Prevention** is enabled by default. If a loop happens, the Switch will block the port in a loop state. If a loop happens on two ports, the Switch will block the higher-numbered port. For example, if a loop happens on ports 4 and 5, the Switch will block port 5, and its LED will be off. To restore a port in a loop state, disconnect it, check the network connections, and reconnect it.
- You can log into the Web Configurator. Go to **System** in the Web Configurator to check your port status.

The PoE LED is off/PoE power is not supplied. (PoE models only)

- Make sure the Ethernet cable is securely connected to the Switch, and you're using the correct type of Ethernet cable (Category 5e, 6UTP/STP, or better Ethernet cable).
- Go to **System** in the Web Configurator to check the amount of PoE power available. The maximum PoE power is 60W, and the maximum per port is 30W. If the total power required by the PoE-enabled devices exceeds the maximum PoE power, the last PoE-enabled device connected to the Switch won't be powered up (PoE power is allocated in the order the PoE-enabled devices were connected).

Support Information

EU, Turkey and Russia

<https://support.zyxel.eu>

Taiwan

+ 886 2 2739 9889

retail@zyxel.com.tw

Thailand

+ 66 2831 5315

support@zyxel.co.th

EU Importer

Zyxel Communications A/S
Gladsaxevej 378, 2. th. 2860 Søborg, Denmark
<https://www.zyxel.com/dk/da/>

US Importer

Zyxel Communications, Inc
1130 North Miller Street Anaheim, CA 92806-2001
<https://www.zyxel.com/us/en/>

Copyright ©2020 Zyxel Communications Corp. All Rights Reserved.

