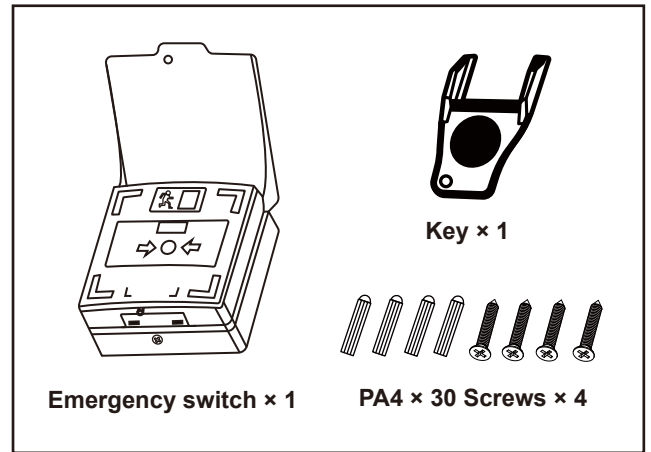


Resettable Call Point Installation Manual

※ Features

1. Default green color, it could be customized other colors.
2. Resettable design, obvious indicators around the edges of the unit.
3. Press the pressing plate to enable the output function.
4. Pressing plate with status shown.
5. Reversionary key with non-slip design.
6. Built-in buzzer status to set as silent or continuous beep. Volume is adjustable.
7. Input power range is DC12~24V. It can connect with all types of fire alarm systems.
8. Easy to assemble, 3set of output points to connect other equipment embedded or surface installations to select.

※ Accessories

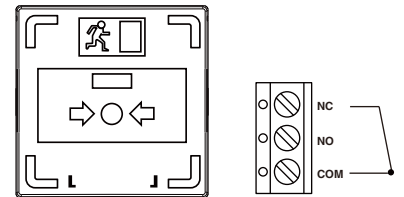


※ Specification

Items	Specification	Note
Power supply	DC 12V-DC 24V	±10%
Operation current	DC12V/20mA Standby/ 40mA Operation	±10%
	DC24V/20mA Standby/ 40mA Operation	±10%
Buzzer	Set as silent or continuous beep	
Indicator	Dual-color (red and green). Red indicator to set blinking or on.	
Output	Triple NO/NC/COM output	
Weight	167g	
Dimensions	90mm(L)x95mm(W)x45mm(H)	
Material	ABS, PC(transparent part)	

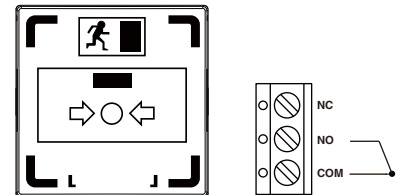
● Standby

Status Display: green



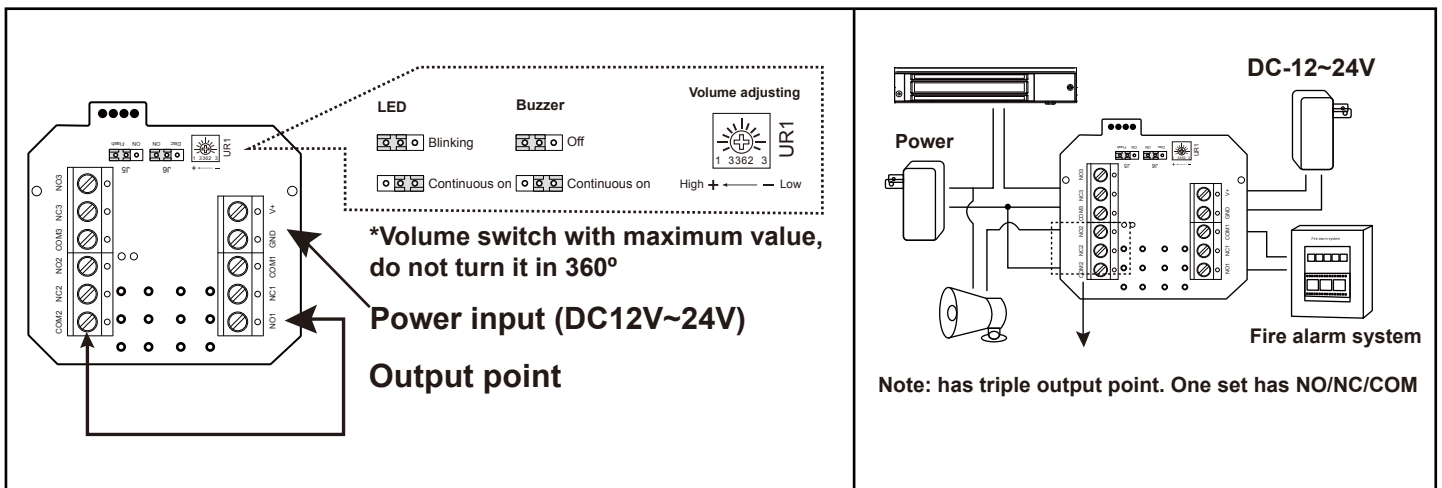
● Operation

Status Display: Red



※ Connections

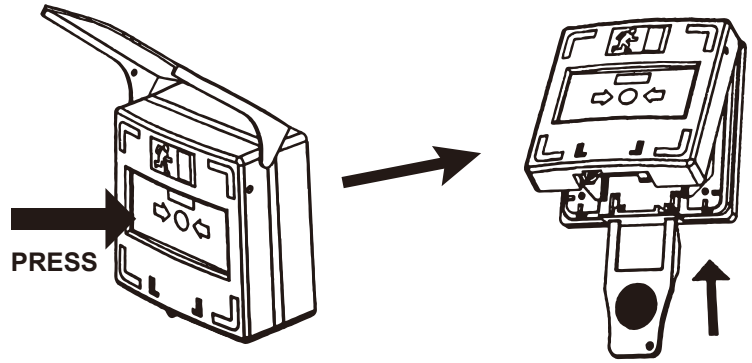
※ Wiring Diagram



※ Attention before installation

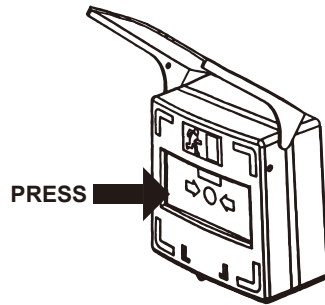
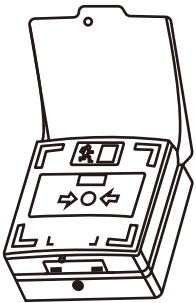


Please press the pressing plate to make sure the states turn red before opening the front and middle covers in order to prevent the spring being popped out

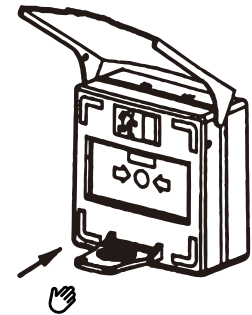


※ Installation

Installations for user



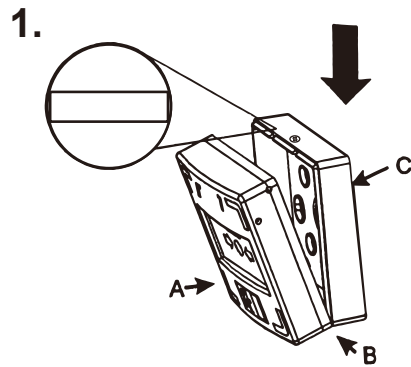
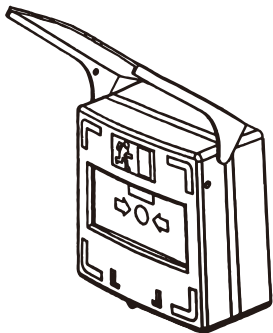
PRESS the plate to Active



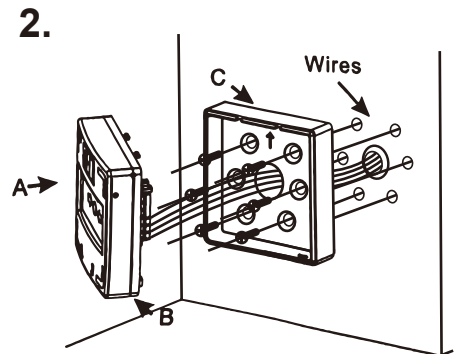
Insert the key to recover

Installation steps

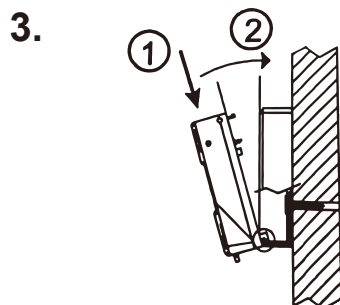
Completed



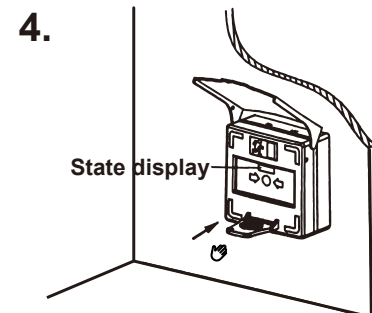
1. Unscrew the screws to remove the fasteners on B and C



2. Fix bottom cover C and connect the wires



3. Fastening the unit as the diagram shown above lock the screw at the bottom



4. Insert the key into the key hole. pull the key out when the states turn green to complete the setting