

DS-KD-ACW2/S

- 2 Surface mounting module brackets of modular door station: includes 2 module frame , 2 module front panel, 1 button cover and some other necessary accessories
- Stainless steel high quality material

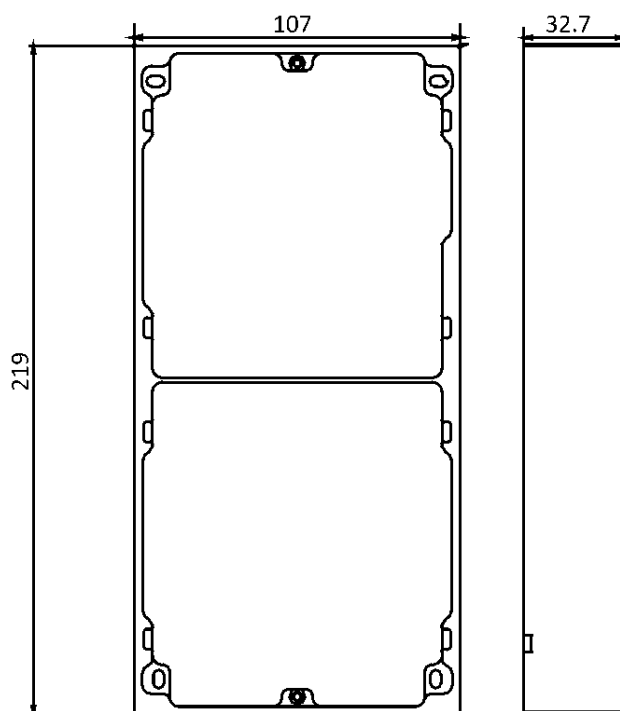
▪ **Specification**

General	
Working temperature	-40 °C to 60 °C (-40 °F to 140 °F)
Working humidity	10% to 95% (no-condensing)
Dimension (W × H × D)	For cover 219 x 107 × 4 mm(8.62" x 4.21" x 0.16"),For installation 219 x 107 × 32.7 mm(8.62" x 4.21" x 1.29")
Material	Cover: stainless steel Installation frame: Aviation

▪ **Available Model**

DS-KD-ACW2/S

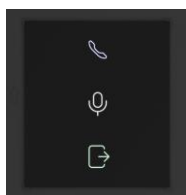
▪ **Dimension**



▪ **Accessory**



DS-KD8003-
IME1(B)/NS



DS-KD-IN



DS-KD-KK/S



DS-KD-KP



DS-KD-PMR



DS-KABD8003-
RS2



DS-KD8003Y-
IME2/S



DS-KD8003-
IME1/NS



DS-KD-DIS



DS-KD-KK



DS-KA01-ZX-10



DS-KD-KP#EU



DS-KD8003-
IME1/S



DS-KD-BK



DS-KD8003-
IME2/S



DS-KD-KP/S



DS-KD8003-
IME2/NS



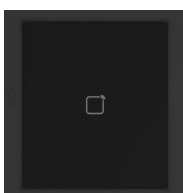
DS-KD-INFO



DS-KD8003-
IME1(B)/S



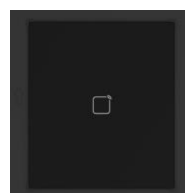
DS-KD8003-IME2



DS-KD-M



DS-KD8003Y-
IME2/NS



DS-KD-E



DS-KD8003-IME1

Headquarters

No.555 Qianmo Road, Binjiang District,
Hangzhou 310051, China
T +86-571-8807-5998
www.hikvision.com



Follow us on social media to get the latest product and solution information.

