

Ruijie Reyee RG-ANT13-360 Antenna

Hardware Installation and Reference Guide



Copyright

Copyright © 2024 Ruijie Networks

All rights are reserved in this document and this statement.

Any reproduction, excerpt, backup, modification, transmission, translation or commercial use of this document or any portion of this document, in any form or by any means, without the prior written consent of Ruijie Networks is prohibited.

Trademarks including  are owned by Ruijie Networks.

All other trademarks or registered trademarks mentioned in this document are owned by their respective owners.

Disclaimer

The products, services, or features you purchase are subject to commercial contracts and terms. Some or all of the products, services or features described in this document may not be within the scope of your purchase or use. Unless otherwise agreed in the contract, Ruijie Networks does not make any express or implied statement or guarantee for the content of this document.

Due to product version upgrades or other reasons, the content of this document will be updated from time to time. Ruijie Networks reserves the right to modify the content of the document without any notice or prompt.

This manual is for reference only. Ruijie Networks endeavors to ensure content accuracy and will not shoulder any responsibility for losses and damages caused due to content omissions, inaccuracies or errors.

Preface

Audience

This document is intended for:

- Network engineers
- Technical support and servicing engineers
- Network administrators

Technical Support

- Official Website of Ruijie Reyee: <https://reyee.ruijie.com>
- Technical Support Website: <https://reyee.ruijie.com/en-global/support>
- Case Portal: <https://www.ruijienetworks.com/support/caseportal>
- Community: <https://community.ruijienetworks.com>
- Technical Support Email: service_rj@ruijienetworks.com
- Online Robot/Live Chat: <https://reyee.ruijie.com/en-global/rita>

Conventions

1. GUI Symbols

Interface symbol	Description	Example
Boldface	1. Button names 2. Window names, tab name, field name and menu items 3. Link	1. Click OK. 2. Select Config Wizard. 3. Click the Download File link.
>	Multi-level menus items	Select System > Time.

2. Signs

The signs used in this document are described as follows:

Warning

An alert that calls attention to important rules and information that if not understood or followed can result in data loss or equipment damage.

Caution

An alert that calls attention to essential information that if not understood or followed can result in function failure or performance degradation.

 Note

An alert that contains additional or supplementary information that if not understood or followed will not lead to serious consequences.

 Specification

An alert that contains a description of product or version support.

3. Note

This document provides the installation steps, troubleshooting, technical specifications, as well as the specifications and use guidelines of cables and connectors. It is intended for users who want to understand the above contents, and are familiar with the installation and maintenance of networking hardware.

Contents

Preface	I
1 Product Introduction	1
1.1 Overview	1
1.2 Package Contents.....	1
1.3 Product Appearance	1
1.3.1 Appearance	1
1.3.2 Antenna Connectors	3
1.4 Technical Specifications	3
1.5 Power Supply Technical Specifications.....	5
2 Preparing for Installation	6
2.1 Safety Precautions.....	6
2.1.1 General Safety Precautions.....	6
2.1.2 Handling Safety.....	6
2.1.3 Electrical Safety	6
2.2 Installation Environment Requirements.....	7
2.2.1 Environment.....	7
2.2.2 Surge Protection	7
2.2.3 Temperature and Humidity.....	7
2.2.4 Anti-Interference.....	8
2.3 Tools	8
2.4 Checking Before Installation	8
3 Installation	9
3.1 Installation Procedure	9

3.2 Before You Begin.....	9
3.3 Safety Precautions During Installation	10
3.4 Installation Procedures	10
3.4.1 Installing the Wireless Bridge	10
3.4.2 Removing the Wireless Bridge	12
3.4.3 Installing the Antenna.....	14
3.5 Connecting Cables.....	15
3.6 Verifying the Installation.....	16
4 Debugging	17
4.1 Setting Up the Configuration Environment	17
4.2 Checking Environment Before/After Power-on.....	17
5 Monitoring and Maintenance.....	18
5.1 Monitoring	18
5.2 Hardware Maintenance.....	18
6 Common Troubleshooting	19
6.1 Troubleshooting Flowchart	19
7 Appendix.....	20
7.1 Connectors and Media.....	20

1 Product Introduction

1.1 Overview

The RG-ANT13-360 antenna is an external omnidirectional antenna launched by Ruijie Reyee for outdoor wireless bridges. This antenna, featuring the 5 GHz 2x2 MIMO technology and two spatial streams, delivers a gain of up to 13 dBi, with a horizontal angle of 360° and a vertical angle of 7°. It is specifically designed for the RG-AirMetro550G-B bridge for point-to-multipoint (PTMP) scenarios, covering a range of up to 2 km.

1.2 Package Contents

Table 1-1 Package Contents

No.	Item	Quantity
1	RG-ANT13-360 Antenna (with Mounting Bracket)	1
2	RF Cable	2
3	User Manual	1
4	Pole Clamp	2
5	Hexagon Flange Nut	4
6	Cup Head Square Neck Bolt with Large Head	4

 **Note**

The package contents are subject to the purchase contract, and actual delivery may vary. Please check the items carefully against the package contents or purchase contract. If you have any questions or notice any errors, please contact your distributor.

1.3 Product Appearance

1.3.1 Appearance

Figure 1-1 Appearance

Front View



Back View



i Note

The label is located on the back of the device.

1.3.2 Antenna Connectors

Figure 1-2 Antenna Connectors

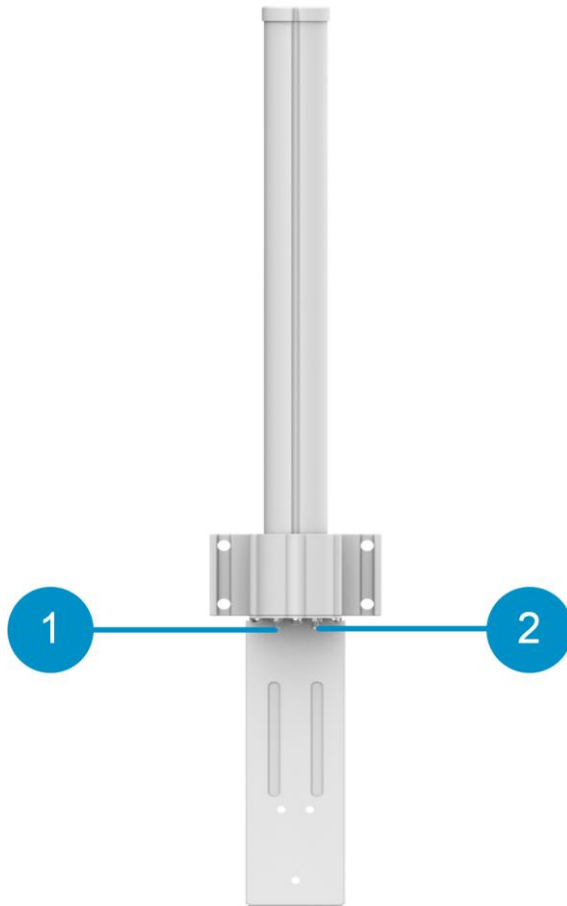


Table 1-2 Antenna Connectors

Mark	Component	Description
1	V	Antenna path 1 connector
2	H	Antenna path 2 connector

1.4 Technical Specifications

Note

The weight in the table refers to the weight of a single antenna.

Table 1-3 Technical Specifications

Dimensions (W × D × H)	769 mm × 120 mm × 81.6mm (30.3 in. x 4.7 in. x 3.2 in.) (excluding mounting bracket)
Weight	2.35kg(5.18 lb)
Frequency Range	5.15 to 5.85 GHz
Gain	13 dBi
HPOL Beamwidth	360°
VPOL Beamwidth	360°
Elevation Beamwidth	7° (3 dB)
Electrical Downtilt	0°
Max. VSWR	2.0:1
Wind Survivability	220.32km/h(137mph) (GB 2423.41-1994)
Wind Loading	133N@220.32km/h(30lbf@137mph)
Polarization	Horizontal and vertical
Cross-Pol Isolation	25 dB Min.
Environment	Operating temperature: -40°C to +80°C (-40°F to +176°F)
	Storage temperature: -40°C to +85°C (-40°F to +185°F)
	Operating humidity: 5%–95% (non-condensing)
	Storage humidity: 5%–95% (non-condensing)
Mounting	Pole-mount
IP Rating	IP55
Certification	CE
MTBF	> 400000 hours

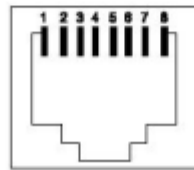
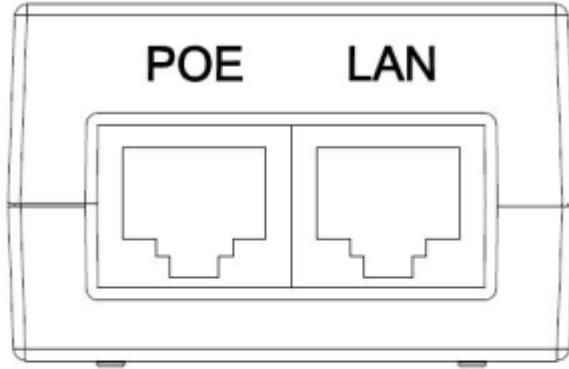
Warning

Operation of this equipment in a residential environment could cause radio interference.

1.5 Power Supply Technical Specifications

The RG-AirMetro550G-B wireless bridge supports 12 V \bar{c} 1 A DC input and passive 24 V PoE input, and is shipped with a 24 V \bar{c} 0.5 A passive PoE injector.

- Technical specifications of the passive PoE injector:



- (1) RJ45 LAN port: Pins 1, 2, 3, 4, 5, 6, 7, and 8 are for data transmission.
- (2) RJ45 PoE port: Pins 1, 2, 3, 4, 5, 6, 7, and 8 are for data transmission. Pins 4 and 5 are connected to the positive terminal, while pins 7 and 8 are connected to the negative terminal.

- Technical specifications of the DC power adapter:

Inner Diameter	Outer Diameter	Depth
2.10 ± 0.05 mm (0.083 in. ± 0.002 in.)	5.50 ± 0.05 mm (0.22 in. ± 0.002 in.)	9 mm (0.35 in.)

Warning

- To power the device using DC power, use a 12 V/1.0 A DC power adapter that is supplied by Ruijie Reeye. Please note that the DC power adapter is not included and needs to be acquired separately from us.
- To power the device using PoE power, use the supplied passive PoE injector. Using other PoE injectors or switches may result in irreparable damage to the device.

2 Preparing for Installation

2.1 Safety Precautions

Note

- To prevent device damage and physical injury, please read carefully the safety precautions described in this chapter.
 - The following safety precautions do not cover all possible dangers.
-

2.1.1 General Safety Precautions

- Do not expose the device to high temperature, dusts, or harmful gases. Do not install the device in an inflammable or explosive environment. Keep the device away from EMI sources such as large radar stations, radio stations, and substations. Do not subject the device to unstable voltage, vibration, and noises.
- The installation site should be far away from the sea. Keep the device at least 500 meters (1640 ft.) away from the seaside and do not face it toward the wind from the sea.
- The installation site should be free from water flooding, seepage, dripping, or condensation. The installation site shall be selected according to network planning and features of communications device, and considerations such as climate, hydrology, geology, earthquake, electric power, and transportation.

Caution

Please follow the correct procedures described in this guide to install and remove the device.

2.1.2 Handling Safety

- Avoid handling the device frequently after the device is installed.
- Cut off all the power supplies and unplug all power cords before moving or handling the device.

2.1.3 Electrical Safety

Warning

- Improper or incorrect electrical operations may cause a fire, electric shock, and other accidents, and lead to severe and fatal personal injury and device damage.
 - Direct or indirect touch through a wet object on high-voltage and mains supply can bring a fatal danger.
-

- Observe local regulations and specifications when performing electrical operations. Only qualified personnel should handle these tasks.
- Carefully check the work area for potential hazards, including ungrounded power system, insufficient grounding, and damp or wet ground.

2.2 Installation Environment Requirements

To ensure the normal operation and prolonged service life of the device, it is essential to install it indoors in a location that meets the following requirements.

2.2.1 Environment

- Install the device in a well-ventilated environment. If it is installed in a closed room, make sure there is a good cooling system.
- Make sure the site is sturdy enough to support the device and its accessories.
- Make sure the site has enough space for installing the device and leave sufficient space around the device for ventilation.

2.2.2 Surge Protection

- When the connection cable between the main grounding conductor and local equipotential earthing terminal board (LEB) on each floor is short, use a stranded copper wire with a sectional area not less than 1.318 mm² (16 AWG) for the connection cable.
- Use a shielded network cable if possible. Ensure that devices connected to both ends of the shielded network cable are reliably grounded, and that the sheath of the shielded network cable is also grounded if possible. If no shielded network cable is available, wire the network cable through a steel pipe and bury the steel pipe for lead-in, and properly ground both ends of the steel pipe.
- The device has a built-in high-grade surge arrester with a 4KV surge protection capability. Generally, additional surge arrester is not required. If a higher surge protection level is required, a surge arrester can be installed and must be grounded.

2.2.3 Temperature and Humidity

To ensure the normal operation and prolonged service life of the device, maintain an appropriate temperature and humidity in the equipment room. The equipment room with too high or too low temperature and humidity for a long period may damage the device.

- In an environment with high humidity, the insulating material may have bad insulation or even leak electricity and sometimes the materials may suffer from mechanical performance change and metallic parts may get rusted.
- In an environment with low humidity, the insulating strip may dry and shrink, and static electricity is prone to occur and damage the internal circuits of the device.
- In an environment with high temperature, the device is subjected to even greater harm, as its performance may degrade significantly and its useful life may be shortened in the case of long-term exposure that expedites the aging process.

Table 2-1 Temperature and Humidity Requirements

Operating Temperature	Operating Humidity
-40°C to +80°C (-40°F to +176°F)	5% to 95% RH (non-condensing)

2.2.4 Anti-Interference

- Take interference prevention measures for the power supply system.
- Keep the device away from the grounding facility or lightning and grounding facility of the power device as much as possible.
- Keep the device away from high-power radio stations, radar stations, and high-frequency high-current devices.

2.3 Tools

Table 2-2 Tools

Common Tools	Marker, Phillips screwdriver, hammer drill, power cords, Ethernet cables, and diagonal plier
Special Tools	Anti-ESD gloves, wire stripper, crimping plier, RJ45 crimping plier, wire cutter, and waterproof adhesive tape
Meters	Multimeter
Relevant Devices	PC, display, and keyboard

 **Note**

The RG-ANT13-360 Antenna is not shipped with a tool kit. You need to prepare a tool kit by yourself.

2.4 Checking Before Installation

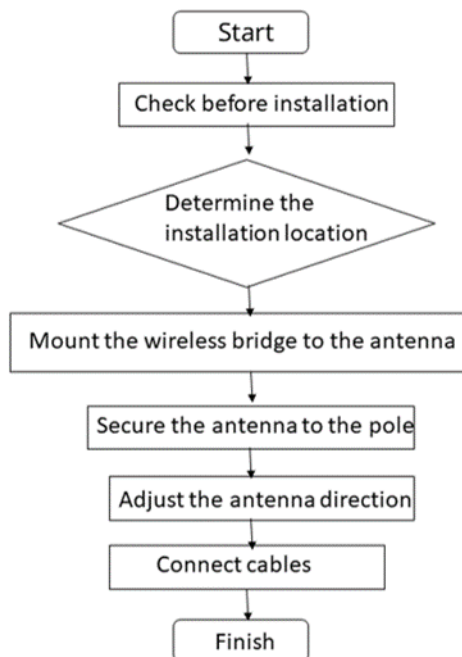
After unpacking the product, carefully inspect each item in accordance with the provided package contents. If any inconsistencies are found, please contact our local distributor.

3 Installation

⚠ Caution

Before installing the device, make sure that you have carefully read the requirements described in Chapter 2.

3.1 Installation Procedure



3.2 Before You Begin

Carefully plan and arrange the installation location, networking mode, power supply, and cabling of the device before installation. Confirm the following points before installation:

- The installation site provides sufficient space for heat dissipation.
- The installation site meets the temperature and humidity requirements of the device.
- The power supply and required current are available in the installation site.
- The selected power supply modules meet the system power requirement.
- The network cables have been deployed in the installation site.
- The installation site meets all requirements described in this guide.
- The device meets the customers' requirements.

3.3 Safety Precautions During Installation

To ensure minimal interference when installing multiple wireless bridges in close proximity, maintain a horizontal installation distance of at least 2 meters, or a vertical installation distance of at least 0.5 meters between each wireless bridge. Ensure that the horizontal angle formed by the two wireless bridges is greater than 120 degrees. The specific installation location of the wireless bridge should be determined by professionals after conducting a thorough site survey.

Before installation, ensure that the installation location meets the requirements in [2.2 Installation Environment Requirements](#) and pay attention to the following:

- Use the provided power adapter (24 V, 0.5 A PoE power adapter, with positive on pins 4 and 5 and negative on pins 7 and 8), or an alternative power supply with identical specifications to supply power to this device. Do not use power adapters with different specifications.
- The supplied PoE adapter supports Cat5e or better Ethernet cables for power supply for up to 100 meters (328 ft.). Prior to connecting the Ethernet cable, ensure that the power module switch is in the off position.
- Ensure the Ethernet cables and power cords are securely connected.

3.4 Installation Procedures

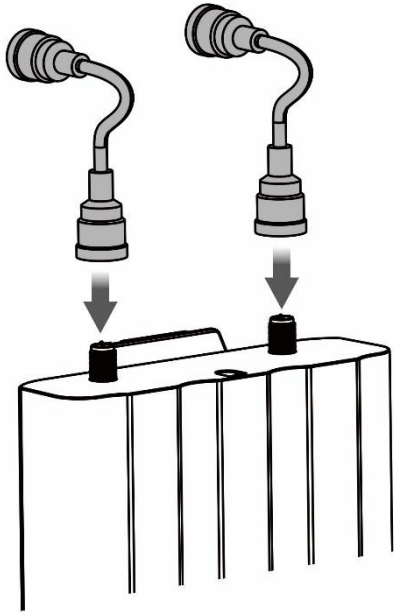
 **Caution**

- Install the device in a manner that maximizes the coverage area of the antenna.
 - The schematic diagram provided is for reference purposes only. The actual product should be installed based on its physical specifications and design.
-

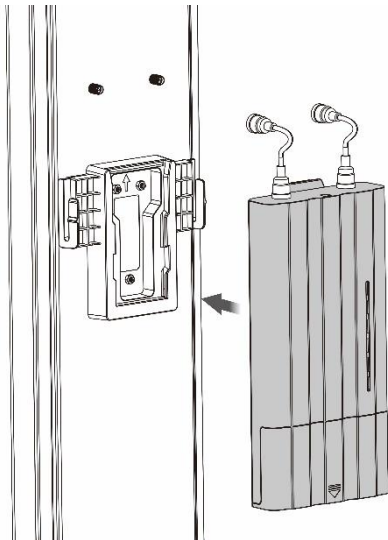
3.4.1 Installing the Wireless Bridge

This wireless bridge can be mounted onto 90°, 120°, or 360° antennas. The installation procedure is the same. The following section describes the installation procedure for the 90° antenna.

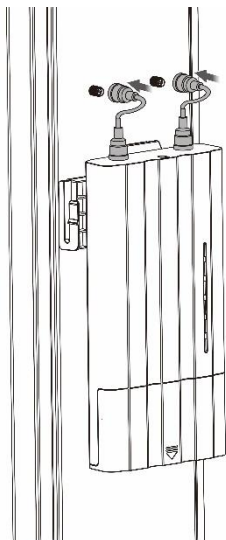
- (1) Connect the RF cable to the SMA connector of the wireless bridge.



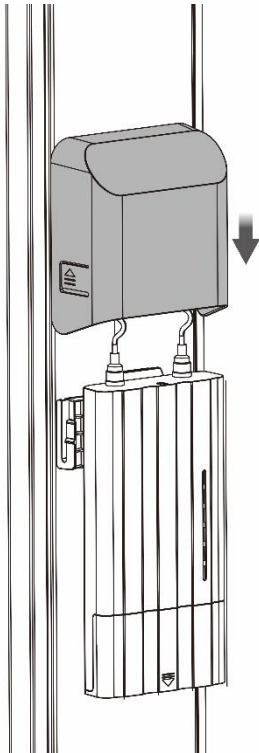
(2) Attach the wireless bridge to the antenna.



(3) Connect the SMA connector of the wireless bridge to that of the antenna.

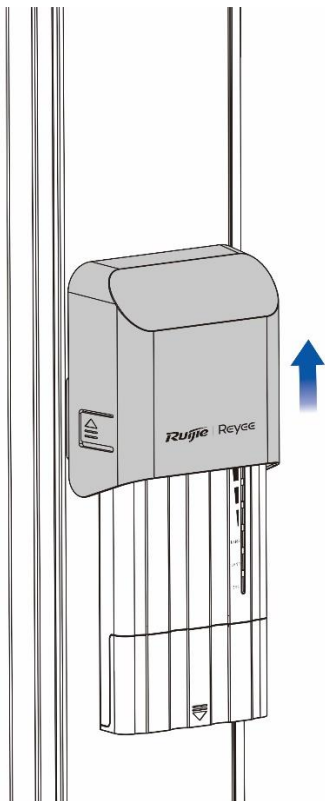


- (4) Install the protective cover.



3.4.2 Removing the Wireless Bridge

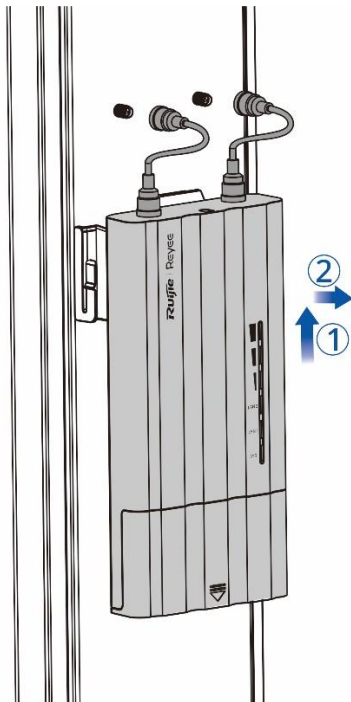
- (1) Remove the protective cover by pulling it upward.



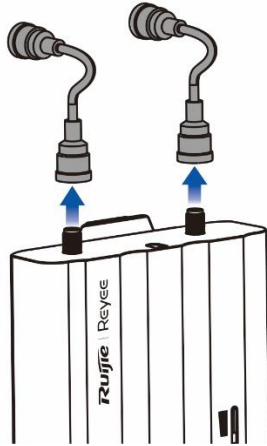
- (2) Unscrew the RF cable.



(3) Remove the wireless bridge by pulling it upward and then outward.



(4) Remove the RF cable.



3.4.3 Installing the Antenna

Note

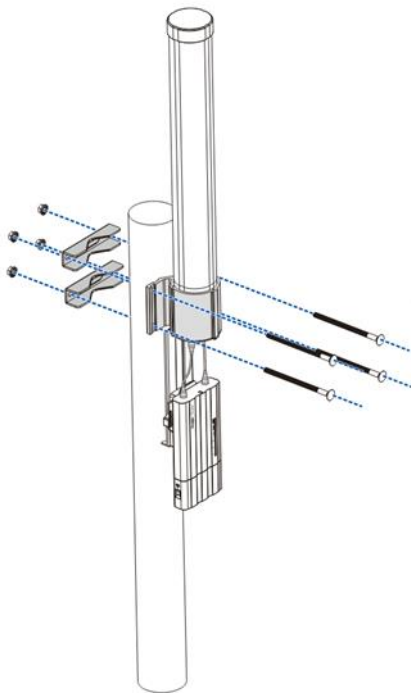
You are advised to use the following three Ruijie antenna models: RG-ANT20S-90, RG-ANT16S-120, and RG-ANT13-360.

- Installing a 360° antenna

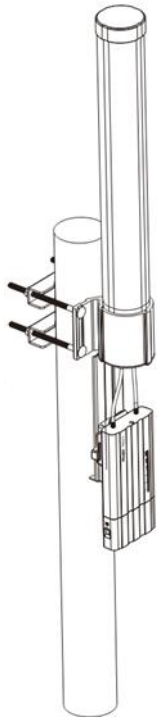
(1) Secure the antenna to the pole.

Note

M8 x 150 mm screws are recommended.

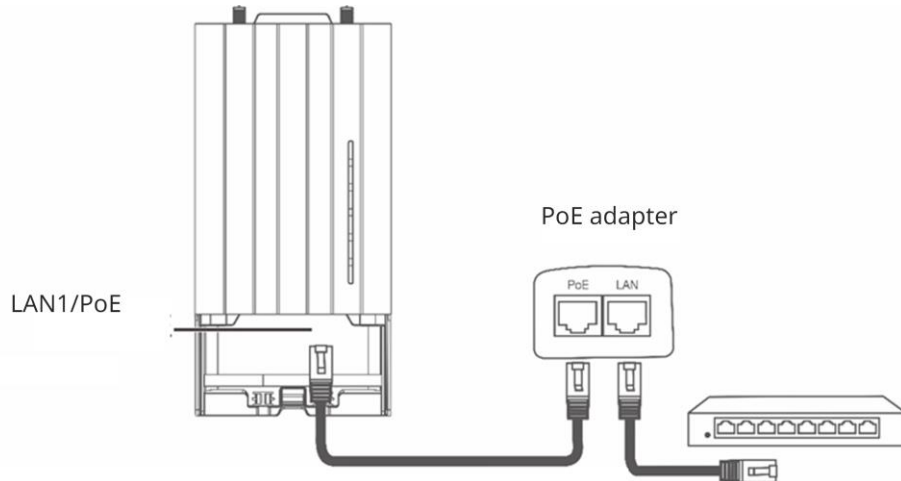


- (2) The installation is complete.



3.5 Connecting Cables

- (1) Use or make an Ethernet cable based on the distance between the wireless bridge and the power source. The device supports PoE power supply over Cat5e or better cables with a cable length up to 100 meters (328 ft.).
- (2) Connect the PoE port of the 24 V PoE adapter to the LAN1/PoE port of the wireless bridge using an Ethernet cable. Connect the LAN port of the PoE adapter to the server or camera using another Ethernet cable. Alternatively, connect the 12 V DC adapter to the DC port of the wireless bridge for power supply, and then connect the LAN port of the wireless bridge to the server or camera using another Ethernet cable.

Figure 3-1 Cable Connection

Maximum distance of PoE: 100 meters
(328 ft.) (Cat5e or better cables)

Warning

- After the Ethernet cable is securely connected to the device, cover the device with a waterproof cover to shield it from potential water and dust damage.
 - Do not use other models of PoE adapters or switches for power supply as it may lead to irreparable damage to the device.
-

3.6 Verifying the Installation

(1) Check the device

- Verify that the external power supply matches the device.
- Verify that the device is firmly and reliably secured.

(2) Check the power supply

- Verify that the power cord is properly connected and meet safety requirements.
- Turn on the power supply to supply power to the device. Verify that the device works properly.

4 Debugging

4.1 Setting Up the Configuration Environment

Before setting up the configuration environment using the 24 V, 0.5 A PoE power supply or the 12 V DC power supply, verify that the power cord is properly connected and that the configuration environment meets safety requirements.

4.2 Checking Environment Before/After Power-on

(1) Before power-on, check the following:

- Verify that the power supply is properly connected.
- Verify that the input voltage matches the specification.

(2) After power-on, check the following (Recommended):

- Verify that the LED status is normal.

5 Monitoring and Maintenance

5.1 Monitoring

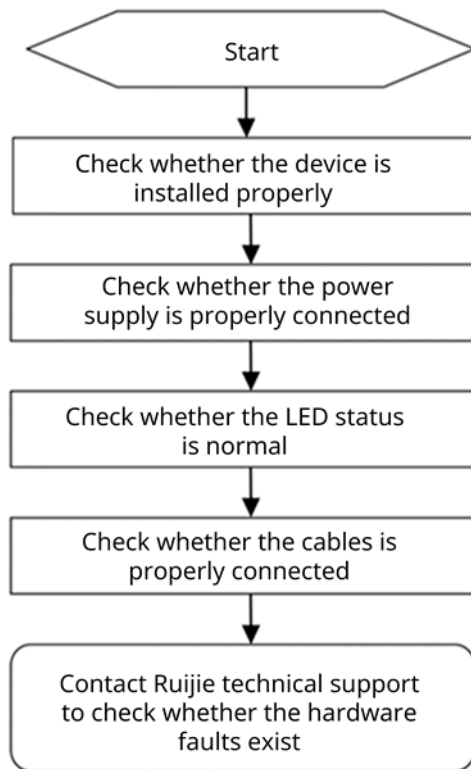
You can observe the LED status to monitor the device in operation.

5.2 Hardware Maintenance

If the hardware is faulty, please contact Ruijie Networks technical support for assistance.

6 Common Troubleshooting

6.1 Troubleshooting Flowchart



7 Appendix

7.1 Connectors and Media

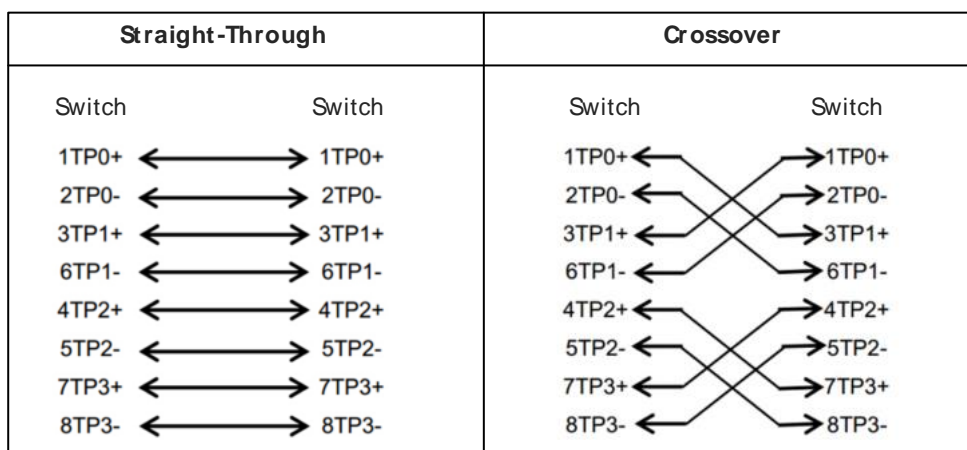
1000BASE-T/100BASE-TX/10BASE-T Port

The 1000BASE-T/100BASE-TX/10BASE-T port is a 10/100/1000 Mbps auto-negotiation port that supports auto MDI/MDIX Crossover.

Compliant with IEEE 802.3ab, the 1000BASE-T port requires Category 5e 100-ohm UTP or STP (recommended) with a maximum distance of 100 meters (328 feet).

The 1000BASE-T port requires all four pairs of wires to be connected for data transmission. The following figure shows the four pairs of wires for the 1000BASE-T port.

Figure 7-1 1000BASE-T Twisted Pair Connections



100BASE-TX/10BASE-T can be interconnected using cables of the preceding specifications. For 10 Mbps, the 100BASE-TX/10BASE-T port can be connected using 100-ohm Category 3, Category 4, and Category 5 cables; for 100 Mbps, the 100BASE-TX/10BASE-T port can be connected using 100-ohm Category 5 cables with a maximum connection distance of 100 meters. The following table shows 100BASE-TX/10BASE-T pin assignments.

Table 7-1 100BASE-TX/10BASE-T Pin Assignments

Pin	Socket	Plug
1	Input Receive Data+	Output Transmit Data+
2	Input Receive Data-	Output Transmit Data-
3	Output Transmit Data+	Input Receive Data+
6	Output Transmit Data-	Input Receive Data-
4, 5, 7, 8	Not Used	Not Used

The following figure shows feasible connections of the straight-through and crossover twisted pair cables for a 100BASE-TX/10BASE-T port.

Figure 7-2 100BASE-TX/10BASE-T Twisted Pair Connections

