




Solar-Powered PT Camera Setup









Quick Start Guide



User Manual

 Read this manual before using the product.
Product appearance is for reference only and may differ from the actual product.

Symbols and Marks

	Warning		<ul style="list-style-type: none"> i. Not necessarily included accessory. ii. Variable accessory amount. iii. Skip this step if not required.
	Correct	microSD 	MicroSD card
	Incorrect	SIM 	SIM card
	Purchase separately		Other situations omitted

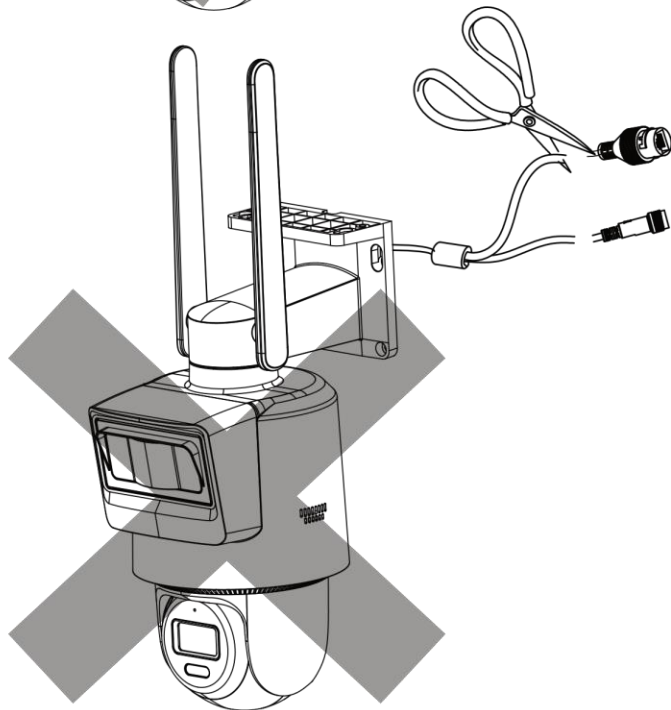
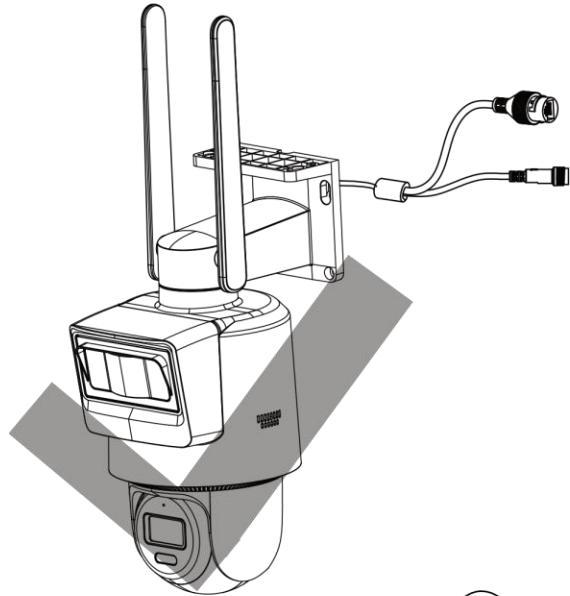
Related Documentation



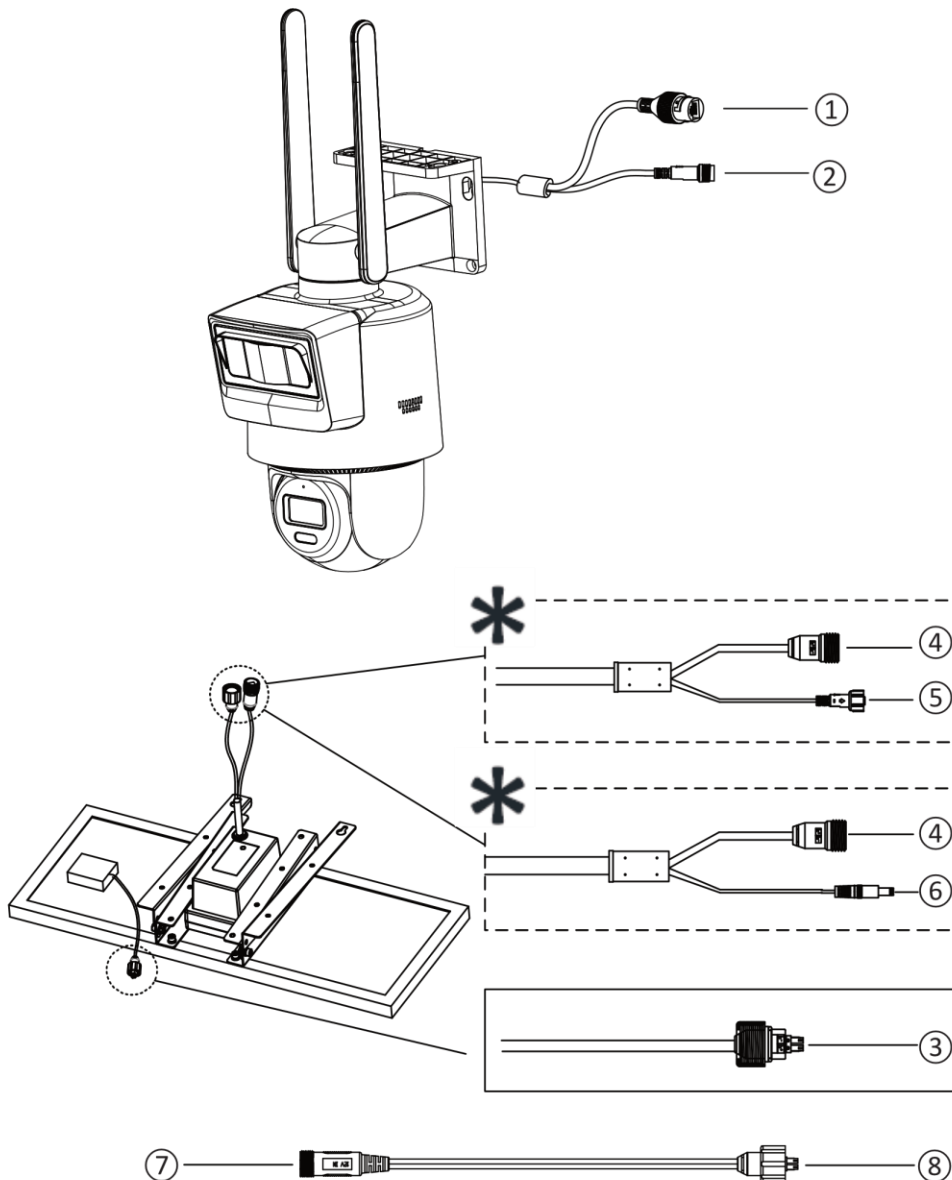
Protective Measures for
Outdoor Installation



Activate and Access
Network Camera



A Interface



Camera:

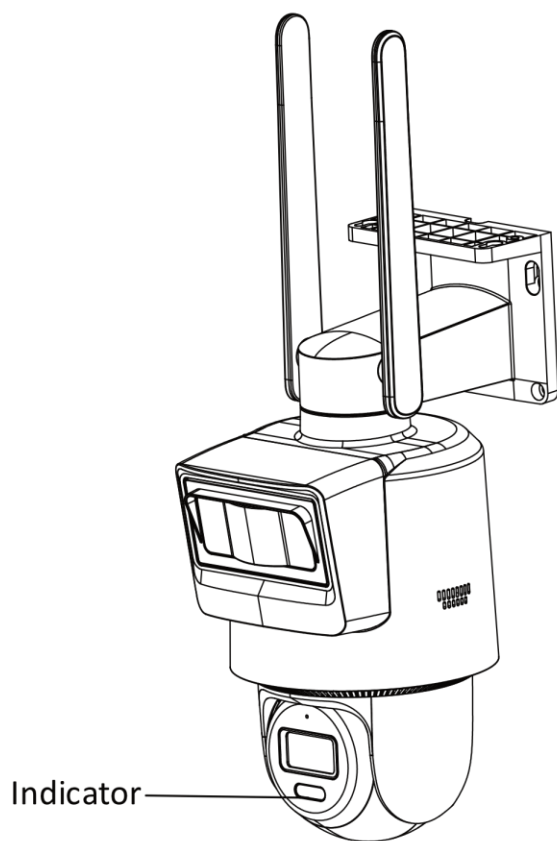
- ① Network interface: For network debugging only. Disconnect the interface after debugging.
- ② Power input interface: Connect it with ⑤ or ⑥ for camera power input.

Solar-powered supply system:

- ③ Solar panel power output interface: Connect it with ④ for battery power supply.
- ④ Battery power input interface: Connect it with ③ for battery power input.
- ⑤ Load output interface: It is used to connect the battery with external devices such as the camera for power supply. You can view the battery percentage with the browser, software, and app. The client varies with the models.
- ⑥ Load output interface: It is used to connect the battery with external devices such as the camera for power supply.
- ⑦&⑧ Converter interface:
Before the initial use of the solar-powered supply system, it is recommended to charge the battery with a power adapter. Connect ⑧ with ④ and connect ⑦ with a 12 VDC power adapter. The converter cable is for debugging only. Disconnect the interface after debugging.

Note: The interface varies with the models. Please refer to the product datasheet for details.

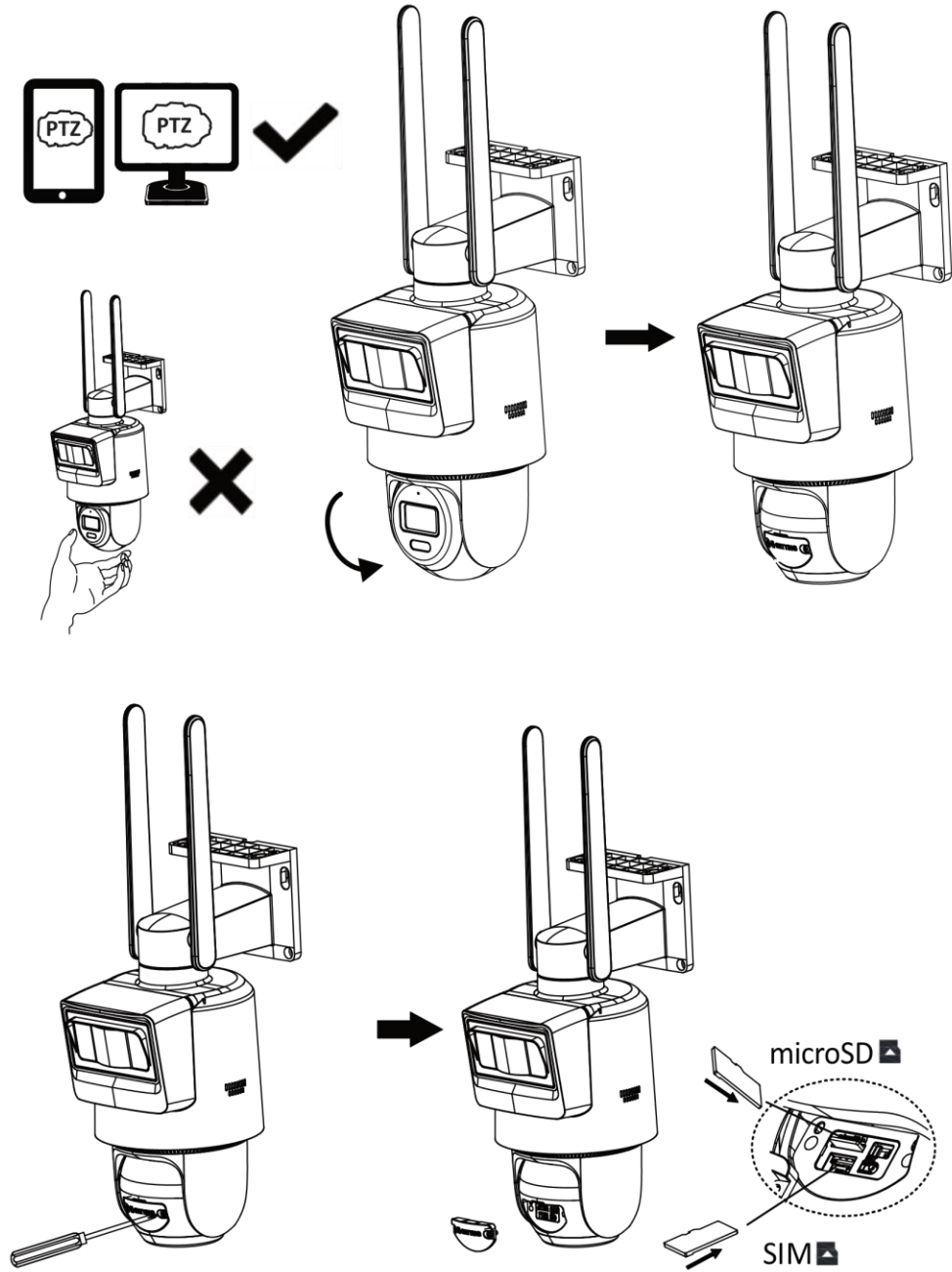
B Camera Indicator



Indicator:

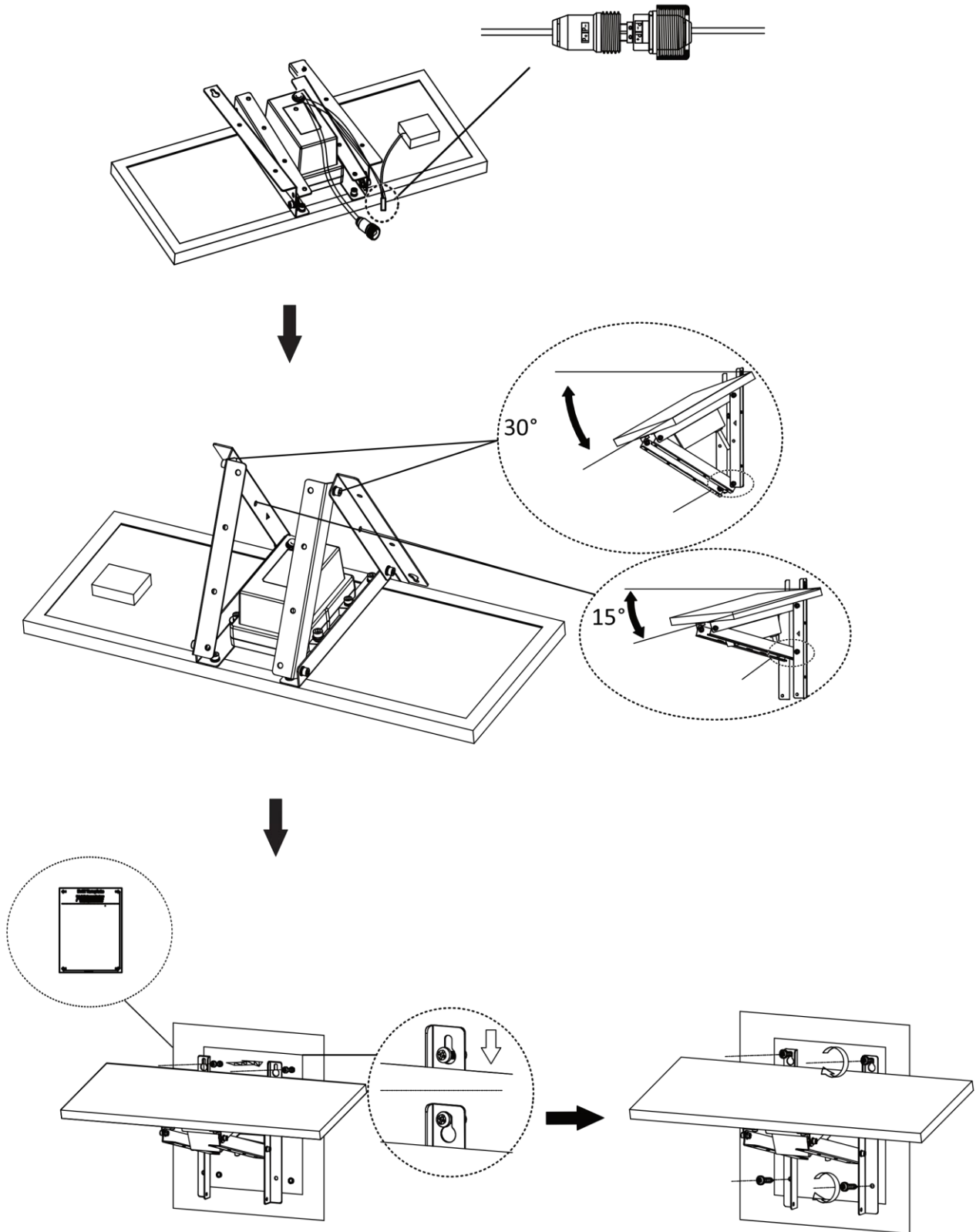
- ① Solid red: The camera is powering up.
- ② Fast-flashing red: Memory card exception or other exceptions, such as the temperature sensor exception.
- ③ Slow-flashing red (1): The camera is not activated and not connected to the network. The frequency is approximately on for 2 seconds, off for 2 seconds.
- ④ Slow-flashing red (2): The camera is in low power mode (sleep mode). The frequency is approximately on for 2 seconds, off for 5 seconds.
- ⑤ Fast-flashing blue: Network connection failed.
- ⑥ Slow-flashing blue: The camera is operating normally or waiting for activation.

C MicroSD Card and SIM Card Installation

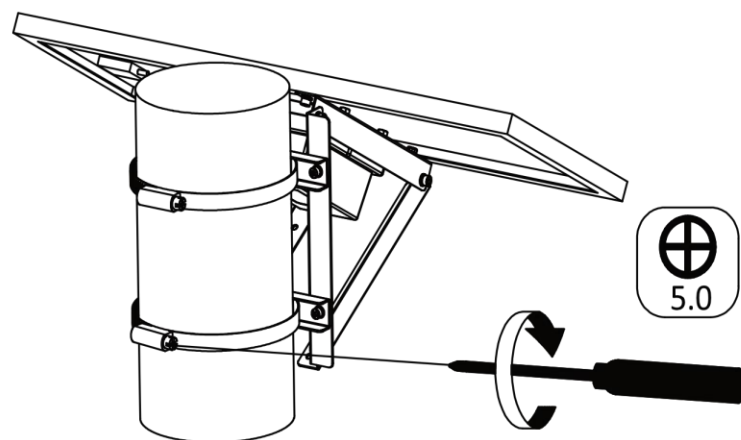
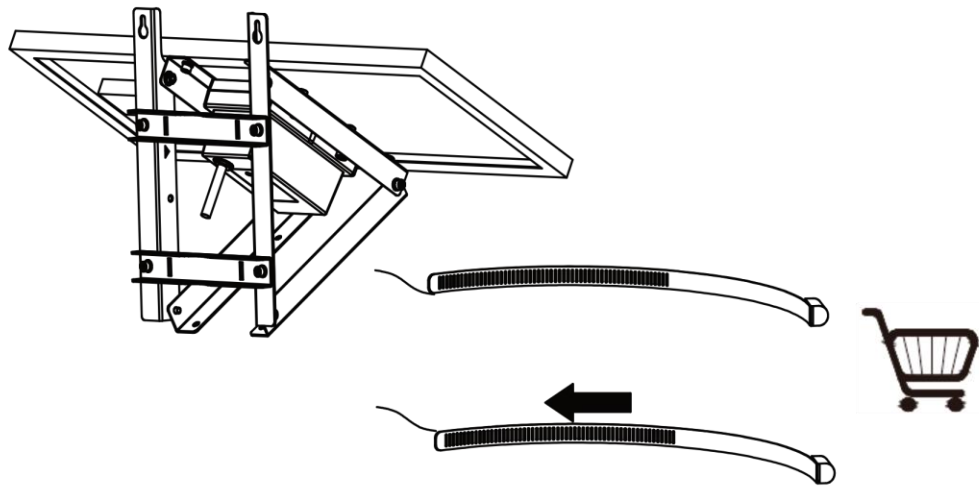
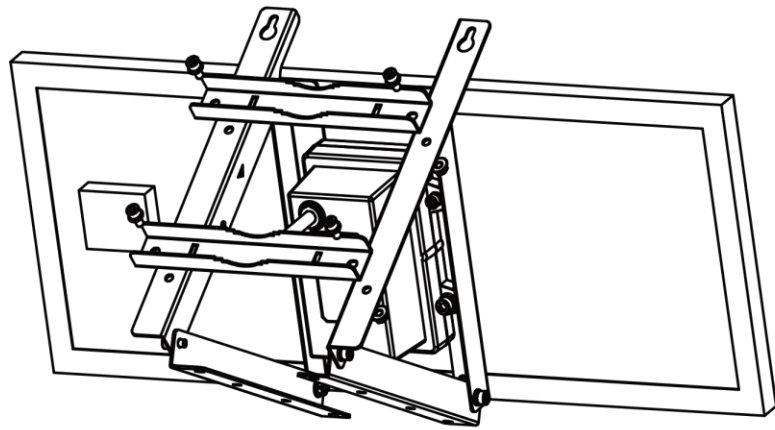


D Solar-Powered Supply System Installation

D.1 Wall Mount

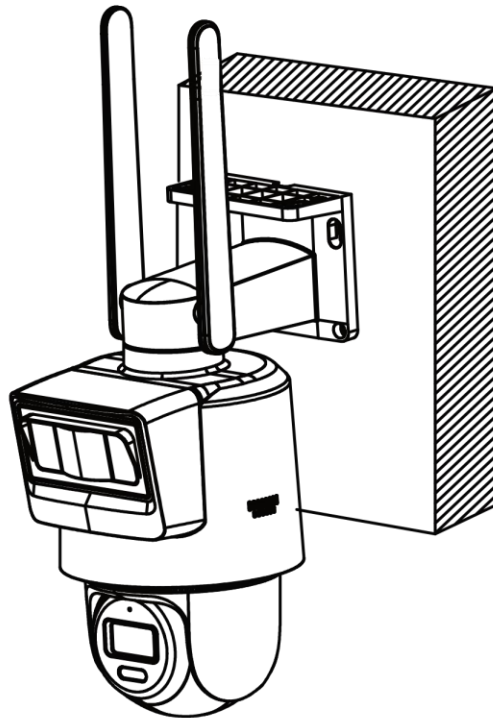
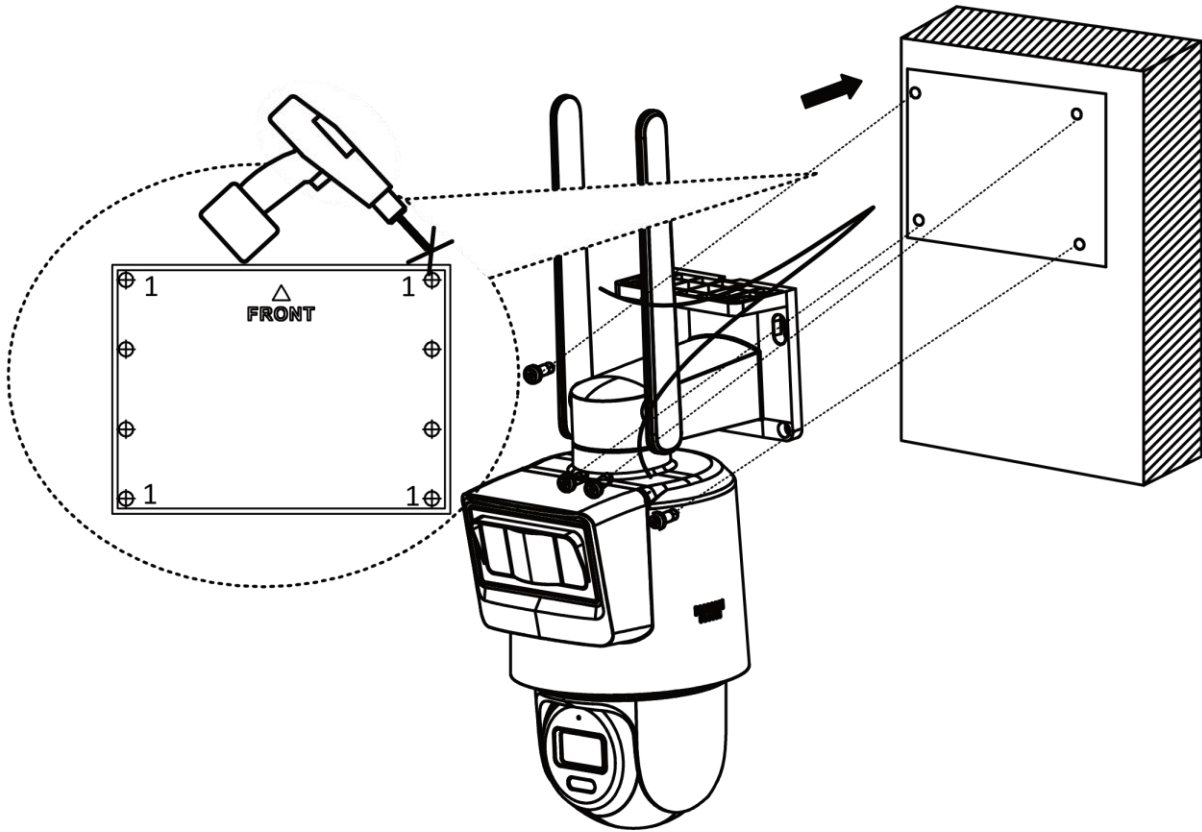


D.2 Vertical Pole Mount

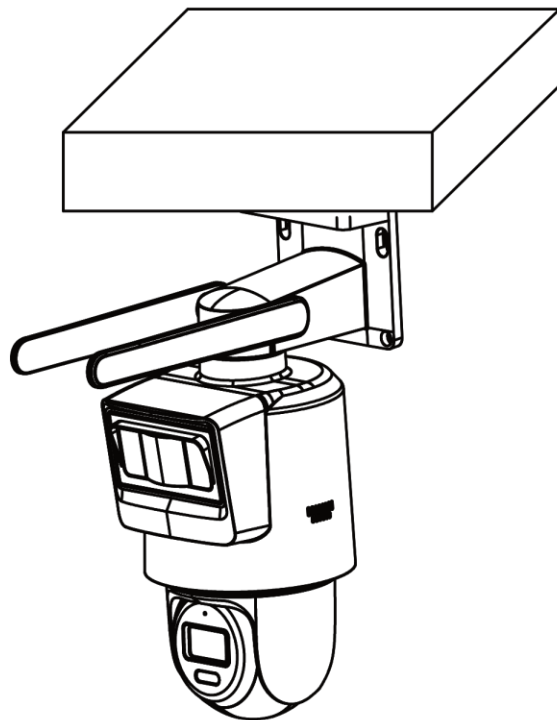
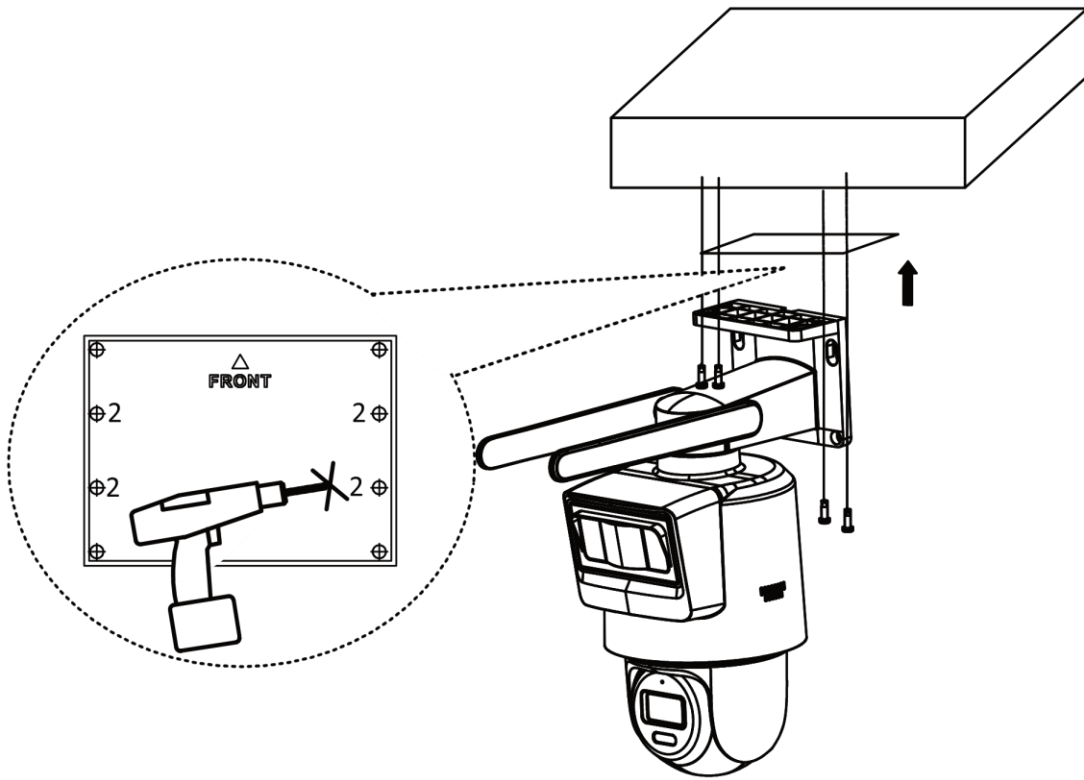


E Camera Installation

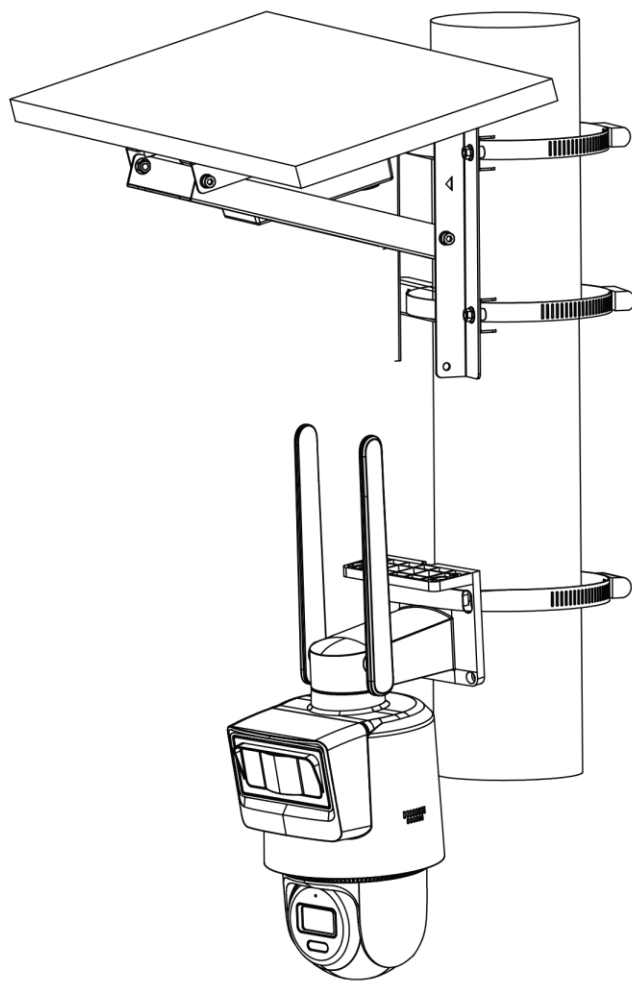
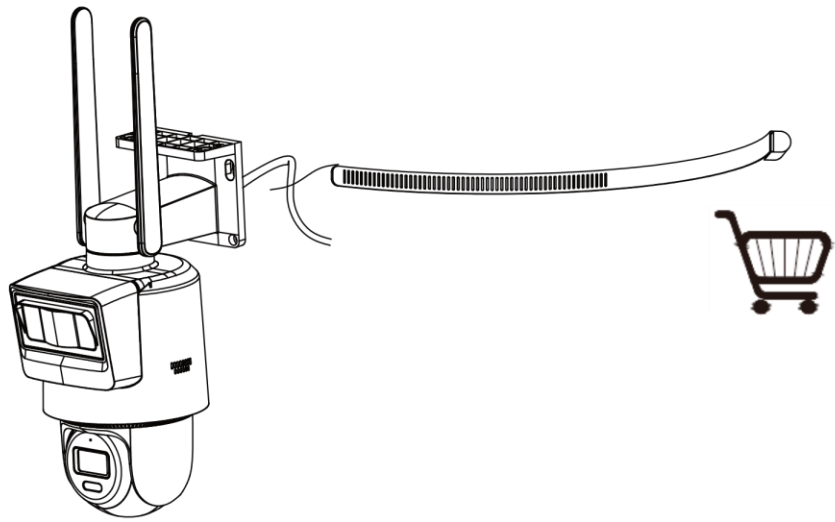
E.1 Wall Mount



E.2 Ceiling Mount

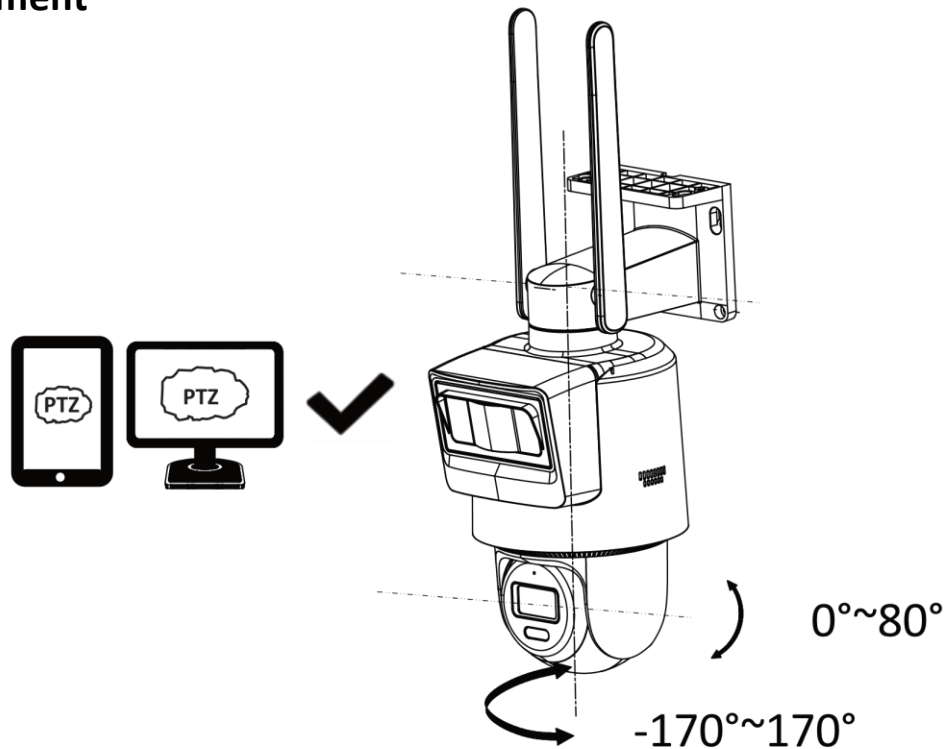


E.3 Vertical Pole Mount

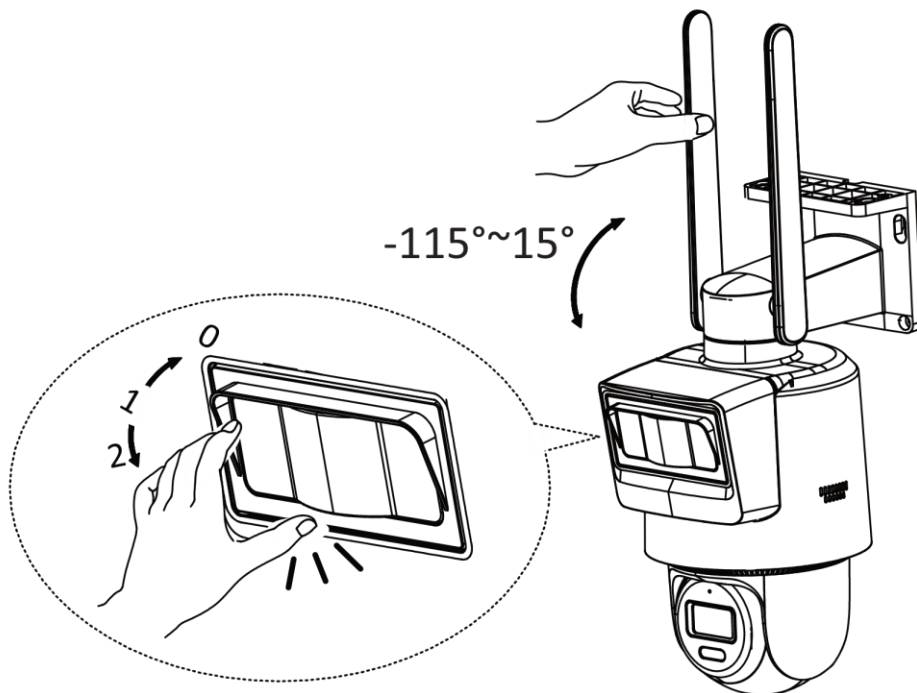


F Camera: Angle Adjustment

F.1 View Adjustment

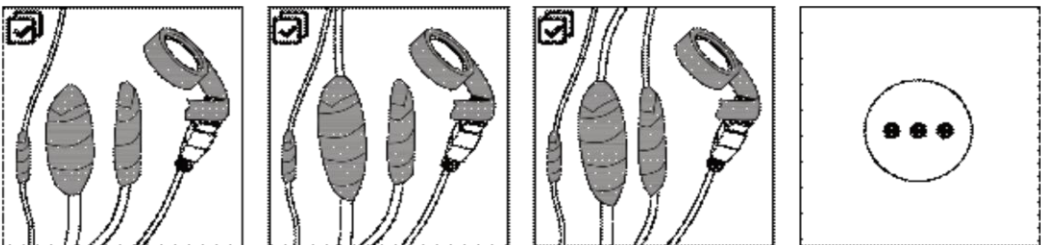
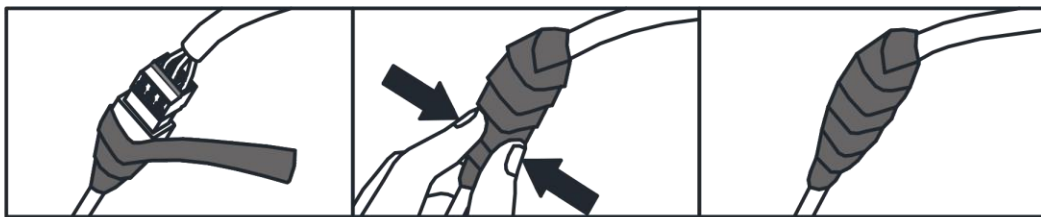
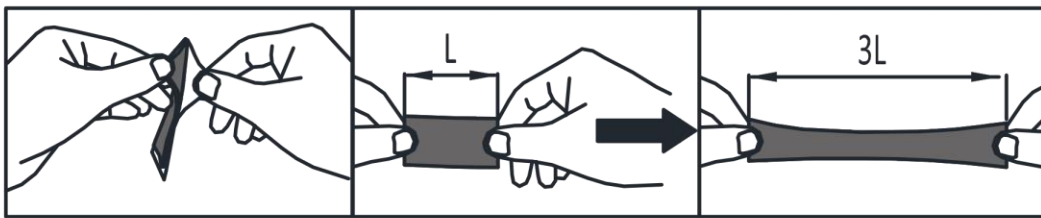
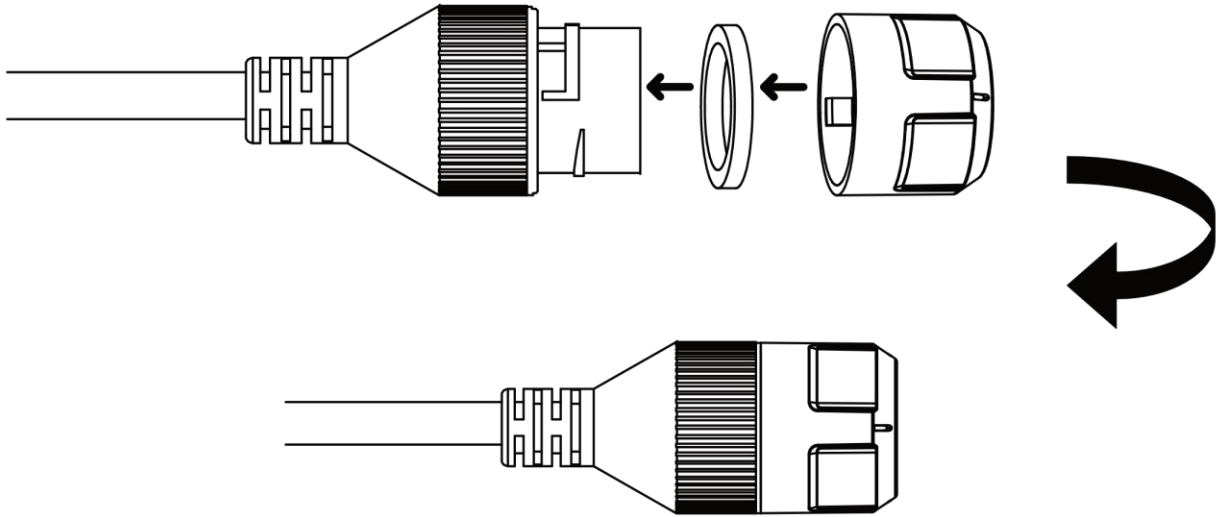


F.2 Antenna and Radar Adjustment



Note: The adjustable angle varies with the models. For the radar detection angle, please refer to the product datasheet for details.

G Waterproof for Outdoor Installation





See Far, Go Further