

4MP LightHunter Deep Learning Bullet Network Camera

IPC264SA-DZK



Key Features



Optics

- 1/1.8", Powered by lighthunter
- Smart IR, up to 50m (164 ft) IR distance
- Up to 120 dB Optical WDR (Wide Dynamic Range)
- Adaptive fogging

Smart

- Face metering, intelligent adjustment of face brightness
- Capture faces upon successful recognition or triggered by alarm input
- Automatic selection of best snapshots
- People Counting, statistics of people entering, leaving and the total number
- Perimeter Protection, include Cross Line, Intrusion, Enter Area, Leave Area detection
- Exception Detection and Statistics, include Object Moving, Object Left, Defocus, Scene Change

Compression

- Ultra 265, H.265, H.264, MJPEG
- Triple streams
- 2688*1520@30fps in the main stream
- ROI (Region of Interest)

Network

- ONVIF Conformance

Structure

- DC12V or AC24V or PoE power supply
- Wide voltage range of $\pm 25\%$ in AC, $-10\% \sim +25\%$ in DC
- Micro SD, up to 256 GB
- Alarm 2 in and 1 out, Audio 1 in and 1 out
- IP67 ingress protection
- IK10 vandal resistant

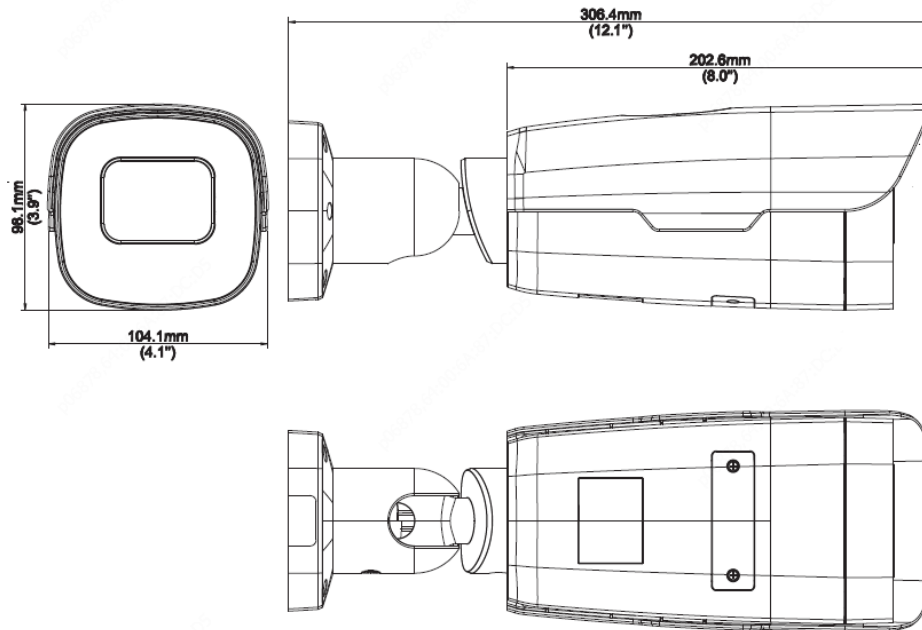
Specifications

| IPC264SA-DZK | | | | | |
|-------------------|---|--------------|--------------|---------------|--------------|
| Camera | | | | | |
| Sensor | 1/1.8", 4.0 megapixel, progressive scan, CMOS | | | | |
| Lens | 2.8-12mm@F1.2, AF automatic focusing and motorized zoom lens | | | | |
| Iris | Auto aperture | | | | |
| DORI Distance | Lens (mm) | Detect (m) | Observe (m) | Recognize (m) | Identify (m) |
| | 2.8 | 42(137.8ft) | 16.8(55.1ft) | 8.4(27.6ft) | 4.2(13.8ft) |
| | 12 | 180(590.4ft) | 72(236.2ft) | 36(118.1ft) | 18(59.0ft) |
| Angle of View (H) | 35.6°~107.9° | | | | |
| Angle of View (V) | 20.4°~75.4° | | | | |
| Angle of View (O) | 43.8°~140.3° | | | | |
| Shutter | Auto/Manual, 1 ~ 1/100000s | | | | |
| Min. Illumination | Colour:0.0005lux (F1.2, AGC ON) 0 lux with IR | | | | |
| WDR | 120dB | | | | |
| Day/Night | IR-cut filter with auto switch (ICR) | | | | |
| S/N | >55dB | | | | |
| IR Range | Up to 50m (164 ft) IR range | | | | |
| Wavelength | 850nm | | | | |
| IR On/Off Control | Auto/Manual | | | | |
| Defog | Digital Defog | | | | |
| Video | | | | | |
| Video Compression | Ultra 265,H.265,H.264,MJPEG | | | | |
| Frame Rate | Main Stream: 4MP(2688*1520),Max 30fps; 4MP(2560*1440),Max 30fps; 2MP(1920*1080),Max 60fps Sub Stream: 2MP (1920*1080), Max 60fps; Third Stream: D1 (720*576), Max 60fps | | | | |
| Video Bit Rate | 128 Kbps~16 Mbps | | | | |
| ROI | Supported | | | | |
| Video stream | Triple streams | | | | |
| OSD | Up to 8 OSDs | | | | |
| Privacy Mask | Up to 8 areas (8 blacks / 4blacks+4mosaic) | | | | |
| Image | | | | | |
| White Balance | Auto/Outdoor/Fine Tune/Sodium Lamp/Locked/Auto2 | | | | |

| | |
|------------------------------------|--|
| Digital noise reduction | 2D/3D DNR |
| Smart IR | Support |
| Flip | Normal/Flip Vertical/Flip Horizontal/180°/90°Clockwise/90°Anti-clockwise |
| HLC | Support |
| BLC | Support |
| Smart | |
| Behavior Detection | Support false alarm filtering , Line crossing detection, Intrusion detection, Region entrance detection, Region exit detection ; Motion detection ; |
| Exception Detection And Statistics | Object Moving, Object Left, Defocus, Scene Change |
| Recognition | Face detection, support collecting 3 kinds of face attributes includes Age, Gender, Glasses ; Audio detection |
| Statistical Analysis | People counting, support tripwire people counting and area people counting |
| General Function | Watermark, IP Address Filtering, Tampering Alarm, Alarm input, Alarm output, Access Policy, ARP Protection, RTSP Authentication, User Authentication |
| Audio | |
| Audio Compression | G.711U,G.711A |
| Two way audio | Supported |
| Sampling Rate | 8KHZ |
| Storage | |
| Edge Storage | Micro SD, up to 256 GB |
| Network Storage | ANR,NAS(NFS) |
| Network | |
| Protocols | IPv4, IGMP, ICMP, ARP, TCP, UDP, DHCP, PPPoE, RTP, RTSP, RTCP, DNS, DDNS, NTP, FTP, UPnP, HTTP, HTTPS, SMTP, 802.1x, SNMP, QoS, RTMP |
| Compatible Integration | ONVIF (Profile S, Profile G, Profile T), API |
| Client | EZStation Ezview EZLive |
| Web Browser | Plug-in required live view: IE9+, Chrome 41 and below, Firefox 52 and below |
| | Plug-in free live view: Chrome 57.0+, Firefox 58.0+, Edge 16+, Safari 11+ |
| Interface | |
| Audio I/O | Audio cable |
| | 1 Input: impedance 35kΩ; amplitude 2V [p-p] |
| | 1 output: impedance 600Ω; amplitude 2V [p-p] |
| Alarm I/O | 2/1 |
| Network | 1 x RJ45 10M/100M Base-TX Ethernet |
| Serial Port | 1 RS485 |
| Certifications | |
| Certifications | CE: EN 60950-1 UL: UL60950-1 FCC: FCC Part 15 |
| General | |
| Power | AC24V±25%, DC12V(-10%~+25%), PoE(IEEE802.3at) |
| | Power consumption: Max 13.3W |
| | Support overcurrent protection , Input short circuit protection |
| Dimensions (Ø x H) | Φ306.4x104.1x98.1mm(Φ12.1"x4.1"x3.9") |
| Net Weight | 1.65kg(3.64lb) |
| Material | Sun shield: plastic |

| | |
|---------------------|---|
| | Front cover: plastic Body: metal Bracket: metal |
| Working Environment | -30°C~60°C(-22°F ~ 140°F), Humidity: ≤95% RH (non-condensing) |
| Storage Environment | -40°C~70°C(-40°F ~ 158°F), Humidity: ≤95% RH (non-condensing) |
| Surge protection | 6KV |
| Vandal Resistant | IK10 |
| Ingress Protection | IP67 |

Dimensions

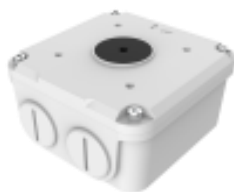


Accessories

TR-JB07-D-IN



TR-JB06-A-IN



TR-UP06-B-IN

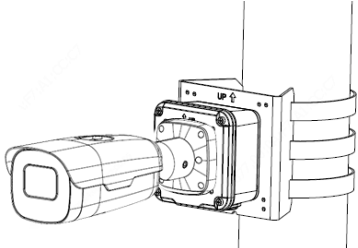
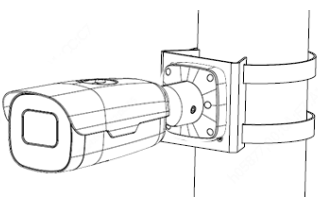


TR-UP06-C-IN



TR-A01-IN



| Junction Mount | Pole Mount |
|---|--|
| TR-JB07-D-IN(TR-JB06-A-IN)+ TR-UP06-C-IN | TR-UP06-B-IN |
|  |  |

Zhejiang Uniview Technologies Co., Ltd.

Building No.10, Wanlun Science Park, Jiangling Road 88, Binjiang District, Hangzhou, Zhejiang, China (310051)

Email: overseasbusiness@uniview.com; globalsupport@uniview.com

<http://www.uniview.com>

©2020 Zhejiang Uniview Technologies Co., Ltd. All rights reserved.

*Product specifications and availability are subject to change without notice.