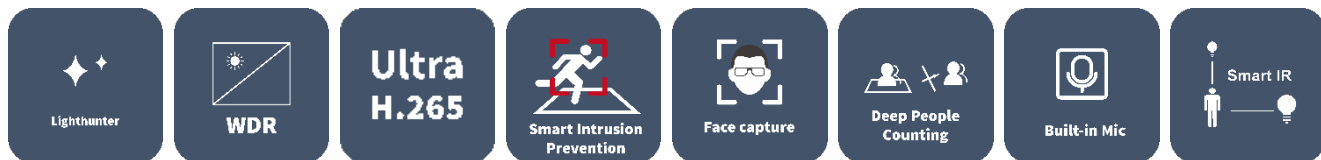


5MP LightHunter Intelligent Mini Fixed Bullet Network Camera

IPC2125SS-ADF28(40)KM-I0



Key Features



Optics

- 1/2.7", Powered by lighthunter
- SmartIR, up to 50m (164 ft) IR distance
- Up to 120 dB Optical WDR (Wide Dynamic Range)

Smart

- Smart intrusion prevention, support false alarm filtering, include Cross Line, Intrusion, Enter Area, Leave Area detection
- Face capture, automatic selection of best snapshots, support face detection masked area
- People Counting, support people flow counting and crowd density monitoring, suitable for different statistical scenarios

Compression

- Ultra 265, H.265, H.264, MJPEG
- Triple streams
- 2592*1944@20fps in the main stream
- ROI (Region of Interest)

Network

- ONVIF Conformance

Structure

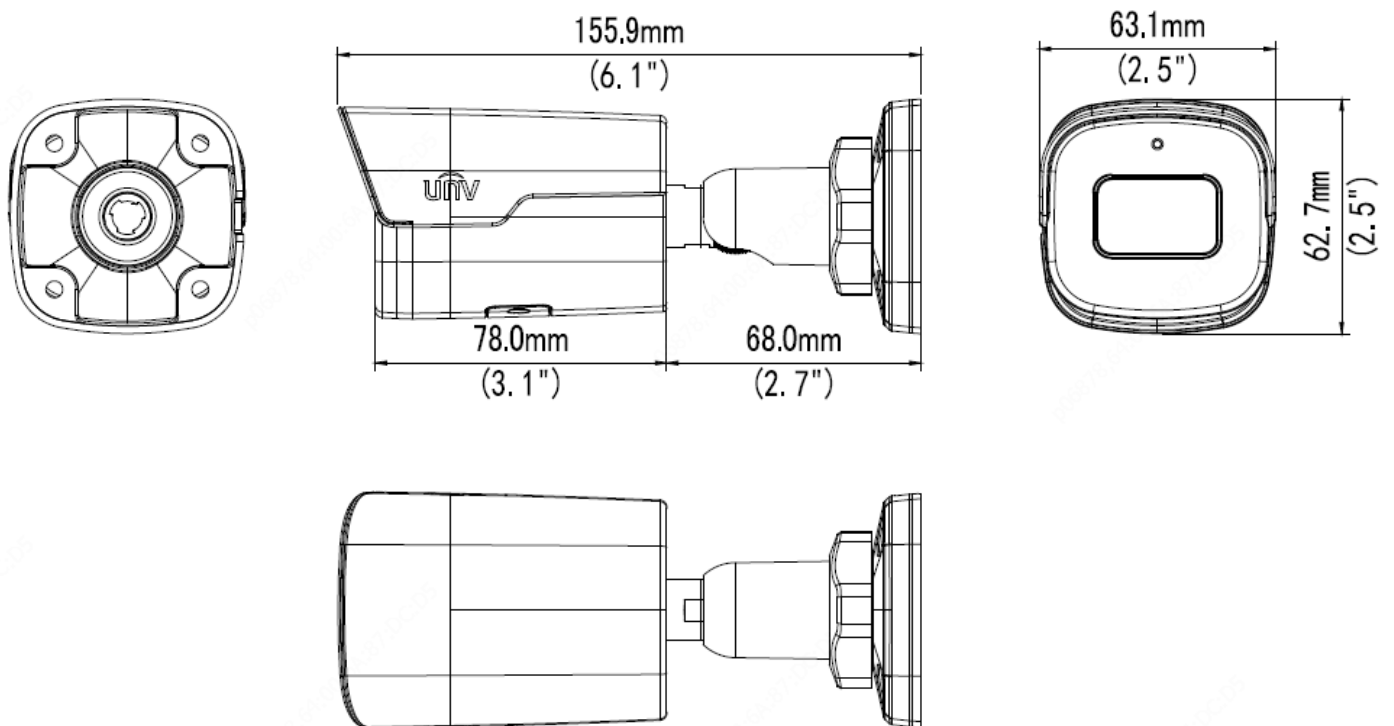
- DC12V or PoE power supply
- Wide voltage range of $\pm 25\%$ in DC
- Micro SD, up to 256 GB
- IP67 ingress protection

Specifications

	IPC2125SS-ADF28KM-IO			IPC2125SS-ADF40KM-IO		
Camera						
Sensor	1/2.7", 5.0 megapixel, progressive scan, CMOS					
Lens	2.8mm@F1.6			4mm@F1.6		
Iris	Fixed aperture					
DORI Distance	Lens (mm)	Detect (m)	Observe (m)	Recognize (m)	Identify (m)	
	2.8	63.0(206.7ft)	25.2(82.7ft)	12.6(41.3ft)	6.3(20.7ft)	
	4	90.0(295.3ft)	36.0(118.1ft)	18.0(59.1ft)	9.0(29.5ft)	
Angle of View (H)	97.7°			79.6°		
Angle of View (V)	68.5°			56.6°		
Angle of View (O)	127.0°			97.9°		
Shutter	Auto/Manual, 1 ~ 1/100000s					
Min. Illumination	Colour:0.003lux (F1.6, AGC ON) 0 lux with IR					
WDR	120dB					
Day/Night	IR-cut filter with auto switch (ICR)					
S/N	>56dB					
IR Range	Up to 50m (164 ft) IR range					
Wavelength	850nm					
IR On/Off Control	Auto/Manual					
Defog	Digital Defog					
Video						
Video Compression	Ultra 265,H.265,H.264,MJPEG					
Frame Rate	Main Stream: 5MP(2592*1944),Max 20fps; 4MP(2560*1440),Max 30fps; 3MP(2304*1296),Max 30fps; 2MP(1920*1080),Max 30fps; Sub Stream: 2MP (1920*1080), Max 30fps; Third Stream: D1 (720*576), Max 30fps					
Video Bit Rate	128 Kbps~16 Mbps					
ROI	Supported					
Video stream	Triple streams					
OSD	Up to 8 OSDs					
Privacy Mask	Up to 8 areas(8 blacks/8 mosaics)					
Image						
White Balance	Auto/Outdoor/Fine Tune/Sodium Lamp/Locked/Auto2					
Digital noise reduction	2D/3D DNR					
Smart IR	Support					

Flip	Normal/Flip Vertical/Flip Horizontal/180°/90°Clockwise/90°Anti-clockwise
HLC	Support
BLC	Support
Intelligent	
Smart intrusion Prevention	Support false alarm filtering: Cross Line detection, Intrusion detection, Enter Area detection, Leave Area detection
Recognition	Face capture Support face detection masked area
Statistical Analysis	People counting, support people flow counting and crowd density monitoring
Events	
Basic Detection	Motion detection, Audio detection, Tampering alarm
General Function	Watermark, IP Address Filtering,, Access Policy, ARP Protection, RTSP Authentication, User Authentication
Exception Detection And Statistics	Object Removed, Object Left Behind
Audio	
Audio Compression	G.711U,G.711A
Suppression	Supported
Sampling Rate	8KHZ
Storage	
Edge Storage	Micro SD, up to 256 GB
Network Storage	ANR,NAS(NFS)
Network	
Protocols	IPv4, IGMP, ICMP, ARP, TCP, UDP, DHCP, PPPoE, RTP, RTSP, RTCP, DNS, DDNS, NTP, FTP, UPnP, HTTP, HTTPS, SMTP, 802.1x, SNMP, QoS, RTMP
Compatible Integration	ONVIF (Profile S, Profile G, Profile T), API
Client	EZStation Ezview EZLive
Web Browser	Plug-in required live view: IE9+, Chrome 41 and below, Firefox 52 and below
Interface	
Audio	Build-in Mic
Network	1 x RJ45 10M/100M Base-TX Ethernet
Certifications	
Certifications	CE: EN 60950-1 UL: UL60950-1 FCC: FCC Part 15
General	
Power	DC12V(±25%), PoE(IEEE802.3af)
	Power consumption: Max 5W
Dimensions (Ø x H)	Φ155.9x63.1x62.7mm(Φ6.1''x2.5''x2.5'')
Net Weight	0.4kg(0.88lb)
Material	Metal
Working Environment	-40°C ~ 60°C (-40°F ~ 140°F), Humidity: ≤95% RH (non-condensing)
Storage Environment	-40°C ~ 70°C (-40°F ~ 158°F), Humidity: ≤95% RH (non-condensing)
Surge protection	2KV
Ingress Protection	IP67

Dimensions



Accessories

TR-JB05-A-IN



TR-UP06-B-IN

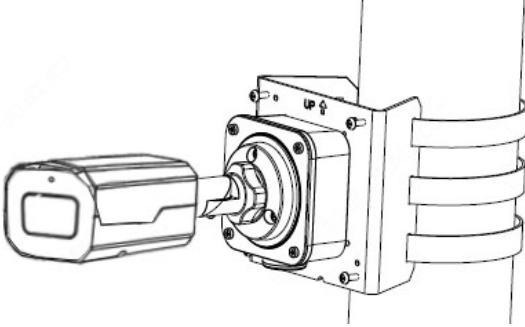
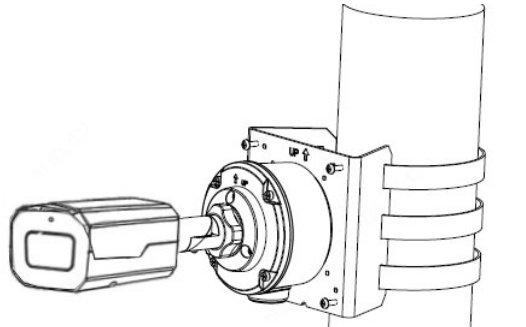


TR-UP06-C-IN



TR-A01-IN



Junction Mount	Pole Mount
TR-UP06-B-IN	TR-JB05-A-IN + TR-UP06-C-IN + TR-A01-IN
	

Zhejiang Uniview Technologies Co., Ltd.

Building No.10, Wanlun Science Park, Jiangling Road 88, Binjiang District, Hangzhou, Zhejiang, China (310051)

Email: overseasbusiness@uniview.com; globalsupport@uniview.com

<http://www.uniview.com>

©2020-2021 Zhejiang Uniview Technologies Co., Ltd. All rights reserved.

*Product specifications and availability are subject to change without notice.