

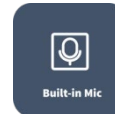
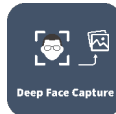
4MP HD Intelligent LightHunter Cable-free IR VF Dome Network Camera

IPC3534SB-ADNZK-IO



Key Features

4MP



- High quality image with 4MP, 1/2.7"CMOS sensor
- 4MP (2688*1520)@ 30/25fps; 4MP (2560*1440)@ 30/25fps; 3MP (2304*1296) @30/25fps; 2MP (1920*1080) @30/25fps;
- Ultra 265, H.265, H.264, MJPEG
- Smart intrusion prevention, include cross line, intrusion, enter area, leave area detection
- Based on target classification, smart intrusion prevention significantly reduce false alarm caused by leaves, birds and lights etc., accurately focus on human and, motor vehicle and non-motor vehicle
- Intelligent face capture
- Intelligent People Flow Counting and Crowd Density Monitoring
- 120dB true WDR technology enables clear image in strong light scene
- Support 9:16 Corridor Mode
- Built-in Mic
- Smart IR, up to 30m (98 ft) IR distance
- Supports 256 G Micro SD card
- Cable-free
- Support PoE power supply

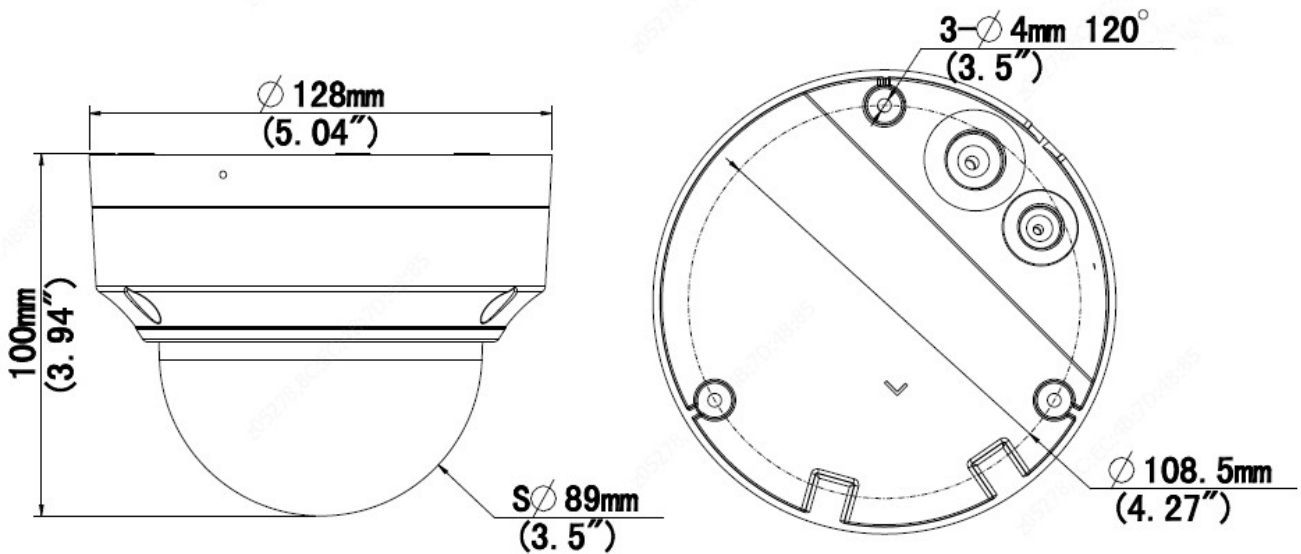
Specifications

| | | | | | |
|-------------------------|---|----------------|-------------|-------------------|--------------|
| | IPC3534SB-ADNZK-I0 | | | | |
| Camera | | | | | |
| Sensor | 1/2.7", 4.0 megapixel, progressive scan, CMOS | | | | |
| Minimum Illumination | Colour: 0.002Lux (F1.2, AGC ON) 0Lux with IR | | | | |
| Day/Night | IR-cut filter with auto switch (ICR) | | | | |
| Shutter | Auto/Manual, 1 ~ 1/100000s | | | | |
| Adjustment angle | Pan: 0° ~ 356° | Tilt: 0° ~ 70° | | Rotate: 0° ~ 356° | |
| WDR | 120dB | | | | |
| S/N | >56dB | | | | |
| Lens | | | | | |
| Lens | 2.7 ~ 13.5mm, AF automatic focusing and motorized zoom lens | | | | |
| Angle of View (H) | 103.58° ~ 31.05° | | | | |
| Angle of View (V) | 54.37° ~ 17.55° | | | | |
| Angle of View (O) | 134.65° ~ 36.63° | | | | |
| DORI | | | | | |
| DORI Distance | Lens (mm) | Detect (m) | Observe (m) | Recognize (m) | Identify (m) |
| | 2.7 | 60.8 | 24.3 | 12.2 | 6.1 |
| | 13.5 | 303.8 | 121.5 | 60.8 | 30.4 |
| Illuminator | | | | | |
| IR Range | Up to 30m (98ft) IR range | | | | |
| Wavelength | 850nm | | | | |
| IR On/Off Control | Auto/Manual | | | | |
| Video | | | | | |
| Video Compression | Ultra 265, H.265, H.264, MJPEG | | | | |
| Frame Rate | Main Stream: 4MP (2688*1520), Max 30fps; 4MP (2560*1440), Max 30fps; 3MP (2304*1296), Max 30fps; 1080P(1920*1080), Max 30fps Sub Stream: 720P (1280*720), Max 30fps; D1 (720*576), Max 30fps; 640*360, Max 30fps; Third Stream: D1 (720*576), Max 30fps; 640*360, Max 30fps; 2CIF(704*288), Max 30fps; CIF(352*288), Max 30fps; | | | | |
| Video Bit Rate | 128 Kbps~16 Mbps | | | | |
| U-code | Support | | | | |
| ROI | Up to 8 areas | | | | |
| Video Stream | Triple streams | | | | |
| OSD | Up to 8 OSDs | | | | |
| Privacy Mask | Up to 4 areas | | | | |
| Image | | | | | |
| White Balance | Auto/Outdoor/Fine Tune/Sodium Lamp/Locked/Auto2 | | | | |
| Image Setting | Image rotation, brightness, saturation, contrast, sharpness, gain adjustable by web browser | | | | |
| Digital noise reduction | 2D/3D DNR | | | | |
| Smart IR | Support | | | | |
| Flip | Normal/Vertical/Horizontal/180°/90°Clockwise/90°Anti-clockwise | | | | |
| Dewarping | NA | | | | |

| | |
|----------------------------|--|
| HLC | Supported |
| BLC | Supported |
| Defog | Digital Defog |
| Intelligent | |
| Smart Intrusion Prevention | Cross line, intrusion, enter area, leave area detection |
| Face capture | Support |
| People Counting | People Flow Counting, Crowd Density Monitoring |
| Events | |
| Basic Detection | Motion detection, tampering alarm, audio detection |
| General Function | Watermark, IP address filtering, tampering alarm, access policy, ARP protection, RTSP authentication, user authentication |
| Audio | |
| Audio Compression | G.711U, G.711A |
| Audio Bitrate | 64 Kbps |
| Two-way audio | Supported |
| Suppression | Supported |
| Sampling Rate | 8KHZ |
| Storage | |
| Edge Storage | Micro SD, up to 256GB |
| Network Storage | ANR, NAS(NFS) |
| Network | |
| Protocols | IPv4, IGMP, ICMP, ARP, TCP, UDP, DHCP, RTP, RTSP, RTCP, DNS, DDNS, NTP, FTP, UPnP, HTTP, HTTPS, SMTP, SSL, QoS |
| Compatible Integration | ONVIF (Profile S, Profile G, Profile T), API, SDK |
| User/Host | Up to 32 users. 2 user levels: administrator and common user |
| Security | Password protection, Strong password, HTTPS encryption, Export operation logs, Basic and digest authentication for RTSP, Digest authentication for HTTP, TLS 1.2, WSSE and digest authentication for ONVIF |
| Client | EZStation EZView EZLive |
| Web Browser | Plug-in required live view: IE9+, Chrome 41 and below, Firefox 52 and below |
| | Plug-in free live view: Chrome 57.0+, Firefox 58.0+, Edge 16+ |
| Interface | |
| Audio I/O | Input: impedance 35kΩ; amplitude 2V [p-p] |
| | Output: impedance 600Ω; amplitude 2V [p-p] |
| Alarm I/O | 1/1 |
| RS485 | N/A |
| Built-in Mic | Support |
| Built-in Speaker | N/A |
| WIFI | N/A |
| Network | 10M/100M Base-TX Ethernet |
| Video Output | N/A |
| Certifications | |
| EMC | FCC CFR 47 Part 15 EN 55032:2015 EN 55024:2010 EN 61000-3-2:2014 |

| | |
|---------------------|--|
| | EN 61000-3-3-2013 |
| Safety | IEC 62368-1 EN 62368-1 UL 62368-1 |
| Environment | CE-ROHS (2011/65/EU;(EU)2015/863); WEEE (2012/19/EU); REACH (Regulation (EC) No 1907/2006) |
| General | |
| Power | DC 12V±25%, PoE (IEEE 802.3af) |
| | Power consumption: Max 6.5W |
| Power Interface | Cable-free |
| Dimensions (Ø x H) | Ø128mmx100mm (Ø5.04" x 3.94") |
| Net Weight | 0.59kg (1.31lb) |
| Material | Metal |
| Working Environment | -30°C ~ 55°C (-22°F ~ 131°F), Humidity: ≤95% RH (non-condensing) |
| Storage Environment | -30°C ~ 55°C (-22°F ~ 131°F), Humidity: ≤95% RH (non-condensing) |
| Surge Protection | 6KV |
| Ingress Protection | IP66 |
| Vandal Resistant | IK10 |
| Reset Button | Supported |

Dimensions



Accessories

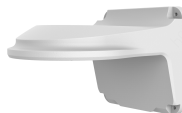
TR-JB03-H-IN



TR-JB07/WM03-F-IN



TR-WM03-B-IN



TR-UP06-IN



TR-A01-IN



TR-SE24-IN

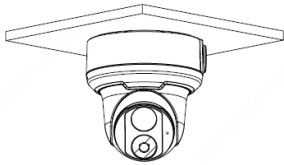
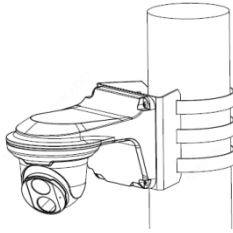
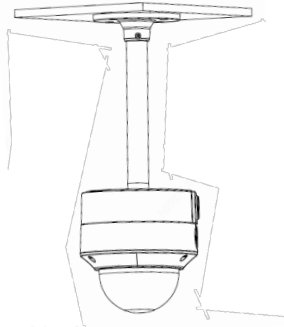


TR-SE24-A-IN



TR-CM24-IN



| Junction Mount | Pole Mount |
|---|--|
| TR-JB03-H-IN | TR-JB07/WM03-F-IN(TR-WM03-B-IN)+TR-UP06-IN |
|  |  |
| TR-CM24-IN+TR-JB03-H-IN | |
|  | |

Zhejiang Uniview Technologies Co., Ltd.

Building No.10, Wanlun Science Park, Jiangling Road 88, Binjiang District, Hangzhou, Zhejiang, China (310051)

Email: overseasbusiness@uniview.com; globalsupport@uniview.com

<http://www.uniview.com>

©2021 Zhejiang Uniview Technologies Co., Ltd. All rights reserved.

*Product specifications and availability are subject to change without notice.