

4MP Dual-spectrum Thermal Network Bullet Camera

TIC2621SR-F3-4F4AC-VD



Key Features



- Thermal & Optical dual-spectrum image, dual video with single IP address, adaptable to more various scenes
- 1/1.8" target surface, high sensitivity sensor, satisfy the need of starlight monitoring
- Support reliable fire detection, smoking detection and fire shield area
- Thermal module supports temperature detection and cold&hot spot tracking which highlights the abnormal temperature, and link to alarm
- Thermal & Optical dual-spectrum smart intrusion prevention: cross line, enter area, leave area, intrusion
- Support picture-in-picture mode, real-time contrast live, more convenient and clear
- Support audio and light alarm, with red and blue warning lights built in
- Ultra 265, H.265, H.264, MJPEG
- Triple streams
- Max 2688*1520@30fps in the optical module and Max 720P@30fps in the thermal module
- DC12V±25% or PoE power supply
- Alarm 2 in and 2 out, Audio 1 in and 1 out, Micro SD, up to 256 GB

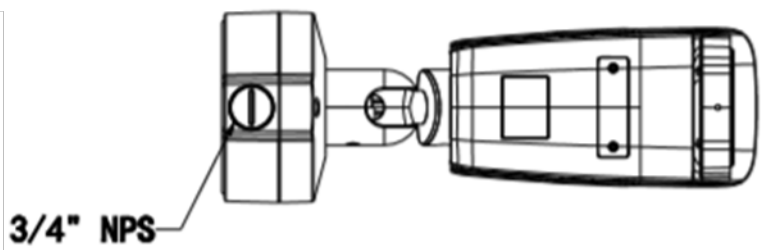
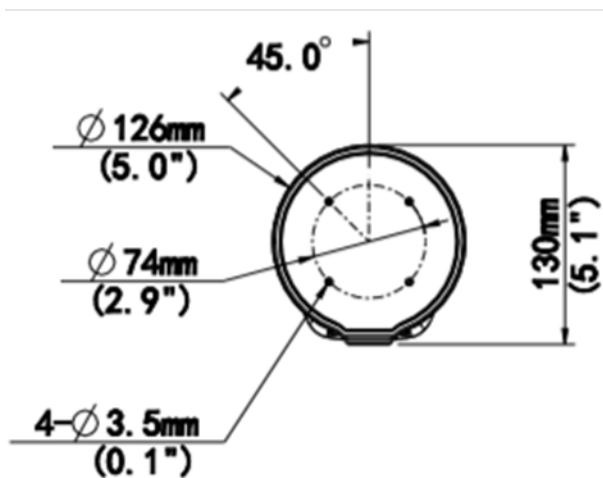
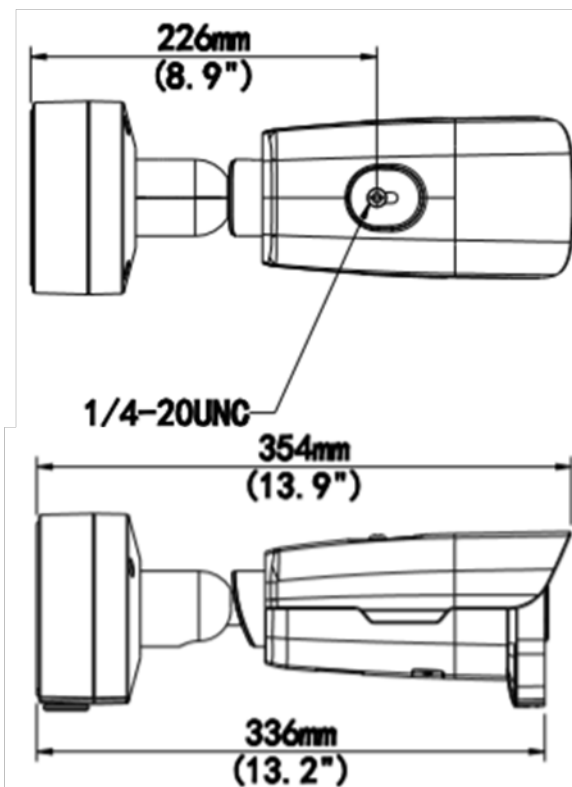
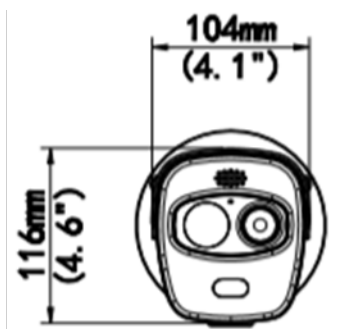
Specifications

	TIC2621SR-F3-4F4AC-VD
Thermal Module	
Sensor type	Vanadium Oxide Uncooled Focal Plane Arrays
Original Resolution	256*192
Angle of View(H*V)	57.0°~42.0°
Video Resolution	720P(1280*720), Max 30fps
Response waveband	8~14μm
Pixel size	12μm
IFOV	3.75mrad
NETD	≤55mk @f/1.0 @25°C
Lens(focal length)	3.2mm@F1.1
Palette	Up to 20 palettes of optional color, including: white hot, lava, iron oxide red, hot iron, medical, arctic, rainbow 1, rainbow 2, rainbow 3, depict hot, ice hot, black hot, mazarine, fusion, red hot, green hot, color 1, color 2, rain, puce
Optical Module	
Sensor	1/1.8", 4.0 megapixel, progressive scan, CMOS
Lens	4mm@F1.6
Iris	Fixed aperture
Angle of View(H*V)	89.9°~49.1°
Video Resolution	4MP(2688*1520), Max 30fps
Shutter	Auto/Manual, 1 ~ 1/100000s
Min. Illumination	Colour:0.001lux (F1.6, AGC ON) B/W: 0.0005lux(F1.6,AGC ON) 0 lux with IR
WDR	120dB
Day/Night	IR-cut filter with auto switch (ICR)
IR Range	Up to 50m (164 ft) IR range
Wavelength	850nm
IR On/Off Control	Auto/Manual
BLC	Supported
Smart (thermal module)	
Fire Detection	Support the detection of fire point in the environment and up to 10 fire points can be detected
Smoking Detection	Support the detection of smoking in the environment and link to alarm
Temperature detection	Support area detection, and link to alarm, the temperature value can be added to the alarm picture Support cold&hot point tracking, timely and clearly shows the abnormal point Up to 12 rules can be set Temperature range: -20°C ~+150°C Temperature accuracy: Max (±8°C/±8%)
Smart intrusion prevention	Support false alarm filtering: Line crossing detection, Intrusion detection, Enter Area, Leave Area Support motor vehicle and pedestrian detection capture and plan arming
Smart (optical module)	
Exception Detection	Object left behind detection, Object removed detection, Scene Change Detection
Smart intrusion prevention	Support false alarm filtering: Line crossing detection, Intrusion detection, Enter Area, Leave Area Support motor vehicle, non-motor vehicle and pedestrian detection capture and plan arming

Event	
Audio and light alarm	Support audio and light warning function, with red and blue warning lights built in
Basic Detection	optical module :Motion detection, Audio detection, Tampering alarm thermal module : Audio detection
General Function	Watermark, IP Address Filtering, Alarm input, Alarm output, Access Policy, ARP Protection, RTSP Authentication, User Authentication
Video	
Compression	Ultra265, H.265, H.264, MJPEG
Video Stream	Triple streams
OSD	Up to 8 OSDs
Privacy Mask	Up to 8 areas per scene
Audio	
Audio Compression	G.711U,G.711A
Two-way audio	Supported, Built in mic and speaker
Sampling Rate	8kHz
Storage	
Edge Storage	Micro SD, up to 256 GB
Network Storage	ANR
Network	
Protocols	IPv4, IGMP, ICMP, ARP, TCP, UDP, DHCP, PPPoE, RTP, RTSP, RTCP, DNS, DDNS, NTP, FTP, UPnP, HTTP, HTTPS, SMTP, 802.1x, SNMP, QoS,
Compatible Integration	ONVIF (Profile S, Profile G, Profile T)
Web Browser	Plug-in required live view: IE9+, Chrome 41 and below, Firefox 52 and below
Interface	
Audio I/O	1/1
Alarm I/O	2/2
Serial Port	1 RS485
Network	1 x RJ45 10M/100M Base-TX Ethernet
General	
Power	DC12V(±25%), PoE(IEEE802.3af)
	Power consumption: Max 12W
	Support reverse polarity protection, Overvoltage and overcurrent protection , Input short circuit protection
Dimensions (Ø x H)	Φ354mm x 104mm x 116mm(Φ13.9" x 4.1" x 4.6")
Weight	1.85kg(4.08lb)
Temperature detection working environment	-10°C ~+50°C(-14°F ~ 122°F) , Humidity: ≤95% RH (non-condensing)
Working Environment	-40°C~70°C(-40°F ~ 158°F), Humidity: ≤95% RH (non-condensing)

*Product performance is based on testing in a controlled environment. Your results may vary due to several external and environmental factors.

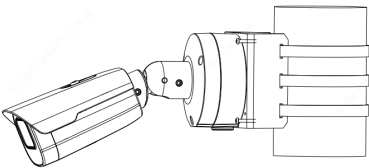
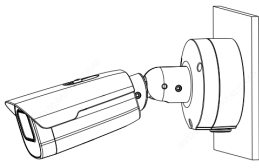
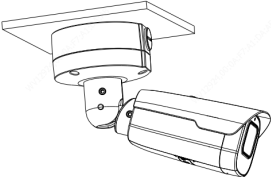
Dimensions



Accessories

TR-UP06-C-IN



Pole Mount	Wall mount
TR-UP06-C-IN	/
	
Pendent mount	
/	
	

Zhejiang Uniview Technologies Co., Ltd.

Building No.10, Wanlun Science Park, Jiangling Road 88, Binjiang District, Hangzhou, Zhejiang, China (310051)

Email: overseasbusiness@uniview.com; globalsupport@uniview.com

<http://www.uniview.com>

©2021 Zhejiang Uniview Technologies Co., Ltd. All rights reserved.

*Product specifications and availability are subject to change without notice.