

## HWN-2108H-8P (D) NVR

### Key Feature

- H.265+/H.265/H.264+/H.264 video compression
- Up to 60 Mbps incoming bandwidth, and 60 Mbps outgoing bandwidth
- Up to 8-ch IP camera inputs
- Up to 4-ch 1080p decoding capability
- HDMI and VGA simultaneous output



### Compression and Recording

- H.265+ compression effectively reduces the storage space by up to 75%
- Full channel recording at up to 4 MP resolution

### Storage and Playback

- 2-ch@4 MP or 4-ch@1080p playback resolution
- 1 SATA interface (up to 6 TB capacity per HDD)

### Smart Function

- Supports line crossing and intrusion detection
- Smart search for the selected area in the video; and smart playback to improve the playback efficiency
- Automatically search and add network cameras after device is activated

### Network & Ethernet Access

- 8 independent PoE network interfaces
- 1 self-adaptive 10/100 Mbps Ethernet interface
- Hik-Connect for easy network management

## ▪ Specification

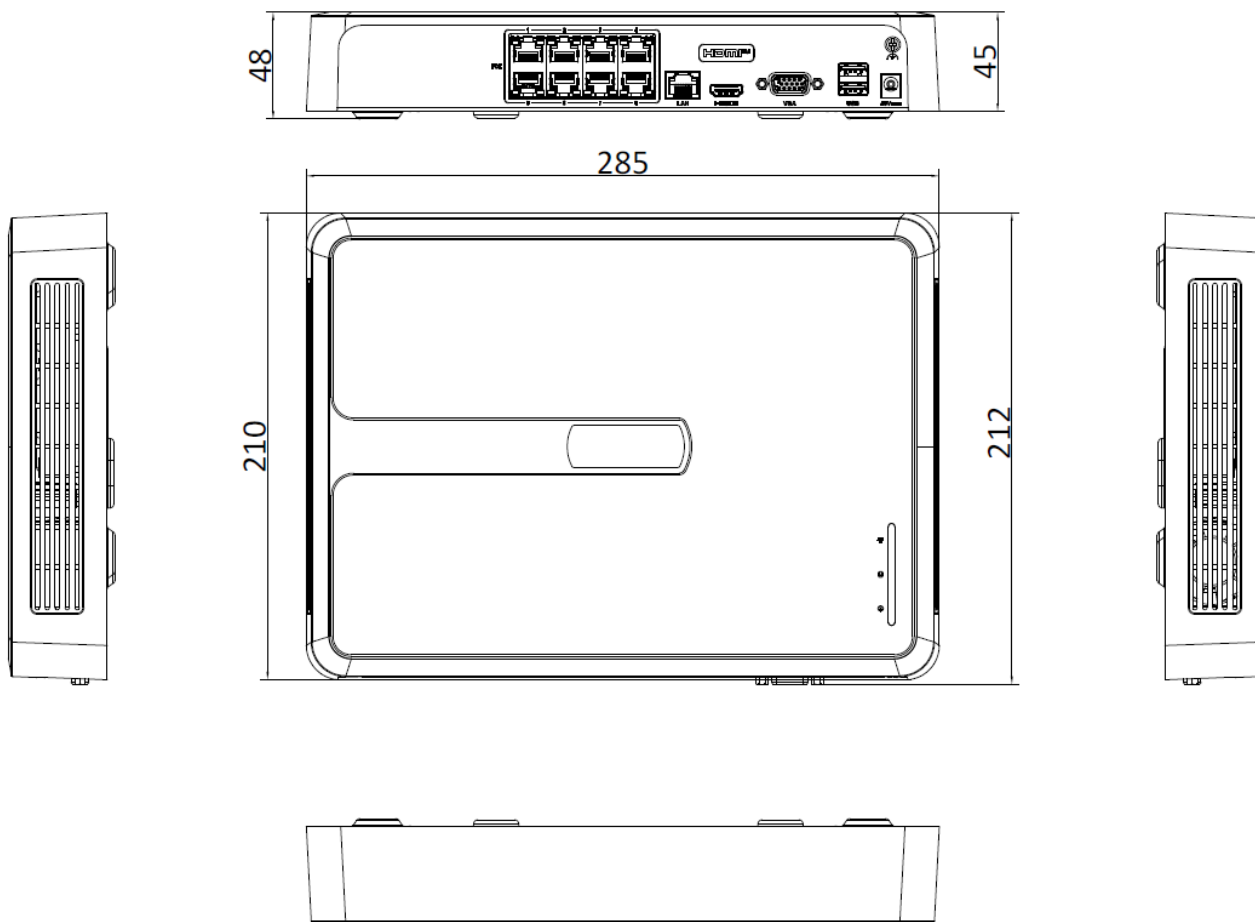
<b>Video and Audio</b>	
IP Video Input	8-ch Up to 6 MP resolution
Incoming Bandwidth	60 Mbps
Outgoing Bandwidth	60 Mbps
HDMI Output	1-ch, 1920 × 1080p/60 Hz, 1600 × 1200/60 Hz, 1280 × 1024/60 Hz, 1280 × 720/60 Hz
VGA Output	1-ch, 1920 × 1080p/60 Hz, 1600 × 1200/60 Hz, 1280 × 1024/60 Hz, 1280 × 720/60 Hz
Video Output Mode	HDMI/VGA simultaneous output
<b>Decoding</b>	
Decoding Format	H.265+/H.265/ H.264+/H.264
Recording Resolution	6 MP/4 MP/3 MP/1080p/UXGA /720p/VGA/4CIF/DCIF/ 2CIF/CIF/QCIF
Synchronous playback	4-ch
Decoding Capability	4-ch@1080p (30 fps) or 2-ch@4 MP (30 fps) or 1-ch@6 MP (30 fps)
Stream Type	Video, Video & Audio
<b>Network</b>	
Remote Connection	16
Network Protocol	TCP/IP, DHCP, Hik-Connect, DNS, DDNS, NTP, SADP, SMTP, UPnP™
Network Interface	1, RJ-45 10/100 Mbps self-adaptive Ethernet interface
<b>PoE</b>	
Interface	8, RJ-45 10/100 Mbps self-adaptive Ethernet interface
Power	≤ 75 W
Standard	IEEE 802.3 af/at
<b>Auxiliary Interface</b>	
SATA	1 SATA interface
Capacity	Up to 6 TB capacity for each disk
Alarm In/Out	N/A
USB Interface	Rear panel: 2 × USB 2.0
<b>General</b>	
Power Supply	48 VDC, 1.8 A
Consumption	≤ 10 W (without HDD and PoE off)
Working Temperature	-10 °C to 55 °C (14 °F to 131 °F)
Working Humidity	10% to 90%
Dimension (W × D × H)	285 × 210 × 48 mm(11.2" × 8.3" × 1.9")
Weight	≤ 1 kg (without HDD, 2.2 lb.)

**Certification**

CE

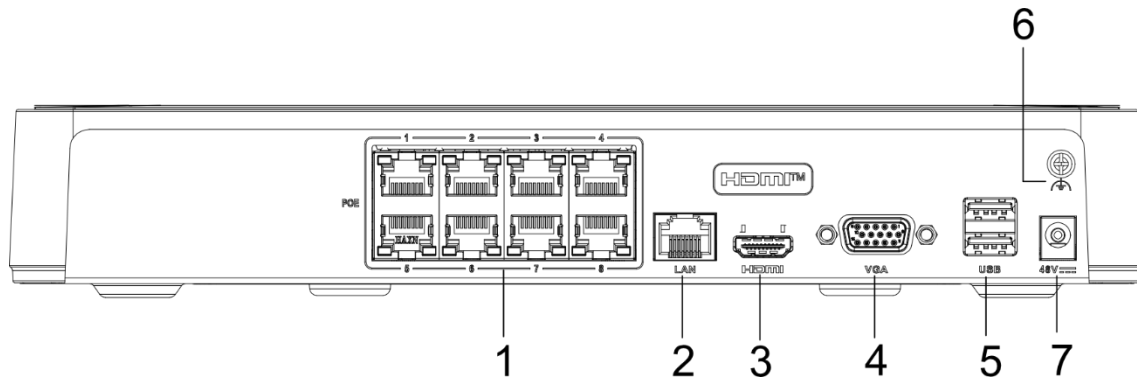
EN50130-4, EN 61000-3-2,EN 61000-3-3

**Dimension**



scale/1:1;Unit/mm

## Physical Interface



No.	Description	No.	Description
1	Network interfaces with PoE function	5	USB interfaces
2	LAN network interface	6	GND
3	HDMI interface	7	Power supply
4	VGA interface		

## Available Model

HWN-2108H-8P (D)

### Headquarters

No.555 Qianmo Road, Binjiang District,  
Hangzhou 310051, China  
T +86-571-8807-5998  
www.hikvision.com



Follow us on social media to get the latest product and solution information.



Hikvision



HikvisionHQ



HikvisionHQ



Hikvision\_Global



Hikvision  
Corporate Channel



hikvisionhq