

# 4MP HD ColorHunter IR Fixed Eyeball Network Camera

IPC3614LE-ADF28(40)KC-DL



## Features

- High quality image with 4MP, 1/3"CMOS sensor
- 4MP (2688\*1520)@ 25/20fps; 4MP (2560\*1440)@ 25/20fps; 3MP (2304\*1296) @30/25fps; 2MP (1920\*1080) @30/25fps;
- Ultra 265, H.265, H.264, MJPEG
- 120dB true WDR technology enables clear image in strong light scene
- Support 9:16 Corridor Mode
- Built-in Mic & Speaker
- Smart IR, up to 30m (98ft) IR distance
- White Light, up to 30m (98ft) warm light distance
- Supports 512 G Micro SD card
- IP67 protection

- Support PoE power supply
- 3-Axis

## Specifications

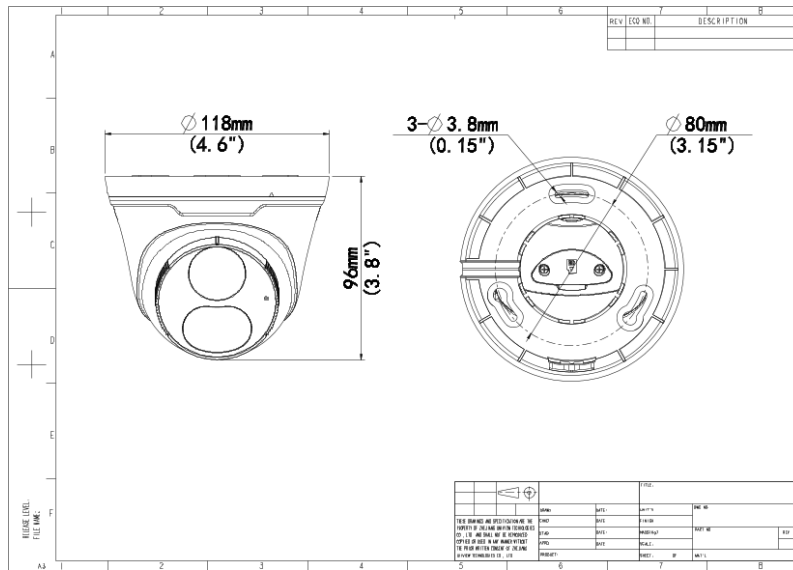
| Camera                 | Description  |
|------------------------|--|
| Max Resolution         | 4MP  |
| Sensor                 | 1/3.0" CMOS  |
| Min. Illumination      | Colour: 0.003 lux ( F1.6, AGC ON)<br>0 Lux with light                      |
| Day/Night              | IR-cut filter with auto switch (ICR)                                       |
| Shutter                | Auto/Manual, 1 ~ 1/100000s   |
| Adjustment Angle       | Pan: 0° ~ 360°, Tilt: 0° ~ 80°, Rotate: 0° ~ 360°                          |
| S/N                    | >52dB  |
| WDR                    | 120dB  |
| Lens                   | Description  |
| Focal Length           | IPC3614LE-ADF28KC-DL:2.8 mm<br>IPC3614LE-ADF40KC-DL:4.0 mm                 |
| Iris Type              | Fixed  |
| Iris                   | F1.6   |
| Field of View (H)      | IPC3614LE-ADF28KC-DL:97.0°<br>IPC3614LE-ADF40KC-DL:79.0°                   |
| Field of View (V)      | IPC3614LE-ADF28KC-DL:52.2°<br>IPC3614LE-ADF40KC-DL:42.3°                   |
| Field of View (D)      | IPC3614LE-ADF28KC-DL:107.5°<br>IPC3614LE-ADF40KC-DL:85.1°                  |
| DORI                   | Description  |
| DORI Distance(Lens)    | IPC3614LE-ADF28KC-DL:2.8mm<br>IPC3614LE-ADF40KC-DL:4.0mm                   |
| DORI Distance(Detect)  | IPC3614LE-ADF28KC-DL:63.0m(206.7ft)<br>IPC3614LE-ADF40KC-DL:90.0m(295.2ft) |
| DORI Distance(Observe) | IPC3614LE-ADF28KC-DL:25.2m(82.7ft)<br>IPC3614LE-ADF40KC-DL:36.0m(118.1ft)  |

|                                   |  |
|-----------------------------------|--|
| DORI Distance(Recognize)          | IPC3614LE-ADF28KC-DL:12.6m(41.3ft)<br>IPC3614LE-ADF40KC-DL:18.0m(59.1ft)   |
| DORI Distance(Identify)           | IPC3614LE-ADF28KC-DL:6.3m(20.7ft)<br>IPC3614LE-ADF40KC-DL:9.0m(29.5ft)   |
| <b>Illuminator</b>                | <b>Description</b>   |
| Supplemental Light                | Dual Light   |
| Illumination Distance(IR)         | 30 m (98.4 ft)   |
| Illumination Distance(Warm Light) | 30 m (98.4 ft)   |
| Wavelength                        | 850 nm   |
| Light On/Off Control              | Auto/Manual  |
| <b>Video</b>                      | <b>Description</b>   |
| Video Compression                 | Ultra 265; H.265; H.264; MJPEG   |
| H.264 Code Profile                | Baseline profile, Main profile, High profile   |
| Frame Rate                        | Main Stream: 4MP (2688*1520), Max 25fps;4MP (2560*1440), Max 25fps; 3MP (2304*1296), Max 30fps; 1080P (1920*1080), Max 30fps; 720P (1280*720), Max 30fps;<br>Sub Stream: 720P (1280*720), Max 30fps; D1 (720*576), Max 30fps; 640*360,Max 30fps; |
| Video Bit Rate                    | 128 Kbps ~ 16 Mbps   |
| U-code                            | Support  |
| OSD                               | Up to 4 OSDs   |
| Privacy Mask                      | Up to 4 areas  |
| ROI                               | Up to 8 areas  |
| Video Stream                      | Dual Streams   |
| <b>Image</b>                      | <b>Description</b>   |
| White Balance                     | Auto; Outdoor; Fine Tune; Sodium Lamp; Locked; Auto2   |
| Digital Noise Reduction           | 2D/3D DNR  |
| Smart IR                          | Support  |
| Flip                              | Normal; Flip Vertical; Flip Horizontal; 180°; 90°Clockwise; 90°Anti-clockwise  |
| Dewarping                         | N/A  |
| HLC                               | Support  |
| BLC                               | Support  |
| Defog                             | Digital Defog  |
| <b>Events</b>                     | <b>Description</b>   |

|                        |  |
|------------------------|--|
| Basic Detection        | Cross line; Intrusion (based on Human Body Detection); Motion Detection; Ultra Motion Detection; Tampering Alarm; Audio Detection  |
| General Function       | Watermark; IP Address Filtering; Access Policy; ARP Protection; RTSP Authentication; User Authentication; HTTP Authentication  |
| <b>Audio</b>           | <b>Description</b>   |
| Audio Compression      | G.711U; G.711A   |
| Audio Bitrate          | 64 Kbps  |
| Two-way Audio          | Support  |
| Suppression            | Support  |
| Sampling Rate          | 8KHZ   |
| <b>Storage</b>         | <b>Description</b>   |
| Edge Storage           | Micro SD, up to 512 GB   |
| Network Storage        | ANR; NAS (NFS)   |
| <b>Network</b>         | <b>Description</b>   |
| Protocols              | IPv4; IGMP; ICMP; ARP; TCP; UDP; DHCP; RTP; RTSP; RTCP; RTMP; DNS; DDNS; NTP; FTP; UPnP; HTTP; HTTPS; SMTP; SSL/TLS; SNMP; QoS   |
| Compatible Integration | ONVIF (Profile S, Profile G, Profile T); API; SDK  |
| User/Host              | Up to 32 users. 3 user levels: administrator, common user and operator   |
| Security               | Password Protection; Strong Password; HTTPS Encryption; Export Operation Logs; Basic and Digest Authentication for RTSP; Digest Authentication for HTTP; TLS 1.2; WSSE and Digest Authentication for ONVIF |
| Client                 | UNV-Link; UNV-Link Pro; EZStation  |
| Web Browser            | Plug-in required live view: IE 10 and above, Chrome 45 and above, Firefox 52 and above, Edge 79 and above; Plug-in free live view: Chrome 57.0 and above, Firefox 58.0 and above, Edge 16 and above        |
| <b>Interface</b>       | <b>Description</b>   |
| Audio I/O              | N/A  |
| Alarm I/O              | N/A  |
| Serial Port            | N/A  |
| Built-in Mic           | Support  |
| Built-in Speaker       | Support  |
| WIFI                   | N/A  |
| Network                | 1 x RJ45 10M/100M Base-TX Ethernet   |

|                      |  |
|----------------------|--|
| Video Output         | N/A  |
| <b>Certification</b> | <b>Description</b>   |
| EMC                  | CE-EMC (EN 55032, EN 61000-3-3, EN IEC 61000-3-2, EN 50130)<br>FCC (FCC 47 CFR part15 B) |
| Safety               | CE LVD (EN 62368-1)<br>UL/CUL (UL 62368-1, CAN/CSA C22.2 No. 62368-1)                    |
| Environment          | CE-RoHS (2011/65/EU;(EU)2015/863); WEEE (2012/19/EU);                                    |
| Protection           | IP67 (IEC 60529)   |
| <b>General</b>       | <b>Description</b>   |
| Power                | DC 12V ±25%, PoE (IEEE 802.3af)<br>Power consumption: Max 8.0W                           |
| Power Interface      | Ø 5.5mm coaxial power plug   |
| Dimensions           | Φ 118 x 96mm (Φ4.6" x 3.8" )   |
| Weight               | 0.32kg (0.71lb)  |
| Material             | Metal + Plastic  |
| Working Environment  | -30 °C ~ 60 °C (-22 °F ~ 140 °F), Humidity: ≤95% RH (non-condensing)                     |
| Storage Environment  | -30 °C ~ 60 °C (-22 °F ~ 140 °F), Humidity: ≤95% RH (non-condensing)                     |
| Surge Protection     | 4KV  |
| Reset Button         | Support  |
| Web Client Language  | 4 Languages<br>English, Russian, Spanish, Vietnamese                                     |

## Dimensions



## Accessories

TR-JB03-I-IN

Junction Box for Plastic Turret Camera(Support wiring from behind)

TR-JB07/WM03-G-IN

Wall Mounting Assembling Bracket For 32 Fix-dome&Mini Fix-dome&Plastic Turret Camera

TR-WM03-D-IN

Wall Mounting Bracket for 32 Fix-dome&Mini Fix-dome&Plastic Turret Camera



TR-A01-IN

NPT 3/4" Waterproof Cable Gland



TR-UP06-IN

Universal Pole Mounting Bracket



TR-UC08-C

Bullet&Dome Corner Mounting Bracket



TR-SE24-IN

Dome Pendant Mounting Pole 200m

m



TR-SE24-A-IN

Dome Pendant Mounting Pole 500m

m



TR-CM24-IN

Dome Pendant Mounting Bracket(Indoor )



**Zhejiang Uniview Technologies Co., Ltd.**

No. 369, Xietong Road, Xixing Sub-district, Binjiang District, Hangzhou City, 310051, Zhejiang Province, China (Zhejiang) Pilot Free Trade Zone, China

Email: [overseasbusiness@uniview.com](mailto:overseasbusiness@uniview.com); [globalsupport@uniview.com](mailto:globalsupport@uniview.com)

<http://www.uniview.com>

©2024 Zhejiang Uniview Technologies Co., Ltd. All rights reserved.

\*Product specifications and availability are subject to change without notice.

\*Despite our best efforts, technical or typographical errors may exist in this document. Uniview cannot be held responsible for any such errors and reserves the right to change the contents of this document without prior notice.