

Network Video Recorder

NVR501-B-P Series



Features

- Support Ultra 265/H.265/H.264 video formats
- 4/8-channel input
- Plug & Play with 4/8 independent PoE network interfaces
- Support mainstream cameras of ONVIF conformance(Profile S, Profile G, Profile T) and RTSP protocols
- Support HDMI and VGA simultaneous output
- Up to 16 Megapixels resolution recording
- ANR technology to enhance the storage reliability when the network is disconnected
- Support cloud upgrade

Specifications

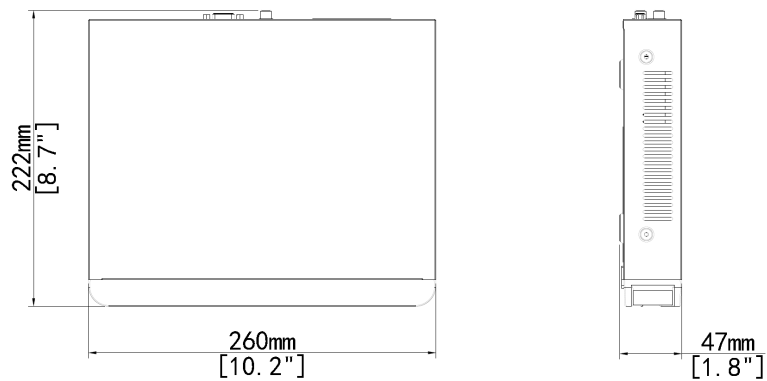
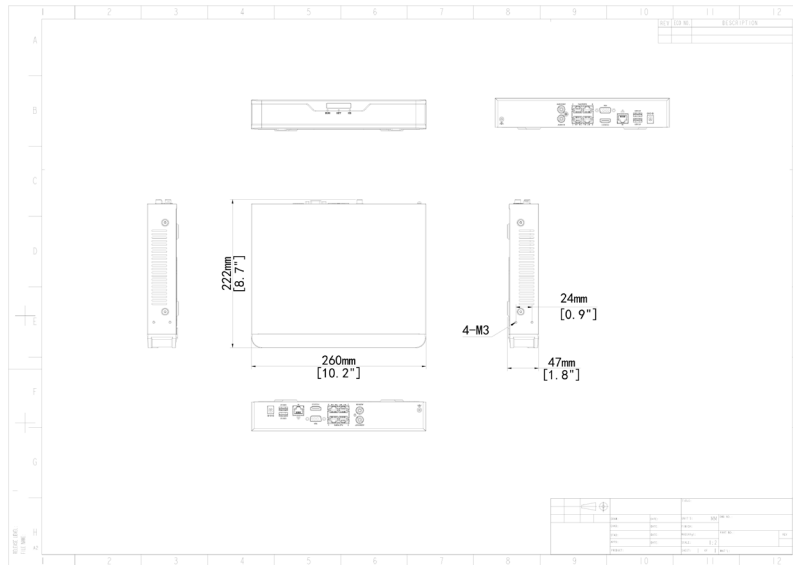
Decoding	Description
Decoding Format	NVR501-04B-P4:Ultra 265, H.265, H.264
Decoding Capability	NVR501-04B-P4:Ultra 265/H.265: 2 x 16MP@30, 2 x 12MP@30, 4 x 4K@30 H.264: 2 x 16MP(4800*2688)@30, 2 x 12MP@30, 2 x 4K@30, 4 x 5MP@30
Audio Compression	NVR501-04B-P4:G.711A, G.711U
Network	Description
Incoming Bandwidth	NVR501-04B-P4:80Mbps

Outgoing Bandwidth	NVR501-04B-P4:64Mbps
Remote Users	NVR501-04B-P4:128
Protocols	NVR501-04B-P4:TCP/IP; P2P; UPnP; NTP; DHCP; PPPoE; HTTP; HTTPS; DNS; DDNS; SNMP; SMTP; RTSP; IPv6; IPv4
Browser(Plugin)	NVR501-04B-P4:Windows: IE (IE10/ 11), Firefox (version 52.0 and above), Chrome (version 45 and above), Edge (version 79 and above)
Video/Audio Input	Description
IP Video Input	NVR501-04B-P4:4-ch
RCA Audio Input	NVR501-04B-P4:1-ch
Video/Audio Output	Description
HDMI Output	NVR501-04B-P4:4K(3840x2160)/30Hz, 1920x1080/60Hz, 1920x1080/50Hz, 1600x1200/60Hz, 1280x1024/60Hz, 1280x720/60Hz, 1024x768/60Hz
VGA Output	NVR501-04B-P4:1920x1080/60Hz, 1920x1080/50Hz, 1600x1200/60Hz, 1280x1024/60Hz, 1280x720/60Hz, 1024x768/60Hz
RCA Audio Output	NVR501-04B-P4:1-ch
Liveview Display	NVR501-04B-P4:1/4
Corridor Mode Screen	NVR501-04B-P4:3/4
Two-way Audio	Description
Two-way Audio	NVR501-04B-P4:1-ch, RCA (Using the audio input and output)
Snapshot	Description
FTP/Schedule/Event Snapshot	NVR501-04B-P4:4-ch snapshot, up to D1 resolution
Recording	Description
Recording Resolution	NVR501-04B-P4:16MP/12MP/8MP/6MP/5MP/4MP/3MP/1080P/960P/720P/D1/2CIF/CIF
Smart	Description
VCA Detection by IPC	NVR501-04B-P4:Face Detection; SIP (Intrusion Detection, Cross Line Detection, Enter Area, Leave Area); Ultra Motion Detection (UMD); People Counting (People Flow Counting, Crowd Density Monitoring)
VCA Search	NVR501-04B-P4:Face Snapshot Search; Motor Vehicle Search; Non-Motor Vehicle Search; Human Body Search; General Search; People Counting Report; Heat Map
Smart by IPC	NVR501-04B-P4:Total 4-ch(Face Detection, SIP, UMD)
Alarm	Description
General Alarm	NVR501-04B-P4:Defocus Detection; Scene Change Detection; Object Left Behind; Object Removed; Auto Tracking; Motion Detection; Tampering; Human Body Detection; Video Loss; Alarm Input; Audio Detection

Alert Alarm	NVR501-04B-P4:IP Conflict; Network Disconnected; Disk Offline; Disk Abnormal; Illegal Access; Hard Disk Space Low; Hard Disk Full; Recording/Snapshot Abnormal
GUI Language	Description
GUI Language	NVR501-04B-P4:38 languages: Simplified Chinese, Traditional Chinese, English, Vietnamese, Thai, Turkish, Spanish (Latin America), Portuguese (Brazil), Spanish, Portuguese, French, German, Italian, Dutch, Polish, Czech, Hungarian, Slovak, Russian, Hebrew, Arabic, Ukrainian, Estonian, Bulgarian, Greek, Romanian, Danish, Swedish, Norwegian, Finnish, Croatian, Slovenia, Serbia, Korean, Japanese, Latvian, Lithuanian, Persian
Hard Disk	Description
SATA	NVR501-04B-P4:1 SATA Interface
Capacity	NVR501-04B-P4:Up to 16TB for each HDD(The maximum HDD capacity varies with environment temperature and hard disk size)
External Interface	Description
Network Interface	NVR501-04B-P4:1 RJ45 10M/100M self-adaptive Ethernet Interface
USB	NVR501-04B-P4:Rear panel: 1 x USB2.0, 1 x USB3.0
RS485	NVR501-04B-P4:N/A
RS232	NVR501-04B-P4:N/A
Alarm In	NVR501-04B-P4:N/A
Alarm Out	NVR501-04B-P4:N/A
Power Supply	NVR501-04B-P4:DC 48V/1.35A
PoE	Description
PoE Interface	NVR501-04B-P4:4 RJ45 10M/100M self-adaptive Ethernet Interface
Max Power	NVR501-04B-P4:Max 30W for single port, Max 50W in total
Supported Standard	NVR501-04B-P4:IEEE 802.3at, IEEE 802.3af
Working Environment	Description
Working Temperature	NVR501-04B-P4:-10 °C ~ 55 °C (14 °F ~ 131 °F)
Working Humidity	NVR501-04B-P4:≤ 90% RH (non-condensing)
Power Consumption (without HDD)	NVR501-04B-P4:≤ 10W
Dimensions	Description
Weight (without HDD)	NVR501-04B-P4:≤ 1.1Kg (2.43lb)
Dimensions	NVR501-04B-P4:260mm × 222mm × 47mm (10.2"×8.7"×1.8")

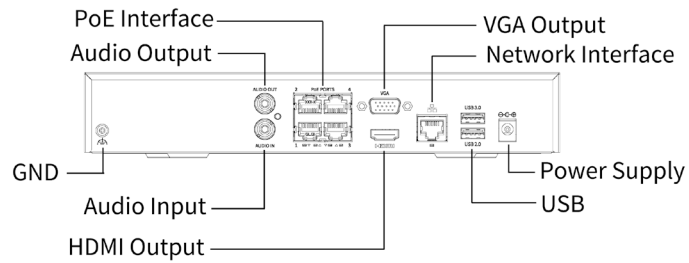
Certification	Description
Certification	NVR501-04B-P4:CE, FCC, UL, RoHS, WEEE
CE	NVR501-04B-P4:EN 55032, EN 61000-3-3, EN IEC 61000-3-2, EN 55035
FCC	NVR501-04B-P4:Part15 Subpart B

Dimensions

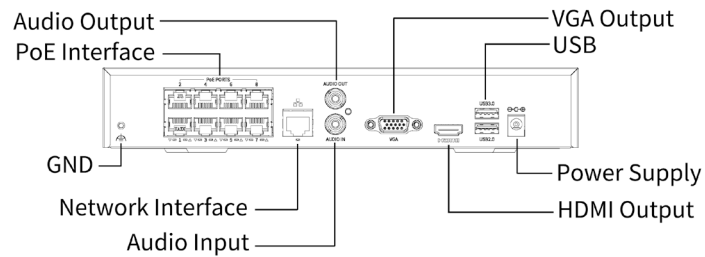


Rear Panel

[NVR501-04B-P4]



[NVR501-08B-P8]



Zhejiang Uniview Technologies Co., Ltd.

No. 369, Xietong Road, Xixing Sub-district, Binjiang District, Hangzhou City, 310051, Zhejiang Province, China

Email: overseasbusiness@uniview.com; globalsupport@uniview.com

<http://www.uniview.com>

©2023-2024 Zhejiang Uniview Technologies Co., Ltd. All rights reserved.

*Product specifications and availability are subject to change without notice.

*Despite our best efforts, technical or typographical errors may exist in this document. Uniview cannot be held responsible for any such errors and reserves the right to change the contents of this document without prior notice.