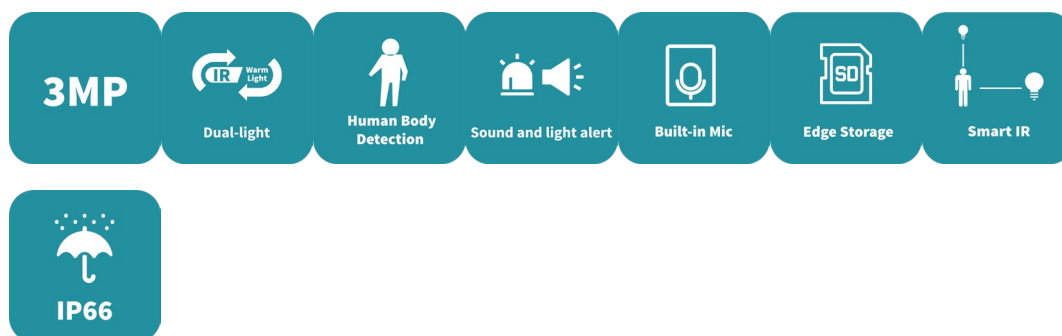


# 3MP HD Outdoor Pan & Tilt Wi-Fi Camera

## Uho-P1A-M3F4D



## Features

- High quality image with 3MP, 1/2.8" CMOS sensor
- 2304\*1296@20fps in the main stream
- Ultra 265, H.265, H.264
- Support digital WDR (Wide Dynamic Range)
- Built-in Mic & Speaker, support two-way audio, offer better interaction
- Support sound and light warning, makes warning and alarming more noticeable
- Smart IR, up to 30 m (98 ft) IR and 10m (33 ft) warm light distance, suitable for more scenes
- Self-contained bracket, support two kinds of mounting
- Supports 512 GB Micro SD card
- Wi-Fi connection and easy installation
- IP66 ingress protection
- The front face is made of grapheme, which has better heat dissipation and more environmental protection

## Specifications

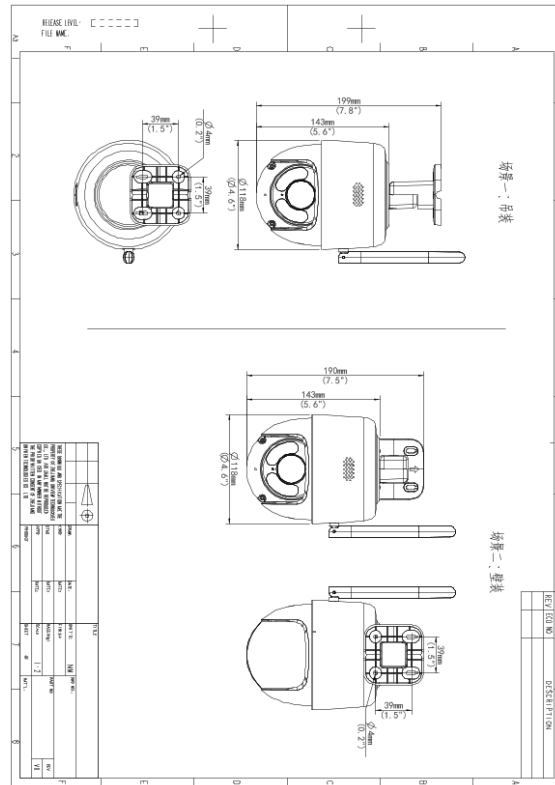
Camera	Description
Max Resolution	3MP
Sensor	1/2.8" CMOS
Min. Illumination	Colour: 0.005Lux (F1.6, AGC ON) 0 Lux with IR on
Day/Night	IR-cut filter with auto switch (ICR)
Shutter	Auto/Manual, 1 ~ 1/100000s
S/N	>52dB
WDR	DWDR
Lens	Description
Digital Zoom	4X
Focal Length	4.0mm
Iris Type	Fixed
Iris	F1.6
Field of View (H)	90.5°
Field of View (V)	44.4°
Field of View (D)	111.3°
DORI	Description
DORI Distance(Lens)	4.0mm
DORI Distance(Detect)	73.5 (241.0ft)
DORI Distance(Observe)	29.4 (96.4ft)
DORI Distance(Recognize)	14.7 (48.2ft)
DORI Distance(Identify)	7.3 (24.1ft)
Illuminator	Description
Supplemental Light	Dual Light
Illumination Distance(IR)	Up to 30m (98ft)
Illumination Distance(Warm Light)	Up to 10m (33ft)
Wavelength	850nm
IR On/Off Control	Auto/Manual
Video	Description

Video Compression	Ultra 265; H.265; H.264
Frame Rate	Main Stream: 3MP (2304*1296), Max 20fps; Sub Stream: 640*360, Max 20fps;
Video Bit Rate	128 Kbps ~ 2048 Kbps
U-code	Support
OSD	Up to 2 OSDs
Privacy Mask	Support (Only NVR)
ROI	Up to 8 areas
Video Stream	Dual Streams
<b>Image</b>	Description
White Balance	Auto; Outdoor; Fine Tune; Sodium Lamp; Locked; Auto2
Digital Noise Reduction	2D/3D DNR
Smart IR	Support
Flip	Normal; Flip Vertical; Flip Horizontal; 180°
Dewarping	N/A
HLC	N/A
BLC	N/A
Defog	Digital Defog
<b>Events</b>	Description
Basic Detection	Human Body Detection; Motion Detection; Audio Detection
General Function	IP Address Filtering; Access Policy; ARP Protection; RTSP Authentication; User Authentication; HTTP Authentication
<b>Intelligent</b>	Description
Auto Tracking	Support
<b>Audio</b>	Description
Audio Compression	G.711U; G.711A
Audio Bitrate	64 Kbps
Two-way Audio	Support
Suppression	Support
Sampling Rate	8KHZ
<b>Storage</b>	Description
Edge Storage	Micro SD, up to 512 GB

Network Storage	ANR
<b>Network</b>	Description
Wi-Fi	2.4G Wi-Fi (IEEE802.11b/g/n), built-in antenna
Protocols	IPv4; TCP; UDP; DHCP; RTSP; DNS; DDNS; NTP; HTTP
Compatible Integration	API
Client	Uniarch Client; Uniarch app
Web Browser	Plug-in required live view: IE 10 and above, Chrome 45 and above, Firefox 52 and above, Edge 79 and above
<b>Wi-Fi</b>	Description
Wireless Standards	IEEE802.11b/g/n
Frequency Range	2.4 GHz ~ 2.4835 GHz
Channel Bandwidth	20 MHz Support
Modulation Mode	802.11b: CCK, QPSK, BPSK 802.11g/n: OFDM/HT
Wi-Fi Security	64/128-bit WEP, WPA-PSK/WPA2-PSK
Transmit Power	802.11b: $17 \pm 1.5\text{dBm}$ @11Mbps 802.11g: $14 \pm 1.5\text{dBm}$ @ 54Mbps 802.11n: $12.5 \pm 1.5\text{dBm}$ @150Mbps
Receive Sensitivity	802.11b: $-90\text{dBm}$ @11Mbps (Typical) 802.11g: $-75\text{dBm}$ @54Mbps (Typical) 802.11n: $-74\text{dBm}$ @150Mbps (Typical)
Transmission Rate	802.11b: 11Mbps 802.11g: 54Mbps 802.11n: up to 150Mbps
<b>PTZ</b>	Description
Pan Range	$0^\circ \sim 345^\circ$
Pan Speed	$1^\circ/\text{s} \sim 40^\circ/\text{s}$ Preset speed: $40^\circ/\text{s}$
Tilt Range	$0^\circ \sim 90^\circ$
Tilt Speed	$1^\circ/\text{s} \sim 30^\circ/\text{s}$ Preset speed: $30^\circ/\text{s}$
Number of Presets	20
<b>Interface</b>	Description
Audio I/O	N/A

Alarm I/O	N/A
Built-in Mic	Support
Built-in Speaker	Support
WIFI	Support
Network	1 x RJ45 10M/100M Base-TX Ethernet
<b>Certification</b>	<b>Description</b>
EMC	CE-EMC (EN 55032, EN 61000-3-3, EN IEC 61000-3-2, EN 50130) FCC (FCC 47 CFR part15 B)
RF	FCC ID (FCC CFR 47 part15 C) CE RED (EN 301 489-1, EN 301 489-17, EN 300 328, EN 62311)
Safety	CE LVD (EN 62368-1)
Environment	CE-RoHS (2011/65/EU;(EU)2015/863); WEEE (2012/19/EU);
Protection	IP66 (IEC 60529)
<b>General</b>	<b>Description</b>
Power	DC 12V±25% Power consumption: Max 10.0W
Power Interface	Ø 5.5mm coaxial power plug
Dimensions	Φ 118mm*118mm*199mm ( Φ4.6” x 4.6” x 7.8” )
Weight	0.53kg (1.17lb)
Working Environment	-30 °C ~ 60 °C (-22 °F ~ 140 °F), Humidity: ≤95% RH (non-condensing)
Storage Environment	-30 °C ~ 60 °C (-22 °F ~ 140 °F), Humidity: ≤95% RH (non-condensing)
Surge Protection	4KV
Reset Button	Support
LED Indicator	1, red/green

Dimensions



Zhejiang Uniview Technologies Co., Ltd.

No. 369, Xietong Road, Xixing Sub-district, Binjiang District, Hangzhou City, 310051, Zhejiang Province, China

Email: [overseasbusiness@uniview.com](mailto:overseasbusiness@uniview.com); [globalsupport@uniview.com](mailto:globalsupport@uniview.com)

<http://www.uniview.com>

©2023-2024 Zhejiang Uniview Technologies Co., Ltd. All rights reserved.

\*Product specifications and availability are subject to change without notice.

\*Despite our best efforts, technical or typographical errors may exist in this document. Uniview cannot be held responsible for any such errors and reserves the right to change the contents of this document without prior notice.