

**DS-QAE0120G1R**  
**20W Analog Cabinet Speaker**



- By using U-brackets, the installation surface angle can be adjusted for convenient installation
- Support horizontal and vertical installation

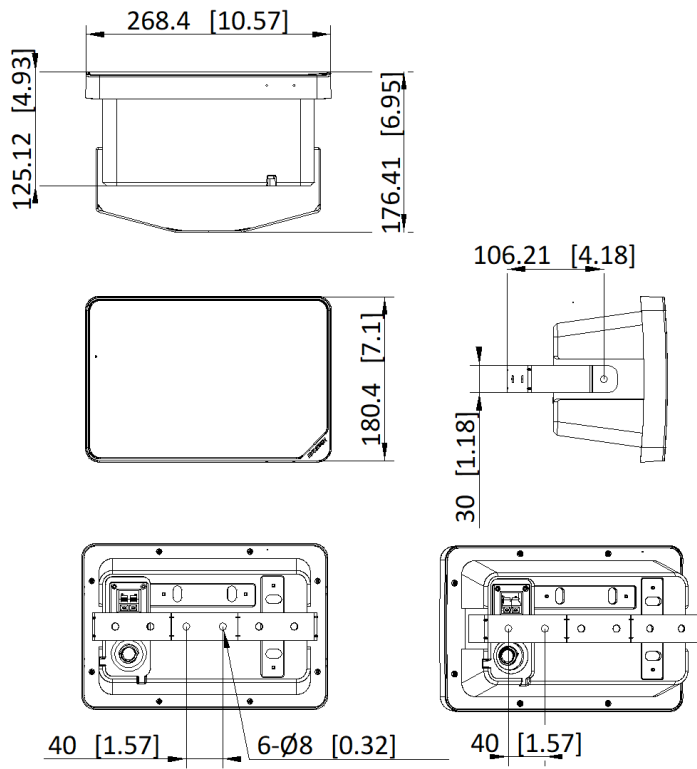
## ▪ Specification

Speaker	
Rated Power	70 V: 5 W/10 W/15 W/20 W 100 V: 5 W/10 W/15 W/20 W
Impedance	8 Ω
Sensitivity(1 m, 1 W)	90 dB ± 3dB
Max. Acoustic Pressure	103 dBSPL
Direction	All directions
Frequency Response	130 Hz to 17.5 kHz
Speaker Unit	5.25" × 1
Interface	
Audio In	Fixed pressure in 100 V/Fixed pressure in 70 V/Fixed resistance input 8 Ω × 1
General	
Material	Main body&Front cover : plastic, bracket: metal
Operating Temperature	-30 °C to 60 °C (-22 °F to 140 °F)
Operating Humidity	< 90% (No condensation)
Dimension	268.4 mm × 180.4 mm × 125.12 mm (10.57" × 7.1" × 4.93")
Package Dimension	340 mm × 306 mm × 180 mm (13.39" × 12.05" × 7.09")
Weight	Approx. 1.5 kg (3.3 lb.)
Color	White
With Package Weight	Approx. 2 kg (4.4 lb.)
Packing List	Device × 1 U-shaped bracket × 1 Screw pack × 1 Installation sticker × 1 Regulatory Compliance and Safety Information × 1

## ▪ Available Model

DS-QAE0120G1R

## ▪ Dimension



Unit: mm [inch]

SCALE	1:1
-------	-----

**Headquarters**

No.555 Qianmo Road, Binjiang District,  
Hangzhou 310051, China  
T +86-571-8807-5998  
www.hikvision.com



Follow us on social media to get the latest product and solution information.

