

THC-B129-P 2 MP ColorVu Fixed Mini Bullet Camera



- High quality imaging with 2 MP, 1920 × 1080 resolution
- 24/7 color imaging with F1.0 aperture
- 3D DNR technology delivers clean and sharp images
- 2.8 mm, 3.6 mm fixed focal lens
- Up to 20 m white light distance for bright night imaging
- One port for four switchable signals (TVI/AHD/CVI/CVBS)
- Water and dust resistant (IP66)

▪ Specification

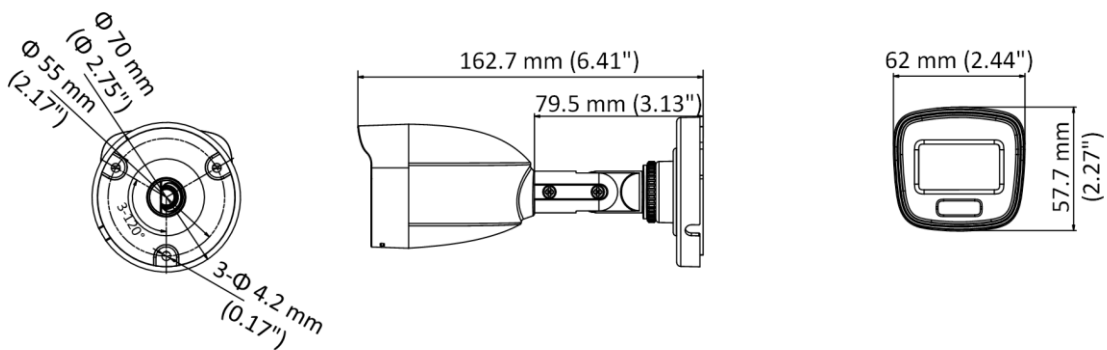
Camera	
Image Sensor	2 MP CMOS
Max. Resolution	1920 (H) × 1080 (V)
Signal System	PAL/NTSC
Frame Rate	TVI: 1080p@25fps/30fps CVI: 1080p@25fps/30fps AHD:1080p@25fps/30fps CVBS: PAL/NTSC
Min. Illumination	0.001 Lux @ (F1.0, AGC ON) , 0 Lux with white light
Shutter Time	PAL: 1/25 s to 1/50,000 s;NTSC: 1/30 s to 1/50,000 s
Lens Mount	M12
Light Alarm	Solid Light Alarm (White Light)
Day & Night	24/7 Color Imaging
Angle Adjustment	Pan: 0° to 360°, Tilt: 0° to 180°, Rotation: 0° to 360°
Lens	
Lens Type	2.8 mm/3.6 mm fixed focal lens
Focal Length & FOV	2.8 mm, horizontal FOV: 102°, vertical FOV: 54°, diagonal FOV: 121° 3.6 mm, horizontal FOV: 80°, vertical FOV: 43°, diagonal FOV: 95°
Illuminator	
Supplement Light Type	White Light
Image	
Image Parameters Switch	STD/HIGH-SAT/HIGHLIGHT
Image Settings	Brightness,Contrast,Mirror,Defective Pixel Correction,Sharpness,Smart Light,Anti-Banding
Wide Dynamic Range (WDR)	Digital WDR
Image Enhancement	DWDR,BLC,HLC,Global
White Light	Auto/Off
AGC	Yes
Day/Night Mode	Color
White Balance	Auto/Manual
Noise Reduction	3D DNR/2D DNR
Language	English
Interface	
Video Output	Switchable TVI/AHD/CVI/CVBS
General	
Operating Condition	-40°C to 60°C (-40°F to140°F), humidity: 90% or less (non-condensing)
Power Supply	12 VDC±25% *You are recommended to use one power adapter to supply the power for one camera.
Consumption	Max. 2.4 W
Material	Plastic
White Light Range	Up to 20 m
Dimension	162.7 mm × 70 mm × 70 mm (6.41" × 2.75" × 2.75")

Weight	Approx. 152.5 g (0.34 lb.)
Approval	
Protection	IP66

▪ **Available Model**

THC-B129-P

▪ **Dimension**



▪ **Accessory**

▪ **Optional**



Headquarters

No.555 Qianmo Road, Binjiang District,
Hangzhou 310051, China
T +86-571-8807-5998
www.hikvision.com



Follow us on social media to get the latest product and solution information.

