

THC-B229-LS 2MP Smart Hybrid Light ColorVu Fixed Bullet Camera



- High quality imaging with 2 MP, 1920 × 1080 resolution
- 24/7 color imaging with F1.0 aperture
- Smart-Hybrid light, optimize your security with flexible lighting options
- 2.8 mm, 3.6 mm fixed focal lens
- Up to 40 m white light distance for bright night imaging
- Up to 40 m IR distance for bright night imaging
- High quality audio with audio over coaxial cable, built-in mic
- One port for four switchable signals (TVI/AHD/CVI/CVBS)
- Water and dust resistant (IP66)

▪ Specification

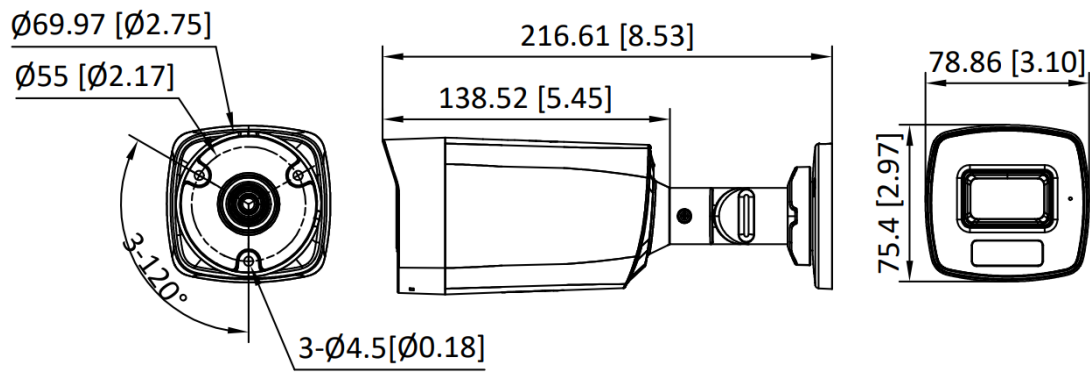
Camera	
Image Sensor	2 MP CMOS
Max. Resolution	1920 (H) × 1080 (V)
Min. Illumination	0.001 Lux @(F1.0, AGC ON), 0 Lux with white light
Shutter Time	PAL: 1/25 s to 1/50,000 s; NTSC: 1/30 s to 1/50,000 s
Day & Night	ICR
Angle Adjustment	Pan: 0 to 360°, Tilt: 0 to 180°, Rotation: 0 to 360°
Signal System	PAL/NTSC
Lens	
Lens Type	2.8 mm and 3.6 mm fixed focal lens
Focal Length & FOV	2.8 mm, horizontal FOV: 97°, vertical FOV: 52°, diagonal FOV: 116° 3.6 mm, horizontal FOV: 81°, vertical FOV: 44°, diagonal FOV: 95°
Lens Mount	M12
Illuminator	
Supplement Light Type	White Light,IR
Supplement Light Range	IR : Up to 40 m White Light : Up to 40 m
Image	
Image Settings	Brightness, Sharpness, Smart IR
Frame Rate	TVI: 1080P @30 fps, 1080P @25 fps AHD: 1080P @30 fps, 1080P @25 fps CVI: 1080P @30 fps, 1080P @25 fps CVBS: PAL/NTSC
Day/Night Mode	Auto
Wide Dynamic Range (WDR)	Digital WDR
Image Enhancement	DWDR/BLC/HLC/Global
White Balance	Auto/Manual
AGC	Yes
Interface	
Video Output	Switchable TVI/AHD/CVI/CVBS
Built-in Microphone	Yes
General	
Power	12 VDC ± 25%, max.4.8 W,*You are recommended to use one power adapter to supply the power for one camera.
Material	Front cover: Metal Main body: Plastic
Dimension	216.6 mm × 78.9 mm × 75.4 mm (8.53" × 3.10" × 2.97")
Weight	Approx. 339 g (0.75 lb.)
Operating Condition	-40 °C to 60 °C(-40 °F to 140 °F). Humidity: 90% or less(non-condensation)
Communication	HIKVISION-C
Language	English
Approval	
Protection	IP66

▪ **Available Model**

THC-B229-LS(2.8mm)

THC-B229-LS(3.6mm)

▪ **Dimension**



▪ **Accessory**

▪ **Optional**



HiLook

Headquarters

No.555 Qianmo Road, Binjiang District,
Hangzhou 310051, China
T +86-571-8807-5998
Technical Support: support@hikvision.com

Follow us on social media to get the latest product and solution information.

