

## PTZ-N2C400I-W(W)

### 4 MP Fixed Outdoor IR WIFI PT Network Camera



- High quality imaging with 4 MP resolution
- Support Human Detection, Vehicle Detection, and Auto-tracking Lite
- EXIR 2.0, advanced infrared technology with long IR distance
- Hik-Connect cloud service and app for remote management and views of devices
- Built-in microphone and speaker for real-time audio security
- Built-in memory card slot, support microSD/SDHC/SDXC card, up to 512 GB
- Water and dust resistant (IP66)
- Hik-Connect cloud service and app for remote management and views of devices

## ▪ Specification

Camera	
Image Sensor	1/2.9" Progressive Scan CMOS
Max. Resolution	2560 × 1440
Min. Illumination	Color: 0.01 Lux @ (F1.6, AGC ON), B/W: 0.005 Lux @ (F1.6, AGC ON), 0 Lux with IR
Lens	
Focal Length	2.8 mm, 4 mm
FOV	2.8 mm, horizontal FOV 91°, vertical FOV 49°, diagonal FOV 108° 4 mm, horizontal FOV 74°, vertical FOV 40°, diagonal FOV 87°
Aperture	F1.6
Illuminator	
Supplement Light Type	IR
Supplement Light Range	IR distance: up to 30 m
IR Wavelength	850 nm
PTZ	
Movement Range (Pan)	0° to 345°
Movement Range (Tilt)	0° to 80°
Pan Speed	Up to 25°/s
Tilt Speed	Up to 20°/s
Video	
Main Stream	50 Hz: 20 fps (2560 × 1440, 1920 × 1080, 1280 × 720) 60 Hz: 20 fps (2560 × 1440, 1920 × 1080, 1280 × 720)
Sub-Stream	50 Hz: 25 fps (1280 × 720, 768 × 432, 512 × 288) 60 Hz: 30 fps (1280 × 720, 768 × 432, 512 × 288)
Video Compression	Main stream: H.265/H.264, Sub-stream: H.265/H.264
Video Bit Rate	256 Kbps to 2 Mbps
H.264 Type	Baseline profile, Main profile, High profile
H.265 Type	Main profile
Audio	
Audio Compression	G.711, AAC-LC
Audio Bit Rate	64 Kbps (G.711ulaw/G.711alaw), 16 to 64 Kbps (AAC-LC)
Audio Sampling Rate	8 kHz, 16 kHz
Environment Noise Filtering	Yes
Network	
Protocols	TCP/IP, ICMP, HTTP, HTTPS, FTP, DHCP, DNS, RTP, RTSP, RTCP, NTP, UPnP, IGMP, QoS, IPv4, IPv6, UDP, Bonjour, SSL/TLS
API	ONVIF, SDK
Security	Password protection, HTTPS encryption, security audit log, basic and digest authentication for HTTP/HTTPS, TLS 1.1/1.2, WSSE for Open Network Video Interface
Client	iVMS-4200, HiLookVision, Hik-Partner-Pro
Wireless (Wi-Fi)	
Encryption Mode	WPA-PSK/WPA2-PSK
Wi-Fi Protocols	IEEE802.11b, IEEE802.11g, IEEE802.11n
Frequency Range	2.412 GHz to 2.472 GHz

Channel Bandwidth	20 MHz
Modulation	802.11b: CCK, QPSK, BPSK, 802.11g: OFDM, 802.11n: OFDM
Transfer Rate	11b: up to 54 Mbps, 11g: up to 54 Mbps, 11n: up to 150 Mbps
Wireless Range	Up to 50 m (The performance varies based on actual environment)
<b>Image</b>	
Image Settings	Saturation, brightness, contrast, and sharpness adjustable by client software
Wide Dynamic Range (WDR)	Digital WDR
<b>Interface</b>	
Ethernet Interface	1 RJ45 10 M/100 M self-adaptive Ethernet port
Built-in Microphone	1 built-in microphone
On-board Storage	Built-in memory card slot, support microSD/microSDHC/microSDXC card, up to 512 GB
Built-in Speaker	1 built-in speaker
<b>Event</b>	
Basic Event	Motion detection (support alarm triggering by specified target type (human and vehicle)), exception
Linkage	Upload to memory card, notify surveillance center, trigger capture, audible warning, auto-tracking lite
<b>Deep Learning Function</b>	
Perimeter Protection	Line crossing, intrusion, region entrance, region exiting Support alarm triggered by specified target types (human and vehicle)
<b>General</b>	
Power	12 VDC $\pm$ 10%, 1 A, max. 10 W, $\varnothing$ 2 mm coaxial power plug, reverse polarity protection
Dimension	163.9 mm $\times$ 185.8 mm $\times$ 131.9 mm (6.45" $\times$ 7.31" $\times$ 5.19")
Weight	Camera weight: 565 g (1.25 lb.) With package weight: 1020 g (2.25 lb.)
Material	Plastic
Operating Condition	-30 $^{\circ}$ C to 50 $^{\circ}$ C (-22 $^{\circ}$ F to 122 $^{\circ}$ F). Humidity 95% or less (non-condensing)
General Function	heartbeat, mirror
<b>Approval</b>	
EMC	CE-EMC (EN 55032: 2015, EN 61000-3-2: 2019, EN 61000-3-3: 2013 + A1: 2019, EN 50130-4: 2011 + A1: 2014)
Safety	CB (IEC 62368-1: 2014 + A11), CE-LVD (EN 62368-1: 2014/A11: 2017)
Environment	CE-RoHS (2011/65/EU), WEEE (2012/19/EU)
Protection	IP66 (IEC 60529-2013)

## ▪ Typical Application

Hikvision products are classified into three levels according to their anti-corrosion performance. Refer to the following description to choose for your using environment.

This model has NO SPECIFIC PROTECTION.

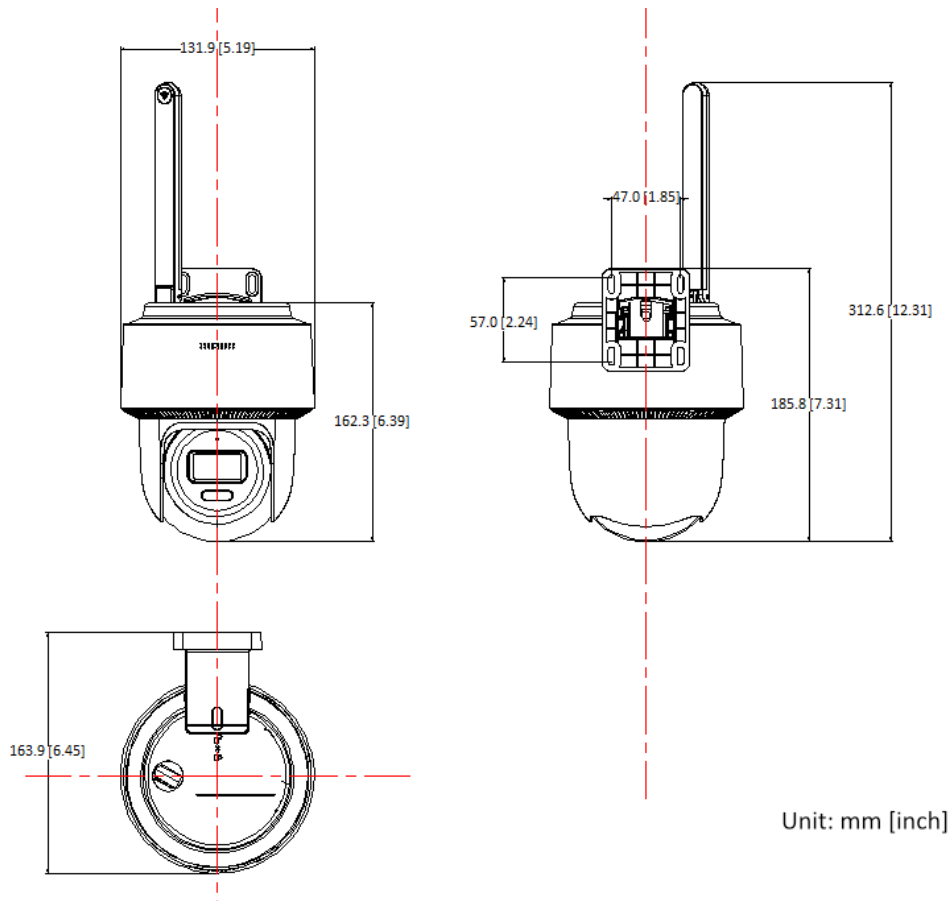
Level	Description
Top-level protection	Hikvision products at this level are equipped for use in areas where professional anti-corrosion protection is a must. Typical application scenarios include coastlines, docks, chemical plants, and more.
Moderate protection	Hikvision products at this level are equipped for use in areas with moderate anti-corrosion demands. Typical application scenarios include coastal areas about 2 kilometers (1.24 miles) away from coastlines, as well as areas affected by acid rain.
No specific protection	Hikvision products at this level are equipped for use in areas where no specific anti-corrosion protection is needed.

### ▪ Available Model

PTZ-N2C400I-W(2.8mm)(W)

PTZ-N2C400I-W(4mm)(W)

### ▪ Dimension



#### Headquarters

No.555 Qianmo Road, Binjiang District,  
Hangzhou 310051, China  
T +86-571-8807-5998  
Technical Support: support@hikvision.com

Follow us on social media to get the latest product and solution information.



Hikvision



HikvisionHQ



HikvisionHQ



Hikvision\_Global



Hikvision  
Corporate Channel



hikvisionhq