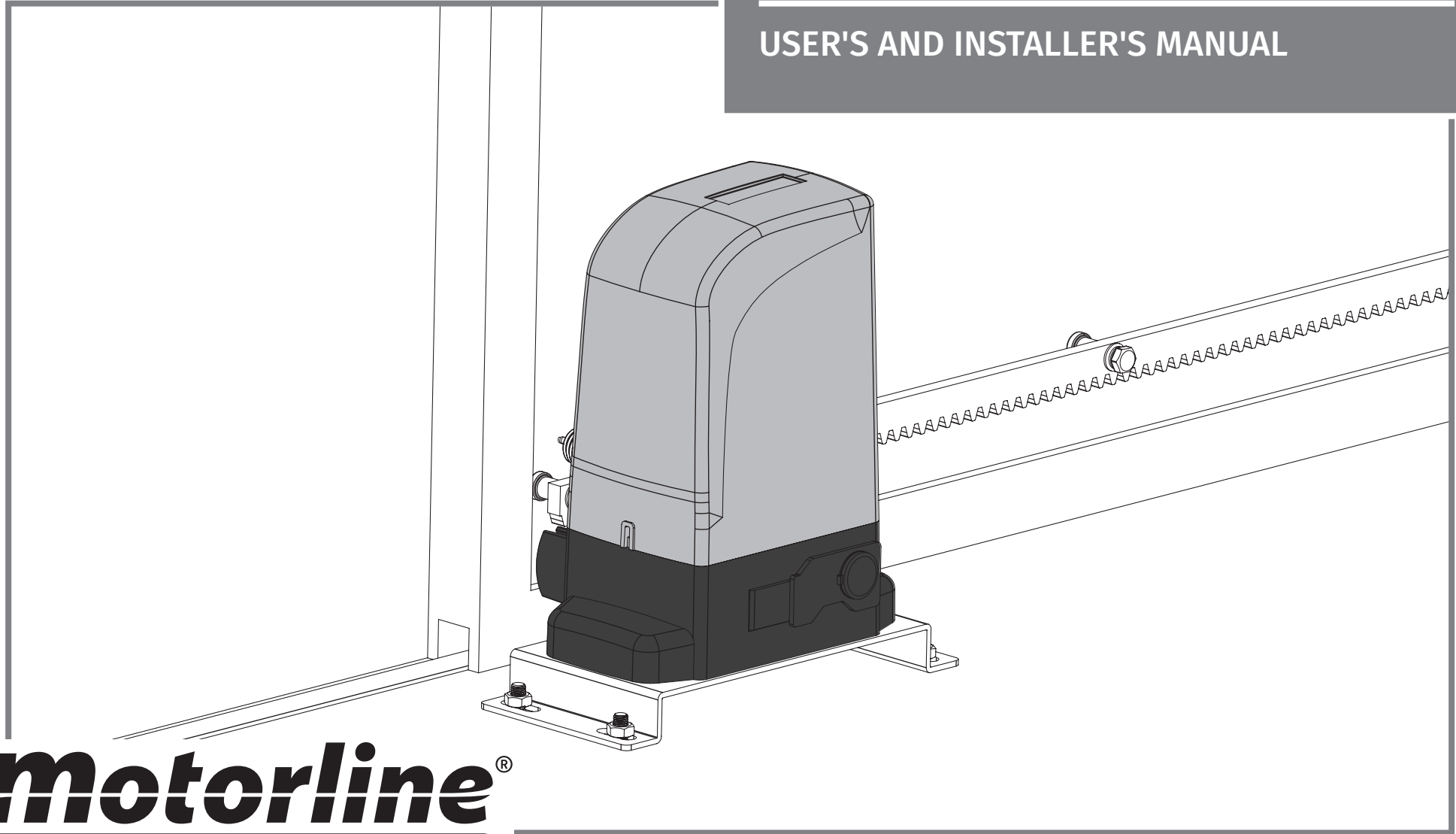




## USER'S AND INSTALLER'S MANUAL









# 00. CONTENT

## INDEX

<b>01. SAFETY INSTRUCTIONS</b>	2B
<b>02. PACKAGE</b>	
INSIDE PACKAGE	5A
<b>03. OPERATOR</b>	
OPEN COVER	5B
UNLOCK OPERATOR	5B
TECHNICAL SPECIFICATIONS	6A
<b>04. INSTALLATION</b>	
INSTALLATION SITE PREPARATION	6B
SITE INSTALLATION – CREATE FOUNDATION	6B
SITE INSTALLATION – EXISTING FOUNDATION	7B
APPLICATION OF MOTOR	8A
INSTALLATION OF STEEL GEAR RACK	8B
INSTALLATION OF NYLON GEAR RACK	9B
INSTALLATION OF PLATES THE LIMIT SWITCHES	10B
MAP OF INSTALLATION	11
<b>05. TROUBLESHOOTING</b>	
FINAL CONSUMERS INSTRUCTIONS	12
SPECIALIZED TECHNICIANS INSTRUCTIONS	12
<b>06. MAINTENANCE</b>	
MAINTENANCE	13A

# 01. SAFETY INSTRUCTIONS

	This product is certified in accordance with European Community (EC) safety standards.
	This product complies with Directive 2011/65/EU of the European Parliament and of the Council, of 8 June 2011, on the restriction of the use of certain hazardous substances in electrical and electronic equipment and with Delegated Directive (EU) 2015/863 from Commission.
	(Applicable in countries with recycling systems). This marking on the product or literature indicates that the product and electronic accessories (eg. Charger, USB cable, electronic material, controls, etc.) should not be disposed of as other household waste at the end of its useful life. To avoid possible harm to the environment or human health resulting from the uncontrolled disposal of waste, separate these items from other types of waste and recycle them responsibly to promote the sustainable reuse of material resources. Home users should contact the dealer where they purchased this product or the National Environment Agency for details on where and how they can take these items for environmentally safe recycling. Business users should contact their vendor and check the terms and conditions of the purchase agreement. This product and its electronic accessories should not be mixed with other commercial waste.
	This marking indicates that batteries should not be discarded like other household waste at the end of their useful life. Batteries must be delivered to selective collection points for recycling.
	The different types of packaging (cardboard, plastic, etc.) must be subject to selective collection for recycling. Separate packaging and recycle it responsibly.
	This marking indicates that the product and electronic accessories (eg. charger, USB cable, electronic material, controls, etc.) are susceptible to electric shock by direct or indirect contact with electricity. Be cautious when handling the product and observe all safety procedures in this manual.

# 01. SAFETY INSTRUCTIONS

## **GENERAL WARNINGS**

- This manual contains very important safety and usage information. Read all instructions carefully before beginning the installation/usage procedures and keep this manual in a safe place that it can be consulted whenever necessary.
- This product is intended for use only as described in this manual. Any other enforcement or operation that is not mentioned is expressly prohibited, as it may damage the product and put people at risk causing serious injuries.
- This manual is intended firstly for specialized technicians, and does not invalidate the user's responsibility to read the "User Norms" section in order to ensure the correct functioning of the product.
- The installation and repair of this product may be done by qualified and specialized technicians, to assure every procedure are carried out in accordance with applicable rules and norms. Nonprofessional and inexperienced users are expressly prohibited of taking any action, unless explicitly requested by specialized technicians to do so.
- Installations must be frequently inspected for unbalance and the wear signals of the cables, springs, hinges, wheels, supports and other mechanical assembly parts.
- Do not use the product if it is necessary repair or adjustment is required.
- When performing maintenance, cleaning and replacement of parts, the product must be disconnected from power supply. Also including any operation that requires opening the product cover.
- The use, cleaning and maintenance of this product may be carried out by any persons aged eight years old and over and persons whose physical, sensorial or mental capacities are lower, or by persons without any knowledge of the product, provided that these are supervision and instructions given by persons with experienced in terms of usage of the product in a safe manner and who understands the risks and dangers involved.

- Children shouldn't play with the product or opening devices to avoid the motorized door or gate from being triggered involuntarily.
- If the power cable is damaged, it must be replaced by the manufacturer, after-sales service or similarly qualified personnel to avoid danger.
- The device must be disconnected from the electrical network when removing the battery.
- Ensure that blocking is avoided between the actuated part and its fixed parts due to the opening movement of the actuated part.

## **WARNINGS FOR TECHNICIANS**

- Before beginning the installation procedures, make sure that you have all the devices and materials necessary to complete the installation of the product.
- You should note your Protection Index (IP) and operating temperature to ensure that is suitable for the installation site.
- Provide the manual of the product to the user and let them know how to handle it in an emergency.
- If the automatism is installed on a gate with a pedestrian door, a door locking mechanism must be installed while the gate is in motion.
- Do not install the product "upside down" or supported by elements do not support its weight. If necessary, add brackets at strategic points to ensure the safety of the automatism.
- Do not install the product in explosive site.
- Safety devices must protect the possible crushing, cutting, transport and danger areas of the motorized door or gate.
- Verify that the elements to be automated (gates, door, windows, blinds, etc.) are in perfect function, aligned and level. Also verify if the necessary mechanical stops are in the appropriate places.
- The control board must be installed on a safe place of any fluid (rain, moisture, etc.), dust and pests.
- You must route the various electrical cables through protective tubes, to protect them against mechanical exertions, essentially on

## 01. SAFETY INSTRUCTIONS

the power supply cable. Please note that all the cables must enter the control board from the bottom.

- If the automatism is to be installed at a height of more than 2,5m from the ground or other level of access, the minimum safety and health requirements for the use of work equipment workers at the work of Directive 2009/104/CE of European Parliament and of the Council of 16 September 2009.
- Attach the permanent label for the manual release as close as possible to the release mechanism.
- Disconnect means, such as a switch or circuit breaker on the electrical panel, must be provided on the product's fixed power supply leads in accordance with the installation rules.
- If the product to be installed requires power supply of 230Vac or 110Vac, ensure that connection is to an electrical panel with ground connection.
- The product is only powered by low voltage safety with control board (only at 24V motors).
- Parts/products weighing more than 20 kg must be handled with special care due to the risk of injury. It is recommended to use suitable auxiliary systems for moving or lifting heavy objects.
- Pay special attention to the danger of falling objects or uncontrolled movement of doors/gates during the installation or operation of this product.

### WARNINGS FOR USERS

- Keep this manual in a safe place to be consulted whenever necessary.
- If the product has contact with fluids without being prepared, it must immediately disconnect from the power supply to avoid short circuits, and consult a specialized technician.
- Ensure that technician has provided you the product manual and informed you how to handle the product in an emergency.
- If the system requires any repair or modification, unlock the automatism, turn off the power and do not use it until all safety

conditions have been met.

- In the event of tripping of circuits breakers or fuse failure, locate the malfunction and solve it before resetting the circuit breaker or replacing the fuse. If the malfunction is not repairable by consult this manual, contact a technician.
- Keep the operation area of the motorized gate free while the gate in in motion, and do not create strength to the gate movement.
- Do not perform any operation on mechanical elements or hinges if the product is in motion.

### RESPONSABILITY

- Supplier disclaims any liability if:
  - Product failure or deformation result from improper installation use or maintenance!
  - Safety norms are not followed in the installation, use and maintenance of the product.
  - Instructions in this manual are not followed.
  - Damaged is caused by unauthorized modifications
  - In these cases, the warranty is voided.

### **MOTORLINE ELECTROCELOS SA.**

Travessa do Sobreiro, nº29  
4755-474 Rio Côvo (Santa Eugénia)  
Barcelos, Portugal

### SYMBOLS LEGEND:



• Important safety notices



• Useful information



• Programming information



• Potentiometer information



• Connectors information



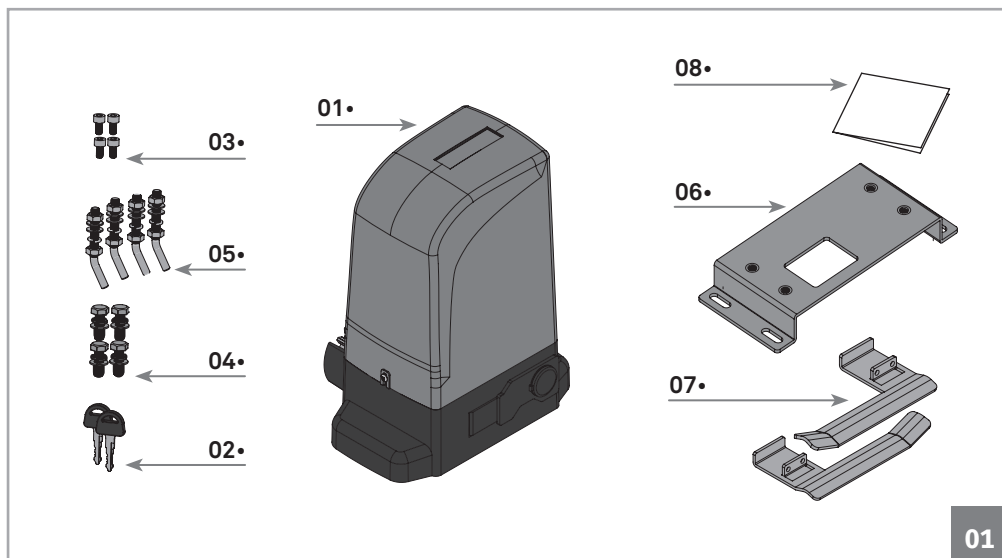
• Buttons information

## 02. PACKAGE

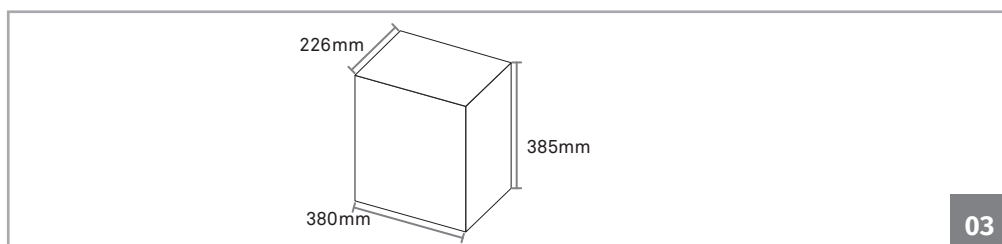
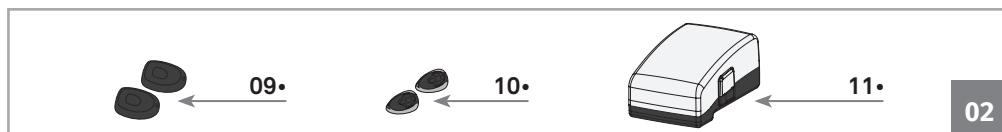
### INSIDE PACKAGE

Inside the package you will find the following components:

- |                                    |   |
|------------------------------------|---|
| 01• 01 motor GALO                  | 07• 02 fixation plate of the limit switches |
| 02• 02 release keys                | 08• 01 user's manual                        |
| 03• 04 screws DIN912 M5x10         | 09• 02 photocells                           |
| 04• 04 fixing screws to the plate  | 10• 02 remote controls                      |
| 05• 04 fixing screws to the ground | 11• 01 Control board                        |
| 06• 01 fixation plate              |   |

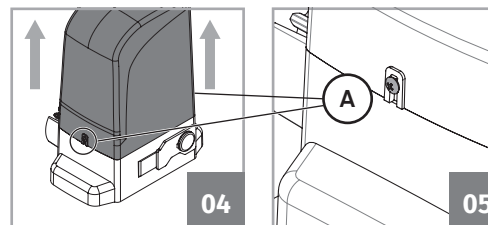


Electronic components of the kit:



## 03. OPERATOR

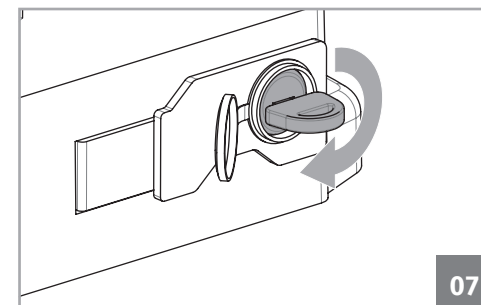
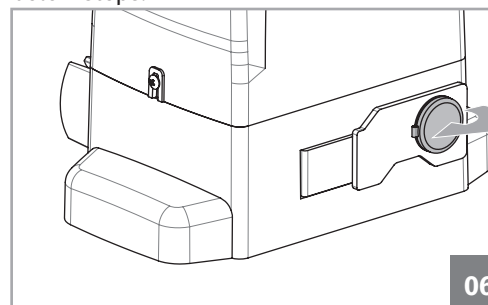
### OPEN COVER



During installation you will need to open the motor cover, to access various components on the inside. For this, loosen the 2 screws identified with (A) until the cover is free to be removed.

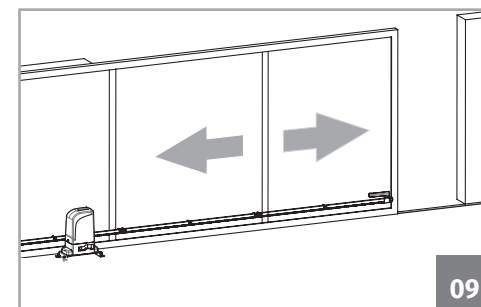
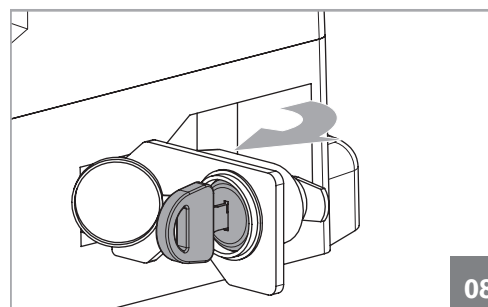
### UNLOCK OPERATOR

To open manually the gate in case of electric power failure or in case of damage, follow the below steps:



01 • Open the protection cover to access the key hole for the release.

02 • Insert the key and turn it 90°.



03 • Pull the lever towards the outside, and you can now open/close the gate manually.

So that the automation will operate normally, close the unlock and turn the key to the original position. Close the cover (06) to finish, make a move in order to confirm the functioning of the automation.

## 03. OPERATOR

### TECHNICAL SPECIFICATIONS

The specifications of the automatism **GALO** are as follows:

	600	600 SPEED	1200	2200
Motor Technology	BLDC			
Motor Reduction Type	Irreversible			
Protection class	IP44			
Power supply	230 Vac - 50/60 Hz			
Motor power	36 Vdc			
Control board power	21/26 Vac			
Nominal current	7A	10A	10A	12A
Maximum absorbed current	12A	18A	18A	18A
Nominal power	260W	360W	360W	430W
Maximum Speed	120-240 mm/s	225-450 mm/s	150-300 mm/s	150-300 mm/s
Permissible speed with maximum weight supported	214 mm/s	400 mm/s	260 mm/s	260 mm/s
Working frequency	55%			
Nominal force	450N	450N	1000N	1400N
Operating temperature	-20+55°C			
Limit switch type	Magnetic/Mechanic			
Encoder	Encoder nativo digital			
Control board	MC91BL-SC			
Noise	≤ 50dB			
Maximum gate weight	600 Kg	600 Kg	1200 Kg	2200 Kg
Pinion Diameter	72 mm	84 mm	84 mm	84 mm

The dimensions (mm) of automatism **GALO** are the following:

	600	600 SPEED	1200	2200
A	186.5	202	202	202
B	319.5	344	344	344
C	255	275	275	275
D	72	84	84	84
	600	600 SPEED	1200	2200
E	40	58	58	58
F	144	162.5	162.5	162.5
G	183	202	202	202
H	137	166	166	166
	600	600 SPEED	1200	2200
I	36	36	36	36
J	145	165	165	165
L	329	346	346	346
M	271	285	285	285

10

## 04. INSTALLATION

### INSTALLATION SITE PREPARATION

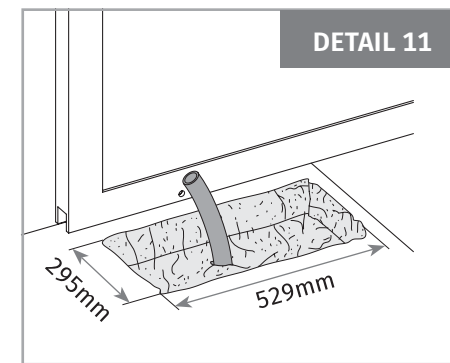
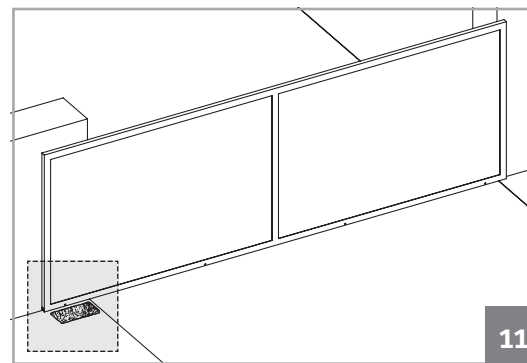
To ensure full operation of the automatism, pay attention the following recommendations:

- Read the entire manual at least once giving special attention to all notices marked with **!** ;
- Check that the gate structure is sufficiently resistant;
- The gate should be very well leveled and have a uniform movement without irregular friction during the full course;
- The foundation to create in step 02 should be very resistant to support the mounting screws of the plate;
- It is recommended that all locksmith works are carried out before proceeding with installation of the automatism.
- Check if the size and weight of the gate correspond with the presented with the technical data of the motor (p. 6A).

### INSTALLATION SITE PREPARATION



**NOTE:** For correct operation of the automatism, it is necessary to pay attention to the dimensions given in the following images. Also check that the fixation plate is parallel to the gate.

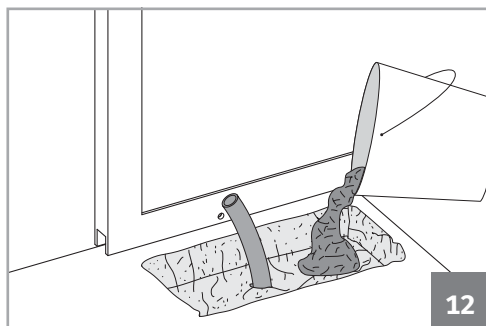


**01** • Make a hole in the ground to create a foundation in concrete. The dimensions shown are these recommended to create the foundation. You must leave tubes in the middle of the hole for the passage of cables for power and accessories, as shown in the detail of image 11.



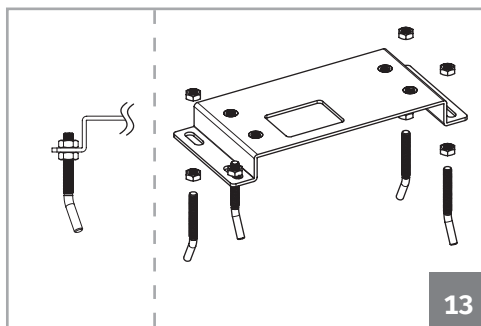
## 04. INSTALLATION

### SITE INSTALLATION – CREATE FOUNDATION



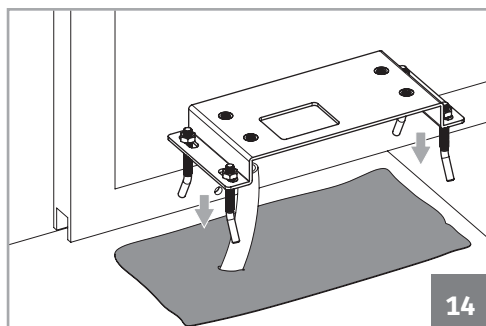
12

**02** • Fill the hole with fresh concrete and smooth the top part where you will fix the plate.



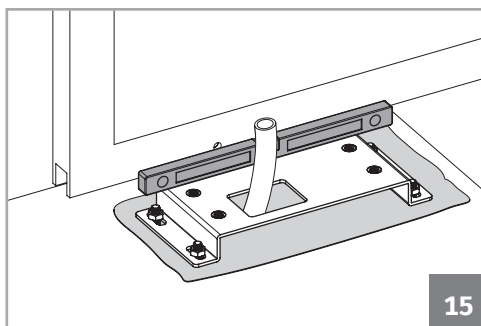
13

**03** • Attach the screws to the plate with nut and counter nut as shown in picture 13.

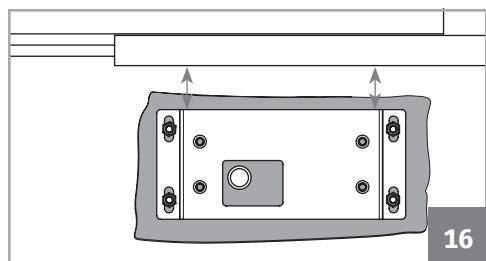


14

**04** • Insert the plate with screws in the concrete while it is still fresh and level it horizontally with a level. Also align it parallel to the gate, keeping a distance of 60mm between them, as visible in picture 16.

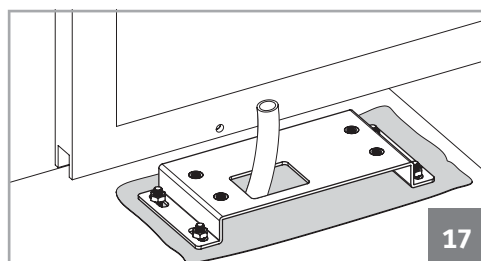


15



16

**05** • Let the concrete dry so that the plate stays well fixed.

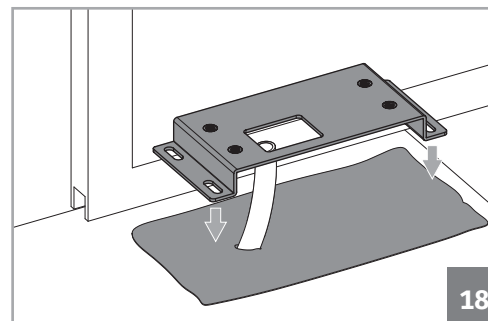


17

## 04. INSTALLATION

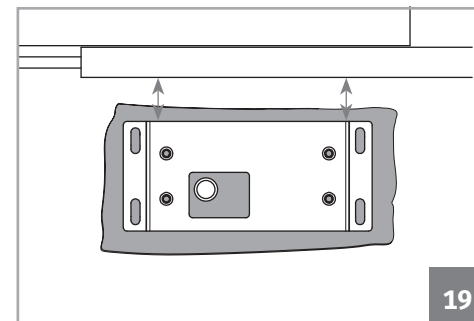
### SITE INSTALLATION – EXISTING FOUNDATION

In case there is already a foundation at the installation site, proceed as below:

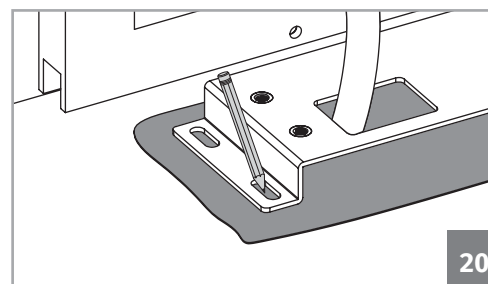


18

**01** • Place the fixing plate on top of the foundation and align it parallel to the gate, keeping a distance of 60mm between them, as visible in Figure 19.

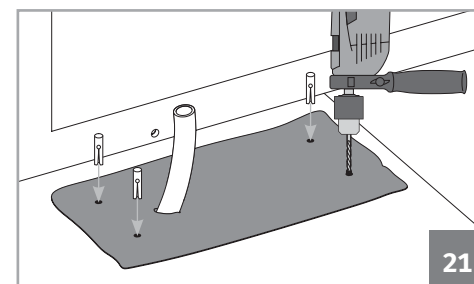


19



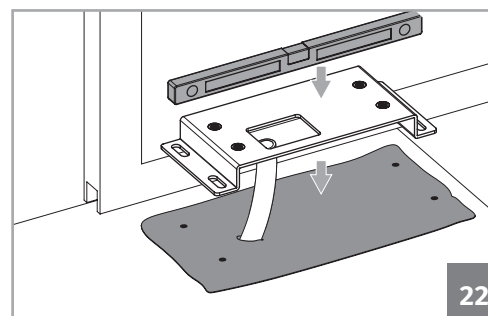
20

**02** • Mark the place to make the holes for the bushings. Must make the mark at the center of the oval holes of the plate.



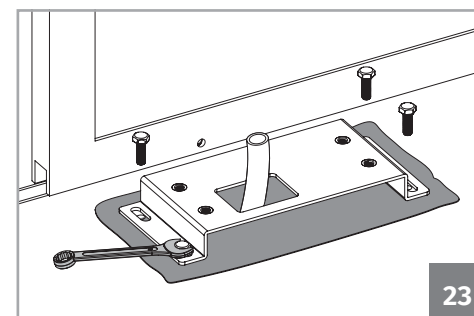
21

**03** • Drill four holes with  $\varnothing 18\text{mm}$  on foundation. Place M10 steel anchors on the holes.



22

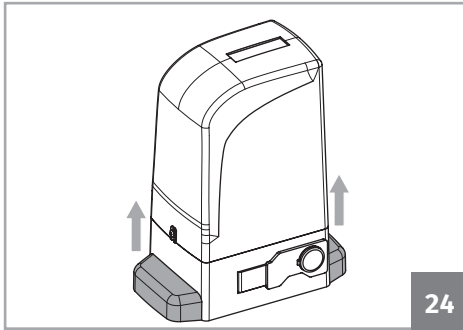
**04** • Place the fixing plate on the foundation in cement respecting the distances of image 19. Use a level to level it horizontally and fasten it with M10 screws.



23

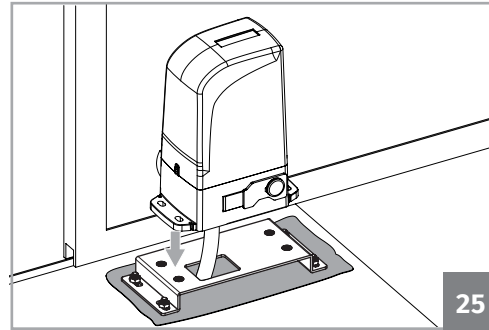
## 04. INSTALLATION

### APPLICATION OF MOTOR



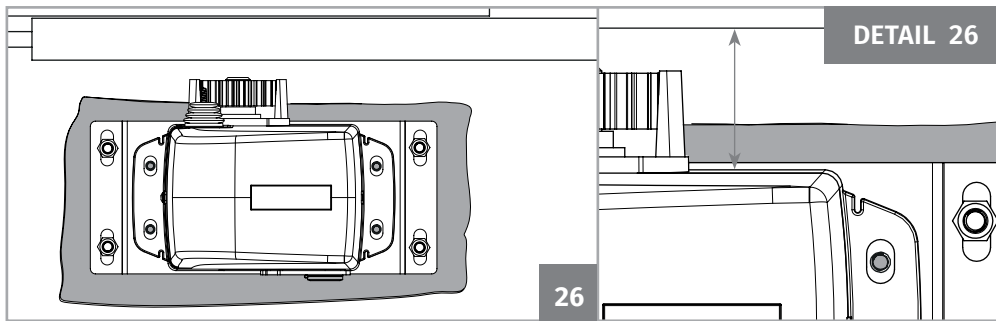
24

01 • Remove the side covers of the motor by pulling them up.



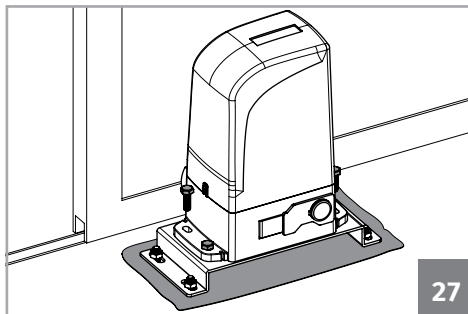
25

02 • Place the motor in the fixing plate.



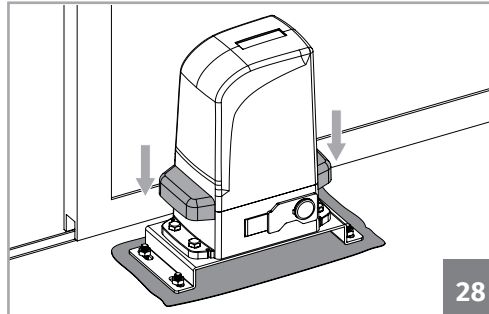
26

03 • Align it parallel to the gate leaving a distance of 63mm between them, as visible in the image 26. Oval holes of the motor should be centered with the threaded holes in the fixing plate, as visible on DETAIL 26.



27

04 • Fix it with the M10 x 25 screws provided.



28

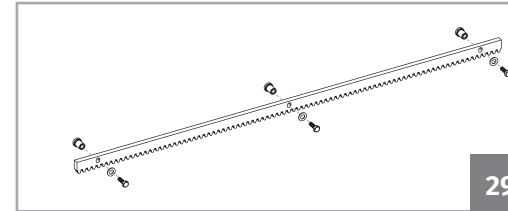
05 • Reassemble the motor's side covers to hide the screws.

## 04. INSTALLATION

### INSTALLATION OF STEEL GEAR RACK



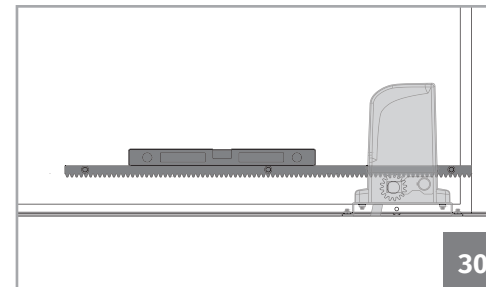
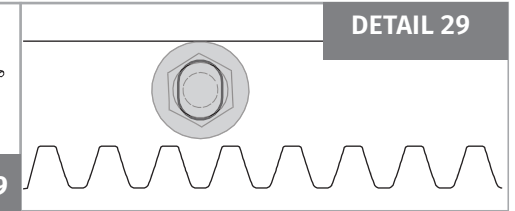
Place the gate in the open position and unlock the motor! (p.05B).



29

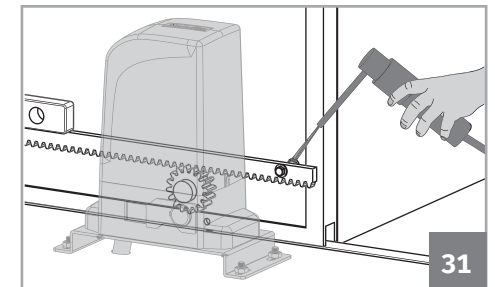
01 • Place spacers in all holes of the rack to fix it to the gate. Must put them in the center of the oval holes in the rack, as shown in Figure 29, so you can adjust the rack at the end of the installation if necessary.

DETAIL 29



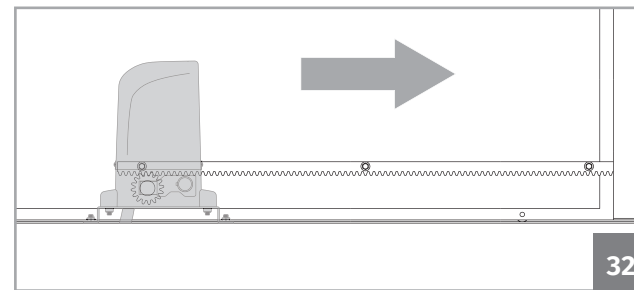
30

02 • Place a piece of rack on top of the pinion and level it horizontally with a level.



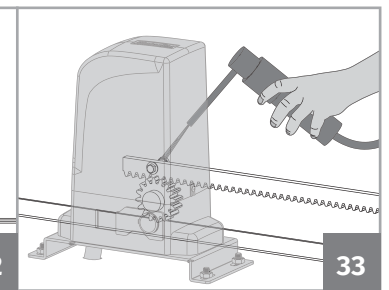
31

03 • Weld the spacer on top of the pinion and level it horizontally with a level.



32

04 • Close the gate a bit until the other end of the rack rests on top of the pinion and weld the other spacer to the gate.

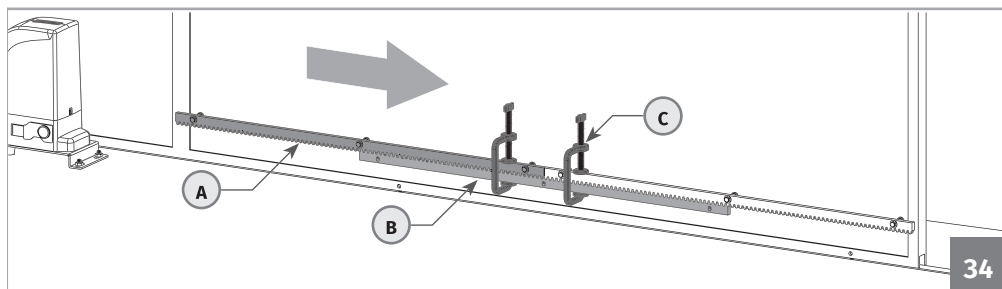


33

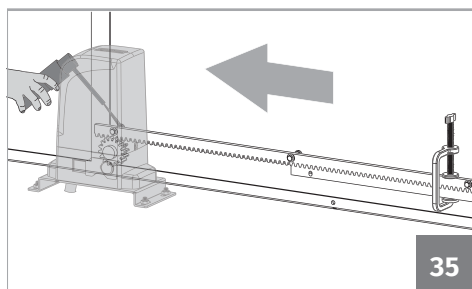


## 04. INSTALLATION

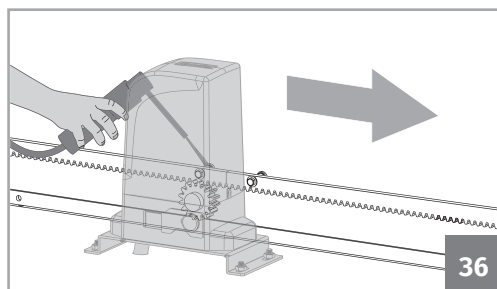
### INSTALLATION OF STEEL GEAR RACK



**05** • Close the gate a bit, so that the rack is not being supported on the pinion anymore and apply another piece of rack (A). To synchronize the teeth with the piece already installed, use an additional piece of rack (B) and place it under the union of the other two, holding them with clamps (C).



**06** • Open the gate to support the point of the new piece of rack on top of the pinion and weld the spacer.



**07** • Remove the piece of auxiliary rack and open the gate until the other end of the rack stands on top of the pinion. Weld the spacer.

**08** • Repeat the steps 5-7 for each meter of the rack, until you reach the end.

**09** • Manually, test the movement of the gate with all racks already installed and weld the remaining spacers. In case of finding some friction between the rack and pinion, adjust the rack on the oval holes with screws.



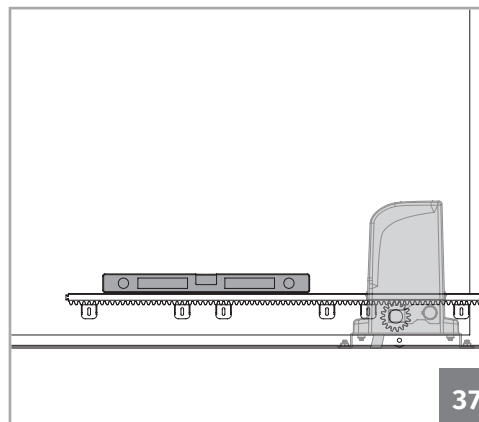
During the course of the gate, all elements of the rack must mesh properly with the pinion (space 1.5mm)!  
The spacers can't be welded to the rack! And also the pieces of rack with one another.  
Do not use mass or other types of lubricant between rack and pinion!

## 04. INSTALLATION

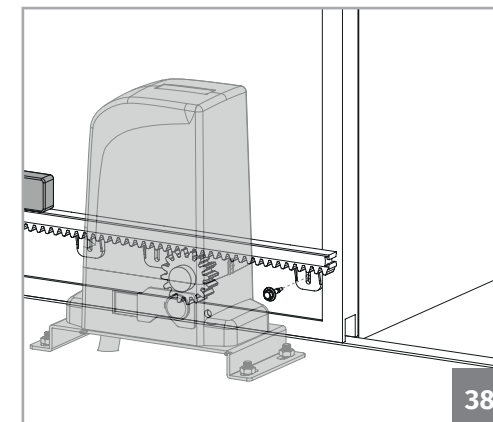
### INSTALLATION OF NYLON GEAR RACK



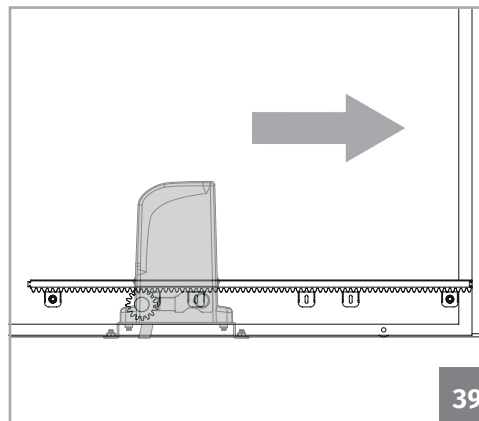
Place the gate in the open position and unlock the motor! (p.05B).



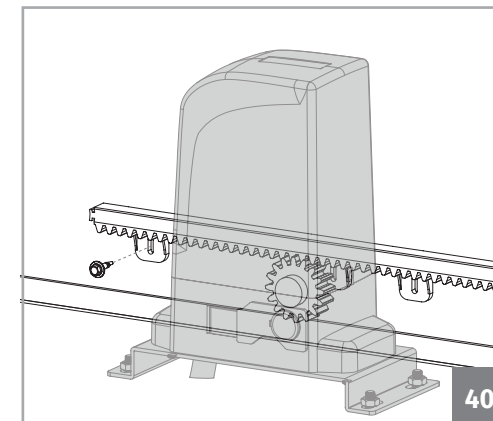
**01** • Place a piece of rack on top of the pinion and level it horizontally with a level.



**02** • Fasten the support of the rack over the pinion to the gate.

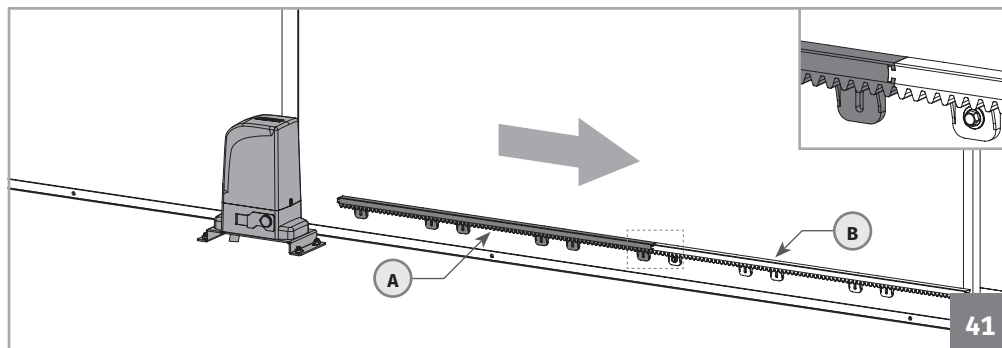


**03** • Close the gate a bit until the other end of the rack rests on top of the pinion and fasten the other support.

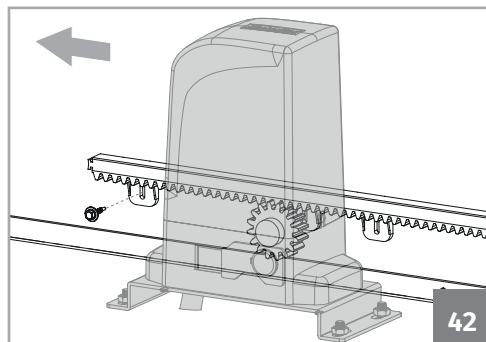


## 04. INSTALLATION

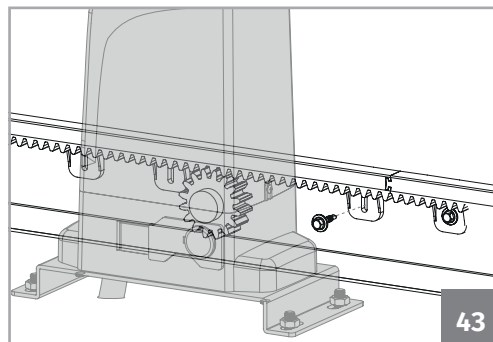
### INSTALLATION OF NYLON GEAR RACK



**04** • Close the gate a bit, so that the rack is not being supported on the pinion anymore and apply another piece of rack (A), fitting it into the rack already installed (B), as you can see in detail of image 41.



**05** • Open the gate until the other end of the new rack is on top of the pinion rack and fasten it to the gate.



**06** • Open the gate until the other end of the rack stands on top of the pinion. Fasten it to the gate.

**07** • Repeat the steps 4-6 for each rack piece until you reach the end.



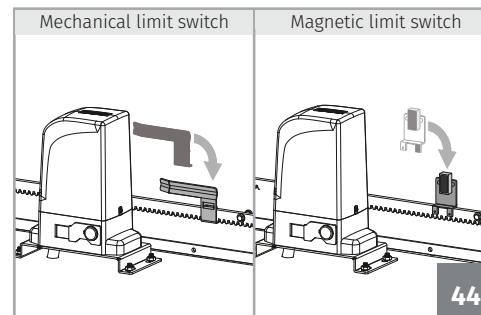
During the course of the gate, all elements of the rack must mesh properly with the pinion!  
All rack supports must be welded at the gate.  
Do not use mass or other types of lubricant between rack and pinion!

## 04. INSTALLATION

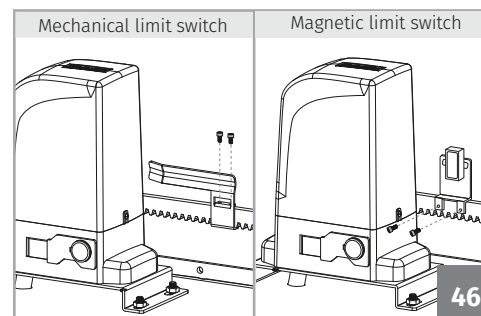
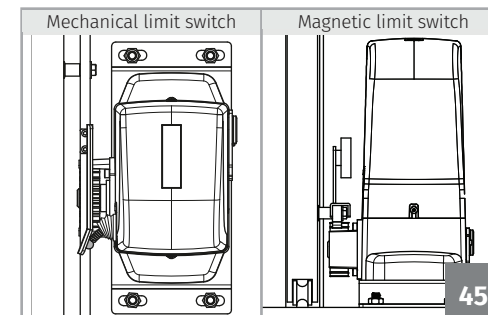
### INSTALLATION OF PLATES THE LIMIT SWITCHES



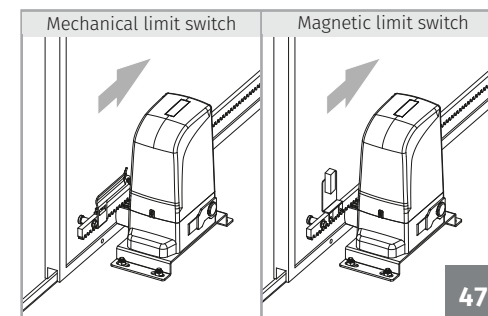
Place the gate in the open position and unlock the motor! (p.05B).



**01** • Place the opening limit-switch plate in the rack so that it can trigger the limit-switch of the motor before the gate gets to opening stopper. The mechanical limit switch is activated when the plate is in contact with the spring. The magnetic limit switch is activated when the magnet is aligned with the motor reader (Fig. 45).



**02** • Put the DIN912 M5 x 12 screws supplied with the accessories until the limit-switch plate is fixed to the rack.



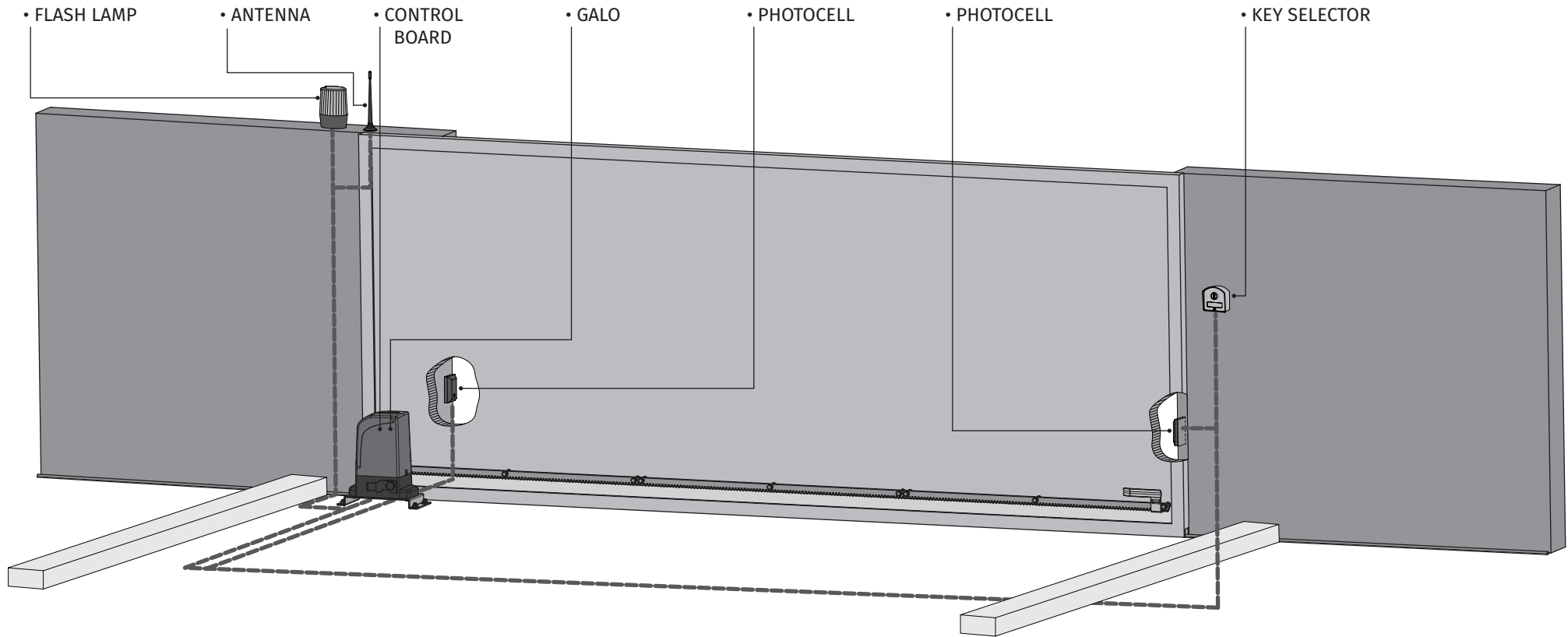
**03** • Move the gate to the closed position and repeat steps 1 and 2 to fix the closing limit-switch plate to the rack.



The limit-switch plates must be tuned for the gate stop before it hits the opening and closing stoppers. Manually test the activation of the limit-switches with the gate unlocked, before you connect it to the electric power, in order to prevent problems due to bad installation.

# 04. INSTALLATION

## MAP OF INSTALLATION



### LEGEND:

----- • Cables of connection



**It is important to use stoppers on the opening and closing of the gate.** If this is not respected, there may be danger of the gate open too much in manual mode and jump out of the rail.



**It is important to use junction boxes for connections between motors, components and control board.** All cables enter and exit under the junction box and box of control board.

# 05. TROUBLESHOOTING

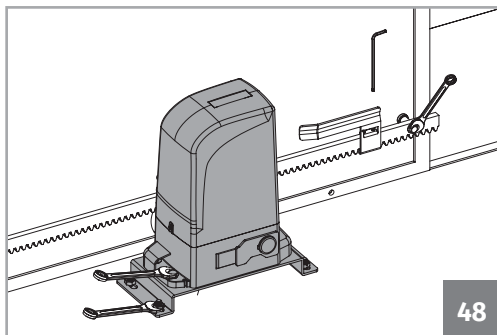
## FINAL CONSUMERS INSTRUCTIONS

## SPECIALIZED TECHNICIANS INSTRUCTIONS

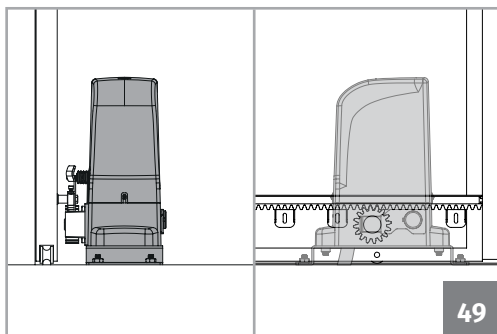
Problem	Procedure	Behavior	Procedure II	Discovering the origin of the problem			
• Motor doesn't work	• Make sure you have 230V power supply connected to control board and if it is working properly.	• Still not working	• Consult a qualified <b>MOTORLINE</b> technician.	1 • Open control board and check if it has 230V power supply; 2 • Check input fuses of the control board;	3 • Change the control board for another and check the operation of automatism.	4 • If the motor works, problem is on the control board. Pull it out and send it to our <b>MOTORLINE</b> technical services for diagnosis;	5 • If the motor doesn't work, remove them from installation site and send to our <b>MOTORLINE</b> technical services for diagnosis.
• Motor doesn't move but makes noise	• Unlock motor and move the gate by hand to check for mechanical problems on the movement.	• Encountered problems?	• Consult a qualified gates technician.	1 • Check motion axis and associated motion systems related with the motor and the gate to find out what is the problem.			
		• The gate moves easily?	• Consult a qualified <b>MOTORLINE</b> technician.	1 • Change the control board for another and check the operation of automatism.	2 • If the motor works, the problem is from control board. Pull it out and send it to our <b>MOTORLINE</b> technical services for diagnosis;	3 • If the motor doesn't work, remove them from installation site and send to our <b>MOTORLINE</b> technical services for diagnosis.	
• Motor opens but doesn't close	• Unlock motor and move the gate by hand to closed position. Lock motor again and turn of power supply for 5 seconds. Reconnect it and send order to open gate using transmitter.	• Gate opened but didn't close again..	1 • Check if there is any obstacle in front of the photocells; 2 • Check if any of the control devices (key selector, push button, video intercom, etc.) of the gate are jammed and sending permanent signal to control unit; 3 • Consult a qualified <b>MOTORLINE</b> technician.	All <b>MOTORLINE</b> control boards have LEDs that easily allow to conclude which devices are with anomalies. All safety devices LEDs (DS) in normal situations remain On. All "START" circuits LEDs in normal situations remain Off  If LEDs devices are not all On, there is some security systems malfunction (photocells, safety edges), etc. If "START" circuits LEDs are turn On, there is a control device sending permanent signal	<b>A) SECURITY SYSTEMS:</b> 1 • Close with a shunt all safety systems on the control board (check manual of the control board in question). If the automated system starts working normally check for the problematic device. 2 • Remove one shunt at a time until you find the malfunction device. 3 • Replace it for a functional device and check if the motor works correctly with all the other devices. If you find another one defective, follow the same steps until you find all the problems.	<b>B) START SYSTEMS:</b> 1 • Disconnect all wires from START terminal input. 2 • If the LED turned Off, try reconnecting one device at a time until you find the defective device.  <b>NOTE:</b> In case procedures described in sections A) and B) don't result, remove control board and send to our technical services for diagnosis;	
• Gate doesn't make complete route	• Unlock motor and move gate by hand to check for mechanical problems on the gate.	• Encountered problems?	• Consult a qualified gates technician.	1 • Check all motion axis and associated motion systems related with the gate to find out what is the problem.			
		• The gate moves easily?	• Consult a qualified <b>MOTORLINE</b> technician.	1 • Check capacitors, testing with new capacitors. 2 • If capacitors are not the problem, disconnect motor from control board and test it by connecting directly to power supply in order to find out if it is broken; 3 • f the motor doesn't work, remove it from installation site and send to our <b>MOTORLINE</b> technical services for diagnosis. 4 • If motor work well and move	gate at full force during the entire course, the problem is from controller. Set force using trimmer on the board. Make a new working time programming, giving sufficient time for opening and closing with appropriate force .  5 • If this doesn't work, remove control unit and send it to <b>MOTORLINE</b> technical services.	<b>NOTA:</b> Setting force of the controller should be sufficient to make the gate open and close without stopping, but should stop and invert with a little effort from a person. In case of safety systems failure, the gate shall never cause physical damaged to obstacles (vehicles, people, etc).	

## 06. MAINTENANCE

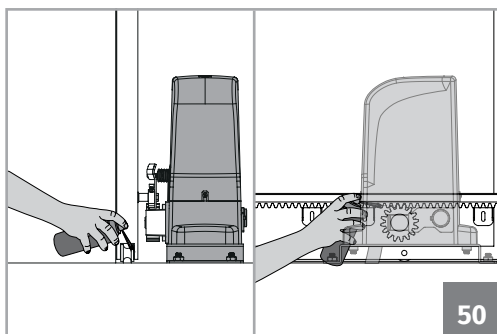
### MAINTENANCE



- Check all screws of the automation such as the fixing plate to the ground, the plates of the limit switches, motor and the gear rack.



- Check that the distance between rack and motor remains unchanged and this engages the teeth of the pinion of the engine correctly (over time can happen some distortion).



- Lubricate all systems/axis of movement of the gate. Lightly lubricate with spray the rack and pinion.



These maintenance measures must be made every 6 months to maintain the good functioning of the automatism.