

2MP HD ColorHunter IR Fixed Eyeball Network Camera

IPC3612LE-ADF28(40)KC-DL



Specifications

Camera	Description
Max Resolution	IPC3612LE-ADF28KC-DL:2MP
Sensor	IPC3612LE-ADF28KC-DL:1/2.8" CMOS
Min. Illumination	IPC3612LE-ADF28KC-DL:Colour: 0.003 lux (F1.6, AGC ON) 0 Lux with light
Day/Night	IPC3612LE-ADF28KC-DL:IR-cut filter with auto switch (ICR)
Shutter	IPC3612LE-ADF28KC-DL:Auto/Manual, 1 ~ 1/100000s
Adjustment Angle	IPC3612LE-ADF28KC-DL:Pan: 0° ~ 360°, Tilt: 0° ~ 80°, Rotate: 0° ~ 360°
S/N	IPC3612LE-ADF28KC-DL:>52dB
WDR	IPC3612LE-ADF28KC-DL:120dB

Lens	Description
Focal Length	IPC3612LE-ADF28KC-DL:2.8 mm
Iris Type	IPC3612LE-ADF28KC-DL:Fixed
Iris	IPC3612LE-ADF28KC-DL:F1.6
Field of View (H)	IPC3612LE-ADF28KC-DL:106.7°
Field of View (V)	IPC3612LE-ADF28KC-DL:57.1°
Field of View (D)	IPC3612LE-ADF28KC-DL:115.7°
DORI	Description
DORI Distance (Lens)	IPC3612LE-ADF28KC-DL:2.8mm
DORI Distance (Detect)	IPC3612LE-ADF28KC-DL:43.4m(142.4ft)
DORI Distance (Observe)	IPC3612LE-ADF28KC-DL:17.4m(57.1ft)
DORI Distance (Recognize)	IPC3612LE-ADF28KC-DL:8.7m(28.5ft)
DORI Distance (Identify)	IPC3612LE-ADF28KC-DL:4.3m(14.1ft)
Illuminator	Description
Supplemental Light	IPC3612LE-ADF28KC-DL:Dual Light
Illumination Distance (IR)	IPC3612LE-ADF28KC-DL:30 m (98.4 ft)
Illumination Distance (Warm Light)	IPC3612LE-ADF28KC-DL:30 m (98.4 ft)
Wavelength	IPC3612LE-ADF28KC-DL:850 nm
Light On/Off Control	IPC3612LE-ADF28KC-DL:Auto/Manual
Video	Description
Video Compression	IPC3612LE-ADF28KC-DL:Ultra 265; H.265; H.264; MJPEG
H.264 Code Profile	IPC3612LE-ADF28KC-DL:Baseline profile, Main profile, High profile
Frame Rate	IPC3612LE-ADF28KC-DL:Main Stream: 1080P (1920*1080), Max 30fps; 720P (1280*720), Max 30fps; Sub Stream: 720P (1280*720), Max 30fps; D1 (720*576), Max 30fps; 640*360,Max 30fps;
Video Bit Rate	IPC3612LE-ADF28KC-DL:128 Kbps ~ 6144 Kbps
U-code	IPC3612LE-ADF28KC-DL:Support
OSD	IPC3612LE-ADF28KC-DL:Up to 4 OSDs
Privacy Mask	IPC3612LE-ADF28KC-DL:Up to 4 areas
ROI	IPC3612LE-ADF28KC-DL:Support
Video Stream	IPC3612LE-ADF28KC-DL:Dual Streams

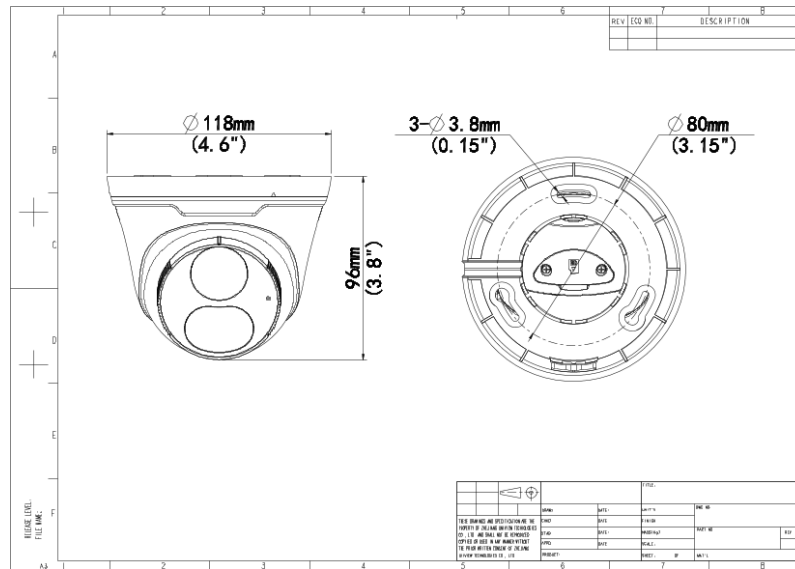
Image	Description
White Balance	IPC3612LE-ADF28KC-DL:Auto; Outdoor; Fine Tune; Sodium Lamp; Locked; Auto2
Digital Noise Reduction	IPC3612LE-ADF28KC-DL:2D/3D DNR
Smart IR	IPC3612LE-ADF28KC-DL:Support
Flip	IPC3612LE-ADF28KC-DL:Normal; Flip Vertical; Flip Horizontal; 180°; 90°Clockwise; 90°Anti-clockwise
Dewarping	IPC3612LE-ADF28KC-DL:N/A
HLC	IPC3612LE-ADF28KC-DL:Support
BLC	IPC3612LE-ADF28KC-DL:Support
Defog	IPC3612LE-ADF28KC-DL:Digital Defog
Events	Description
Basic Detection	IPC3612LE-ADF28KC-DL:Motion Detection; Ultra Motion Detection; Tampering Alarm; Audio Detection; Intrusion (based on Human Body Detection); Cross line
General Function	IPC3612LE-ADF28KC-DL:Watermark; IP Address Filtering; Access Policy; ARP Protection; RTSP Authentication; User Authentication; HTTP Authentication
Audio	Description
Audio Compression	IPC3612LE-ADF28KC-DL:G.711U; G.711A
Audio Bitrate	IPC3612LE-ADF28KC-DL:64 Kbps
Two-way Audio	IPC3612LE-ADF28KC-DL:Support
Suppression	IPC3612LE-ADF28KC-DL:Support
Sampling Rate	IPC3612LE-ADF28KC-DL:8 KHz
Storage	Description
Edge Storage	IPC3612LE-ADF28KC-DL:Micro SD, up to 512 GB
Network Storage	IPC3612LE-ADF28KC-DL:ANR; NAS (NFS)
Network	Description
Protocols	IPC3612LE-ADF28KC-DL:IPv4; IGMP; ICMP; ARP; TCP; UDP; DHCP; RTP; RTSP; RTCP; RTMP; DNS; DDNS; NTP; FTP; UPnP; HTTP; HTTPS; SMTP; SSL/TLS; SNMP; QoS
Compatible Integration	IPC3612LE-ADF28KC-DL:ONVIF (Profile S, Profile G, Profile T); API; SDK
User/Host	IPC3612LE-ADF28KC-DL:Up to 32 users, 2 user levels: administrator and common user
Security	IPC3612LE-ADF28KC-DL>Password Protection; Strong Password; HTTPS Encryption; Export Operation Logs; Basic and Digest Authentication for RTSP; Digest Authentication for HTTP; TLS 1.2; WSSE and Digest Authentication for ONVIF

Client	IPC3612LE-ADF28KC-DL:UNV-Link; UNV-Link Pro; EZStation
Web Browser	IPC3612LE-ADF28KC-DL:Plug-in required live view: IE 10 and above, Chrome 45 and above, Firefox 52 and above, Edge 79 and above; Plug-in free live view: Chrome 57.0 and above, Firefox 58.0 and above, Edge 16 and above
Interface	Description
Audio I/O	IPC3612LE-ADF28KC-DL:N/A
Alarm I/O	IPC3612LE-ADF28KC-DL:N/A
Serial Port	IPC3612LE-ADF28KC-DL:N/A
Built-in Mic	IPC3612LE-ADF28KC-DL:Support
Built-in Speaker	IPC3612LE-ADF28KC-DL:Support
WIFI	IPC3612LE-ADF28KC-DL:N/A
Network	IPC3612LE-ADF28KC-DL:1 x RJ45 10M/100M Base-TX Ethernet
Video Output	IPC3612LE-ADF28KC-DL:N/A
Certification	Description
EMC	IPC3612LE-ADF28KC-DL:CE-EMC (EN 55032, EN 61000-3-3, EN IEC 61000-3-2, EN 50130) FCC (FCC 47 CFR part15 B)
Safety	IPC3612LE-ADF28KC-DL:CE LVD (EN 62368-1) UL/CUL (UL 62368-1, CAN/CSA C22.2 No. 62368-1)
Environment	IPC3612LE-ADF28KC-DL:CE-RoHS (2011/65/EU;(EU)2015/863); WEEE (2012/19/EU);
Protection	IPC3612LE-ADF28KC-DL:IP67 (IEC 60529)
General	Description
Power	IPC3612LE-ADF28KC-DL:DC 12V ± 25%, PoE (IEEE 802.3af)
Power Interface	IPC3612LE-ADF28KC-DL:Ø 5.5 mm coaxial power plug
Dimensions	IPC3612LE-ADF28KC-DL:Ø118 x 95mm (Ø4.6" x 3.8") (Ø x H)
Weight	IPC3612LE-ADF28KC-DL:0.32kg (0.71lb)
Material	IPC3612LE-ADF28KC-DL:Metal + Plastic
Working Environment	IPC3612LE-ADF28KC-DL:-30 °C ~ 60 °C (-22 °F ~ 140 °F), Humidity: ≤95% RH (non-condensing)
Storage Environment	IPC3612LE-ADF28KC-DL:-30 °C ~ 60 °C (-22 °F ~ 140 °F), Humidity: ≤95% RH (non-condensing)
Surge Protection	IPC3612LE-ADF28KC-DL:4KV
Reset Button	IPC3612LE-ADF28KC-DL:Support

Web Client Language

 IPC3612LE-ADF28KC-DL:4 Languages
 English, Russian, Spanish, Vietnamese

Dimensions



Accessories

TR-JB03-I-IN

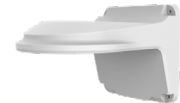
Junction Box for Plastic Turret Camera(Support wiring from behind)


TR-JB07/WM03-G-IN

Wall Mounting Assembling Bracket F or 32 Fix-dome&Mini Fix-dome&Plastic Turret Camera


TR-WM03-D-IN

Wall Mounting Bracket for 32 Fix-dome&Mini Fix-dome&Plastic Turret Camera


TR-A01-IN

NPT 3/4" Waterproof Cable Gland


TR-UP06-IN

Universal Pole Mounting Bracket


TR-UC08-C

Bullet&Dome Corner Mounting Bracket



TR-SE24-IN

Dome Pendent Mounting Pole 200m

m



TR-SE24-A-IN

Dome Pendent Mounting Pole 500m

m



TR-CM24-IN

Dome Pendent Mounting Bracket(Indoor

)



Zhejiang Uniview Technologies Co., Ltd.

No. 369, Xietong Road, Xixing Sub-district, Binjiang District, Hangzhou City, 310051, Zhejiang Province, China (Zhejiang) Pilot Free Trade Zone, China

Email: overseasbusiness@uniview.com; globalsupport@uniview.com

<http://www.uniview.com>

©2024 Zhejiang Uniview Technologies Co., Ltd. All rights reserved.

*Product specifications and availability are subject to change without notice.

*Despite our best efforts, technical or typographical errors may exist in this document. Uniview cannot be held responsible for any such errors and reserves the right to change the contents of this document without prior notice.