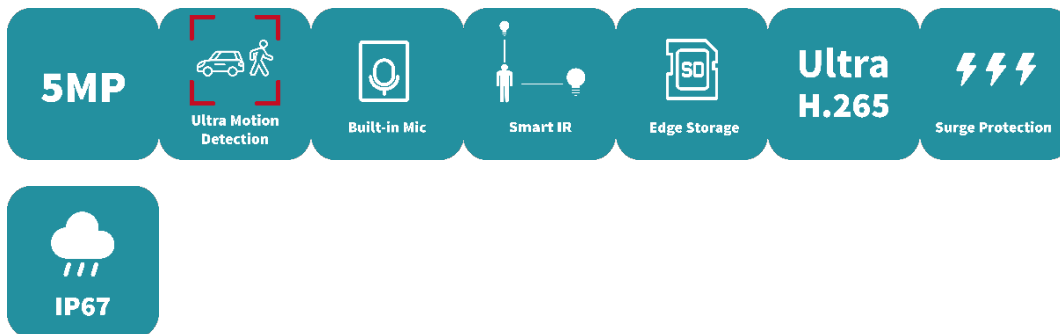


5MP HD Outdoor Bullet Wi-Fi Camera

Uho-B2D-M5F3(4)D



Features

- High quality image with 5MP, 1/3"CMOS sensor
- 5MP (2880*1620)@25/20fps; 4MP (2560*1440)@25/20fps; 3MP (2304*1296)@30/25fps; 2MP (1920*1080)@30/25fps; 720P (1280*720)@30/25fps
- Ultra 265, H.265, H.264, MJPEG
- Built-in Mic
- Built-in Speaker
- Smart IR, up to 20m (66ft) IR distance
- Warm Light, up to 10m (33ft) warm light distance
- Support Dual Light mode, switch between IR and warm lights when the preset is triggered.
- Support 512 GB Micro SD card
- Wi-Fi connection and easy installation
- IP67 protection

- 3-Axis

Specifications

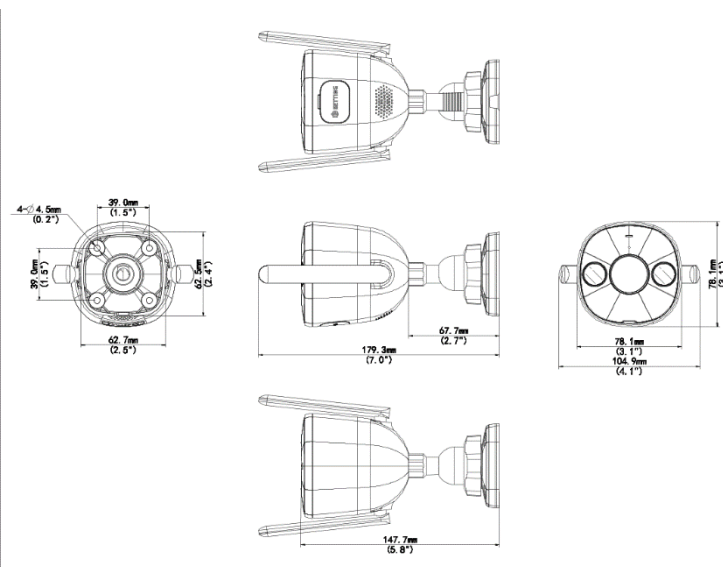
Camera	Description
Max Resolution	5MP
Sensor	1/3.0" CMOS
Min. Illumination	Colour: 0.003 lux (F1.6 AGC ON) 0 lux with IR on
Day/Night	IR-cut filter with auto switch (ICR)
Shutter	Auto/Manual, 1 ~ 1/100000s
Adjustment Angle	Pan: 0° ~ 360°, Tilt: 0° ~ 90°, Rotate: 0° ~ 360°
S/N	>52dB
WDR	DWDR
Lens	Description
Focal Length	Uho-B2D-M5F3D:2.8 mm Uho-B2D-M5F4D:4.0 mm
Iris Type	Fixed
Iris	F1.6
Field of View (H)	Uho-B2D-M5F3D:97.0° Uho-B2D-M5F4D:79.0°
Field of View (V)	Uho-B2D-M5F3D:52.6° Uho-B2D-M5F4D:42.3°
Field of View (D)	Uho-B2D-M5F3D:107.5° Uho-B2D-M5F4D:85.1°
DORI	Description
DORI Distance (Lens)	Uho-B2D-M5F3D:2.8mm Uho-B2D-M5F4D:4.0mm
DORI Distance (Detect)	Uho-B2D-M5F3D:63.0 Uho-B2D-M5F4D:90.0
DORI Distance (Observe)	Uho-B2D-M5F3D:25.2 Uho-B2D-M5F4D:36.0
DORI Distance (Recognize)	Uho-B2D-M5F3D:12.6

	Uho-B2D-M5F4D:18.0
DORI Distance (Identify)	Uho-B2D-M5F3D:6.3 Uho-B2D-M5F4D:9.0
Illuminator	Description
Supplemental Light	Dual Light
Illumination Distance (IR)	20 m (65.6 ft)
Illumination Distance (Warm Light)	10 m (32.8 ft)
Wavelength	850 nm
IR On/Off Control	Auto/Manual
Video	Description
Video Compression	Ultra 265; H.265; H.264; MJPEG
H.264 Code Profile	Baseline profile, Main profile, High profile
Frame Rate	Main Stream: 5MP (2880*1620), Max 25fps; 4MP (2560*1440), Max 25fps; 3MP (2304*1296), Max 25fps; 2MP (1920*1080), Max 30fps; 720P (1280*720), Max 30fps; Sub Stream: 720P (1280*720), Max 30fps; 640*360,Max 30fps; 2CIF(704*288), Max 30fps; CIF(352*288), Max 30fps;
Video Bit Rate	128 Kbps ~ 6144 Kbps
U-code	Support
OSD	Up to 4 OSDs
Privacy Mask	Support (Only NVR)
ROI	Up to 8 areas
Video Stream	Dual Streams
Image	Description
White Balance	Auto; Outdoor; Fine Tune; Sodium Lamp; Locked; Auto2
Digital Noise Reduction	2D/3D DNR
Smart IR	Support
Flip	Normal; Flip Vertical; Flip Horizontal; 180°
Dewarping	N/A
HLC	N/A
BLC	N/A
Defog	Digital Defog

Events	Description
Basic Detection	Motion Detection; Ultra Motion Detection; Audio Detection; Tampering Alarm
General Function	IP Address Filtering; Access Policy; ARP Protection; RTSP Authentication; User Authentication; HTTP Authentication
Audio	Description
Audio Compression	G.711U; G.711A
Audio Bitrate	64 Kbps
Two-way Audio	Support
Suppression	Support
Sampling Rate	8 KHz
Storage	Description
Edge Storage	Micro SD, up to 512 GB
Network Storage	ANR
Network	Description
Wi-Fi	2.4G Wi-Fi (IEEE802.11b/g/n), built-in antenna
Protocols	IPv4; TCP; UDP; DHCP; RTSP; DNS; DDNS; NTP; HTTP
Compatible Integration	API; SDK
User/Host	Up to 32 users, 2 user levels: administrator and common user
Client	Uniarch Client; Uniarch app
Web Browser	Plug-in required live view: IE 10 and above, Chrome 45 and above, Firefox 52 and above, Edge 79 and above
Wi-Fi	Description
Wireless Standards	IEEE802.11b/g/n
Frequency Range	2.4 GHz ~ 2.4835 GHz
Channel Bandwidth	20 MHz Support
Modulation Mode	802.11b: CCK, QPSK, BPSK 802.11g/n: OFDM/HT
Wi-Fi Security	64/128-bit WEP, WPA-PSK/WPA2-PSK
Transmit Power	802.11b: $17 \pm 1.5\text{dBm}$ @11Mbps 802.11g: $14 \pm 1.5\text{dBm}$ @ 54Mbps 802.11n: $12.5 \pm 1.5\text{dBm}$ @150Mbps
Receive Sensitivity	802.11b: -90dBm @11Mbps (Typical) 802.11g: -75dBm @54Mbps (Typical)

	802.11n: -74dBm @150Mbps (Typical)
Transmission Rate	802.11b: 11Mbps 802.11g: 54Mbps 802.11n: up to 150Mbps
Interface	Description
Audio I/O	N/A
Alarm I/O	N/A
Built-in Mic	Support
Video Output	N/A
Built-in Speaker	Support
WIFI	Support
Network	1 x RJ45 10M/100M Base-TX Ethernet
Certification	Description
EMC	CE-EMC (EN 55032, EN 61000-3-3, EN IEC 61000-3-2, EN 55035) FCC (FCC 47 CFR part15 B)
RF	FCC ID (FCC CFR 47 part15 C)CE RED (EN 301 489-1, EN 301 489-17, EN 300 328, EN 62311)
Safety	CE LVD (EN 62368-1)
Environment	CE-RoHS (2011/65/EU;(EU)2015/863); WEEE (2012/19/EU);
Protection	IP67 (IEC 60529)
General	Description
Power	DC 12V ±25% Power consumption: Max 5.7W
Power Interface	Ø 5.5 mm coaxial power plug
Material	Metal + Plastic
Dimensions	148 × 78 × 78mm (5.8" × 3.1" × 3.1")
Weight	0.31 kg (0.68 lb)
Working Environment	-30 °C ~ 60 °C (-22 °F ~ 140 °F), Humidity: ≤95% RH (non-condensing)
Storage Environment	-30 °C ~ 60 °C (-22 °F ~ 140 °F), Humidity: ≤95% RH (non-condensing)
Surge Protection	4KV
Reset Button	Support
LED Indicator	1, red/blue

Dimensions

**Zhejiang Uniview Technologies Co., Ltd.**

No. 369, Xietong Road, Xixing Sub-district, Binjiang District, Hangzhou City, 310051, Zhejiang Province, China

Email: overseasbusiness@uniview.com; globalsupport@uniview.com

<http://www.uniview.com>

©2024 Zhejiang Uniview Technologies Co., Ltd. All rights reserved.

*Product specifications and availability are subject to change without notice.

*Despite our best efforts, technical or typographical errors may exist in this document. Uniview cannot be held responsible for any such errors and reserves the right to change the contents of this document without prior notice.