

Hi-NK-4288T HiLook 4K PoE Turret Kit

Key Feature

- One pack contains everything required for small monitoring scenarios
- One 8-channel PoE NVR with decoding up to 4-ch @ 1080p
- Four 4K fixed bullet network cameras with efficient H.265 compression technology
- 5 network cables
- 2 TB pre-installed HDD



Camera

- 1/2.8" Progressive Scan CMOS
- 3840 × 2160@15 fps
- 2.8 mm fixed lens
- Color: 0.01 Lux
- 3D Digital Noise Reduction

NVR

- Up to 8-ch network camera inputs
- 1-ch@8 MP (30 fps)/3-ch@4 MP (30 fps)/6-ch@1080p (30 fps) decoding capability
- HDMI/VGA output with up to 4096 × 2160 resolution
- HiLookVision for easy network management

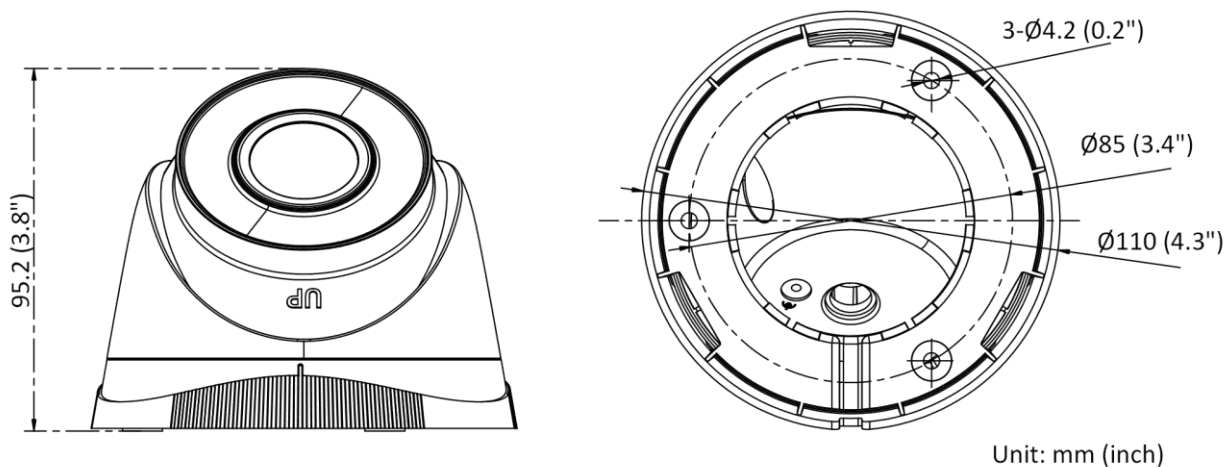
▪ Specification

Kit Model	Hi-NK-4288T
Camera Model	4 × IPC-T280H (2.8 mm)
NVR Model	Hi-NVR-108/8P
Camera	
Camera Case Type	Turret
Image Sensor	1/2.8" Progressive Scan CMOS
Min. Illumination	0.01 Lux
Shutter Speed	1/3 s to 1/100,000 s
Day & Night	IR cut filter
WDR	120 dB WDR
Angle Adjustment	Pan: 0° to 360°, tilt: 0° to 75°, rotate: 0° to 360°
Protection Level	IP67
Material	Metal & Plastic
Wi-Fi Support	No
Lens	
Focal Length	2.8 mm
Aperture	F2.0
Focus	Fixed
FOV	horizontal FOV 108°, vertical FOV 60°, diagonal FOV 127°
Lens Mount	M12
IR	
IR Range	Up to 30 m
Compression Standard	
Video Compression	Main stream: H.265+/H.264+/H.265/H.264 Sub-stream: H.265/H.264/MJPEG
H.264 Type	Main Profile/High Profile/Baseline Profile
H.264+	Main Profile
H.265 Type	Main Profile
H.265+	Main Profile
Video Bit Rate	32 Kbps to 16 Mbps
Image	
Max. Resolution	8MP
Main Stream	50 Hz: 12.5 fps (3840 × 2160), 20 fps (2592 × 1944), 25 fps (2688 × 1520, 1920 × 1080, 1280 × 720) 60 Hz: 15 fps (3840 × 2160), 20 fps (2592 × 1944), 30 fps (2688 × 1520, 1920 × 1080, 1280 × 720)
Sub-stream	50 Hz: 25 fps (1280 × 720, 640 × 480, 640 × 360) 60 Hz: 30 fps (1280 × 720, 640 × 480, 640 × 360)
Image Setting	Mirror, rotate, saturation, brightness, contrast, sharpness, gain, white balance adjustable by client software or web browser
Day/Night Switch	Auto/Scheduled/Day/Night
Network	
Alarm Trigger	Motion detection, video tampering alarm, exception
Protocols	TCP/IP, ICMP, DHCP, DNS, DDNS, HTTP, HTTPS, RTP, RTSP, NTP, UPnP, IGMP, IPv6, UDP, QoS, Bonjour, FTP, 802.1x, SMTP

General Function	Anti-flicker, heartbeat, password protection, password reset via email
Client	iVMS-4200, GuardingVision
Interface	
Communication Interface	1 RJ45 10M/100M self-adaptive Ethernet port
On-board Storage	N/A
Audio I/O	No
Video Out	No
Alarm I/O	No
Reset Button	No
General	
Power Supply	12 VDC \pm 25%, Φ 5.5 mm coaxial plug power, or PoE (802.3af, class 3)
Consumption	12 VDC \pm 25%, 0.4 A, max. 5 W, or PoE: 802.3af, Class 3, 36 V to 57 V, 0.2 A to 0.15 A, max. 6.5 W
Working Temperature	-30 °C to 60 °C (-22 °F to 140 °F)
Working Humidity	95% or less (non-condensing)
Dimension (W \times D \times H)	150 mm \times 150 mm \times 141 mm (5.9" \times 5.9" \times 5.6")
Weight	Approx. 270 g (0.6 lb)
NVR	
Video and Audio	
IP Video Input	8-ch
Incoming/Outgoing Bandwidth	80 Mbps/80 Mbps
HDMI/VGA Output	HDMI:4K (4096 \times 2160) /30Hz, 4K (3840 \times 2160) /30Hz, 2K (2560 \times 1440) /60Hz 1920 \times 1080/60Hz, 1600 \times 1200/60Hz, 1280 \times 1024/60Hz, 1280 \times 720/60Hz VGA:1920 \times 1080/60Hz, 1280 \times 1024/60Hz, 1280 \times 720/60Hz
Decoding	
Decoding Format	H.265+,H.265,H.264+,H.264
Capability	1-ch@8 MP (30 fps)/3-ch@4 MP (30 fps)/6-ch@1080p (30 fps)
Recording resolution	8 MP/6 MP/5 MP/4 MP/3 MP/1080p/UXGA/ 720p/VGA/4CIF/DCIF/2CIF/CIF/QCIF
Synchronous playback	8-ch
Network	
Network Interface	1, RJ45 10/100M Ethernet interface
Network Protocol	TCP/IP, DHCP, IPv4, IPv6, DNS, DDNS, NTP, RTSP, SADP, SMTP, SNMP, NFS, iSCSI, ISUP, UPnP™, HTTP, HTTPS
Remote Connection	32
PoE	
Interface	8-ch
Power	\leq 75 W
Standard	IEEE 802.3 af/at
Auxiliary Interface	
SATA	1
Capacity	Up to 8 TB capacity for each disk
USB Interface	Rear panel: 2 \times USB 2.0
Alarm In/Out	No

General	
Power Supply	48 VDC
Consumption (without HDD and PoE off)	≤ 10 W (without HDD and PoE off)
Working Temperature	-10 °C to 55 °C (14 °F to 131 °F)
Working Humidity	10% to 90%
Dimension (W × D × H)	265 × 225 × 48 mm (10.4" × 8.9" × 1.9")
Weight (without hard disk)	≤ 1 kg (2.2 lb)
Kit	
Accessories	Power: 1 power cable Network cable: 6 × 18 m (59.1 ft) video and power cable、 1 × 1 m (3.3 ft) video and power cable: 1 HDMI cable
Hard Drive	Pre-installed 2 TB HDD
Certification	CE
Weight (with package)	≤ 7.5 kg (16.5 lb)

▪ Camera Dimension



▪ Accessory



HIA-B301
Vertical Pole Mount



HIA-J101
Junction Box

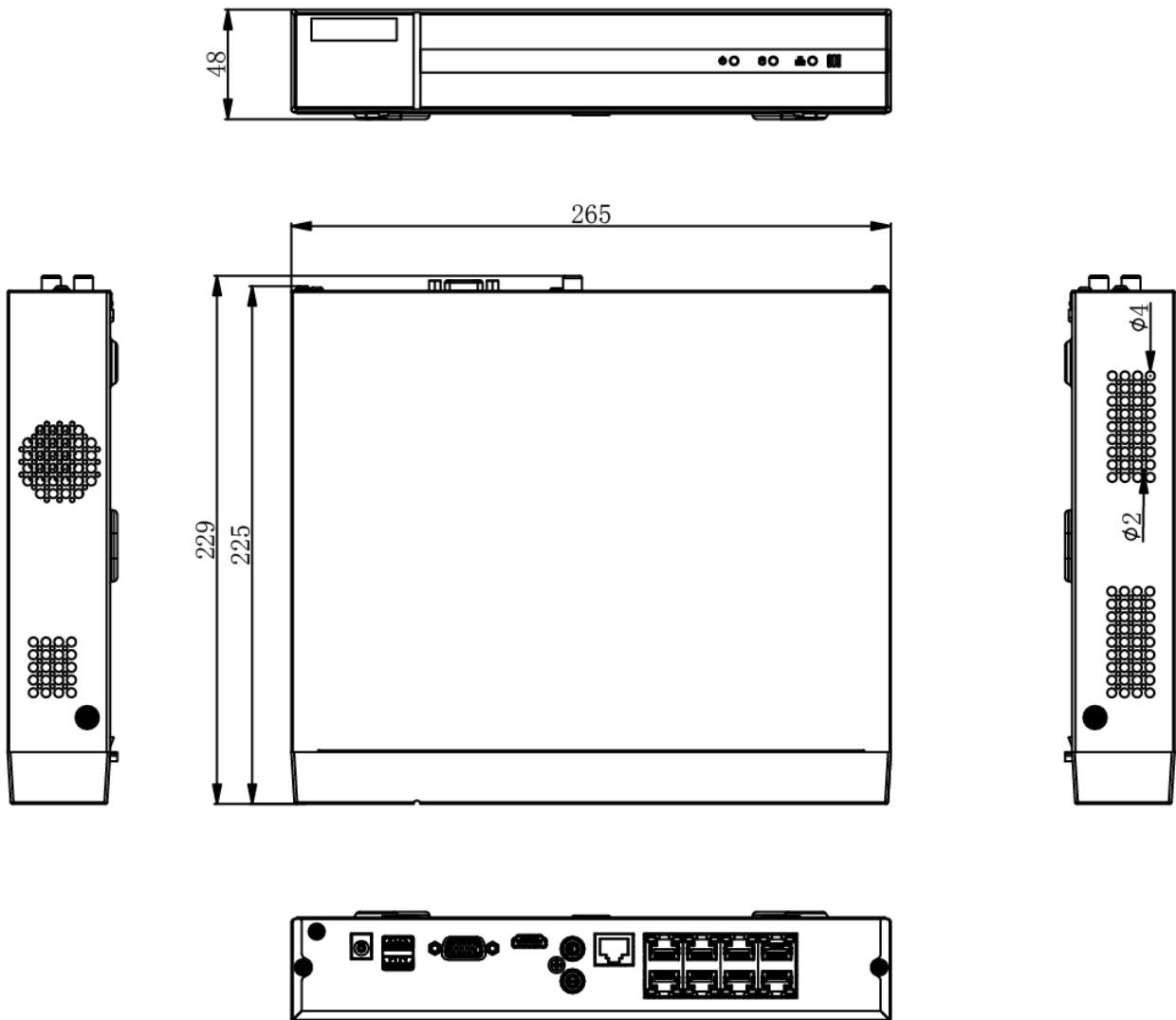


HIA-B401-110T
Wall Mount



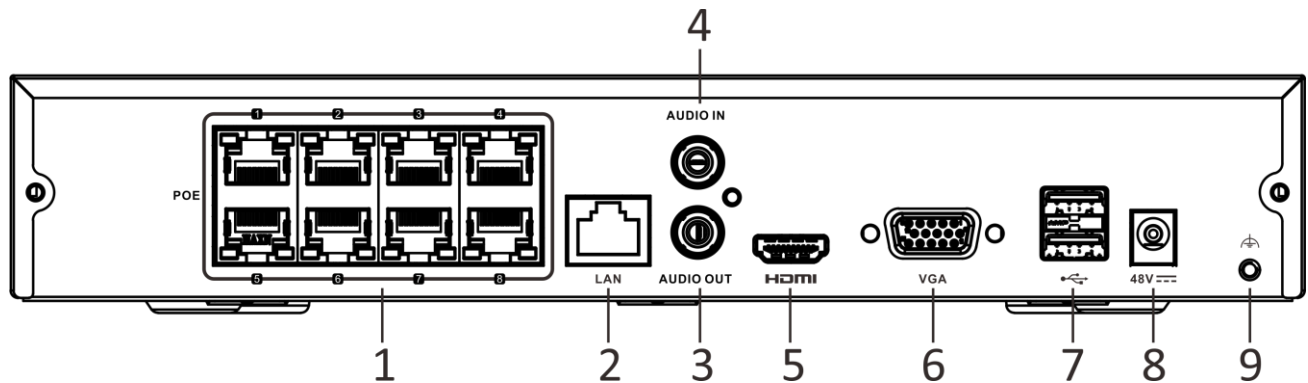
HIA-B201
Corner Mount

▪ NVR Dimension



scale/1:1;Unit/mm

Physical Interface



No.	Description	No.	Description
1	PoE Interface	6	VGA Output (DB9 Connector)
2	LAN Interface	7	USB Interface
3	AUDIO OUT	8	Power Supply
4	AUDIO IN	9	GND
5	HDMI Interface		

Available Model

DS-J142I/Hi-NK-4288T

Headquarters

No.555 Qianmo Road, Binjiang District,
Hangzhou 310051, China
T +86-571-8807-5998
Technical Support: support@hikvision.com

Follow us on social media to get the latest product and solution information.



Hikvision



HikvisionHQ



HikvisionHQ



Hikvision_Global



Hikvision
Corporate Channel



hikvisionhq